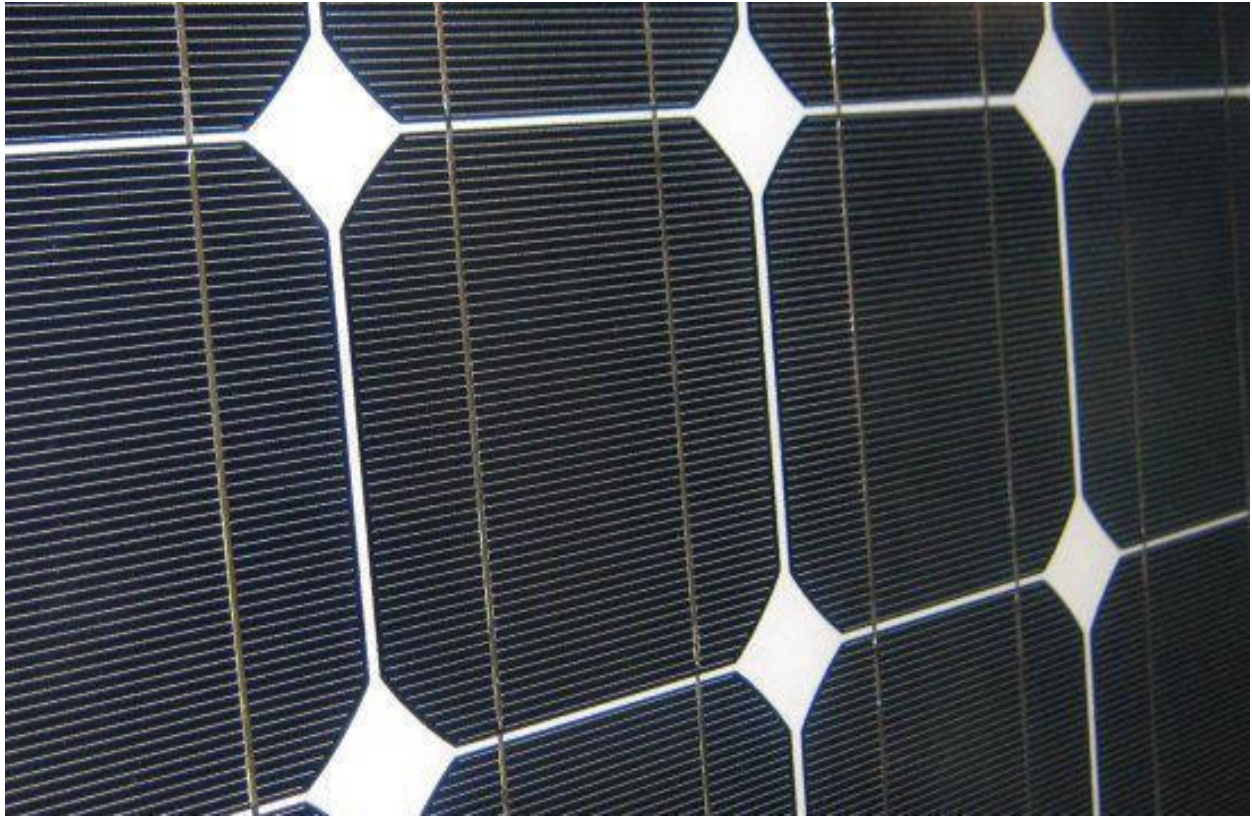




**275W/24V MONO SOLAR PANELS
WITH PEROVSKITE CIGS TANDEM
ADVANCED CELL TECHNOLOGY**

PSC MDL-305

PSC SOLAR (UK)



MONO CRYSTALLINE SOLAR PANELS

- SUPER HIGH-EFFICIENCY MONO CRYSTALLINE SOLAR PANELS
- CELL EFFICIENCIES OF UP TO 33%
- HIGH CHARGING CURRENT 9A
- ADVANCED LOWLIGHT TECHNOLOGY
- PEROVSKITE CIGS TANDEM ADVANCED CELL TECHNOLOGY
- HIGH POWER DENSITY + W/M²
- 25YEAR WARRANTY
- 24V, 48V AVAILABLE
- MADE IN THE UK

QUALIFICATIONS & CERTIFICATES

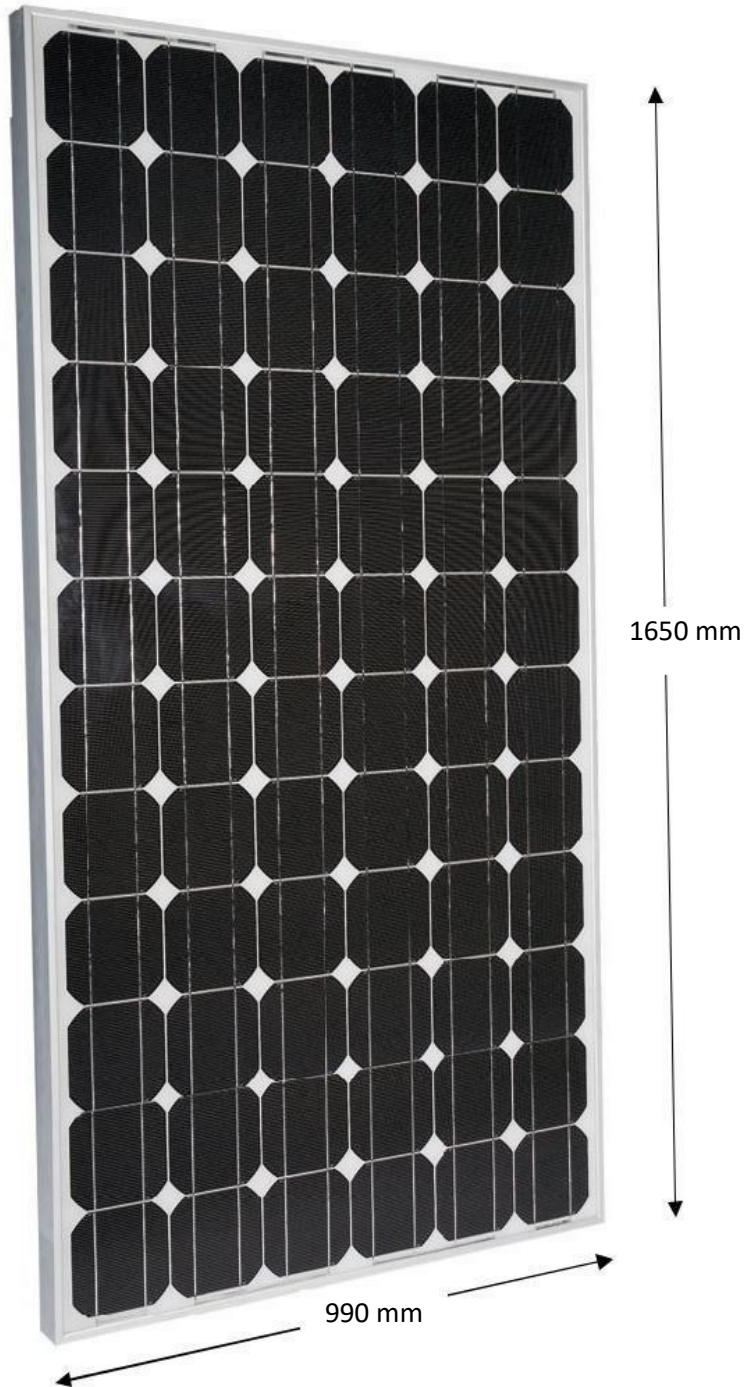
IEC 61215, IEC 61730, CE MCS, ISO 9001:2008, ISO 14001:2004, BS OHSAS 18001:2007, PV Cycle, SA 8000

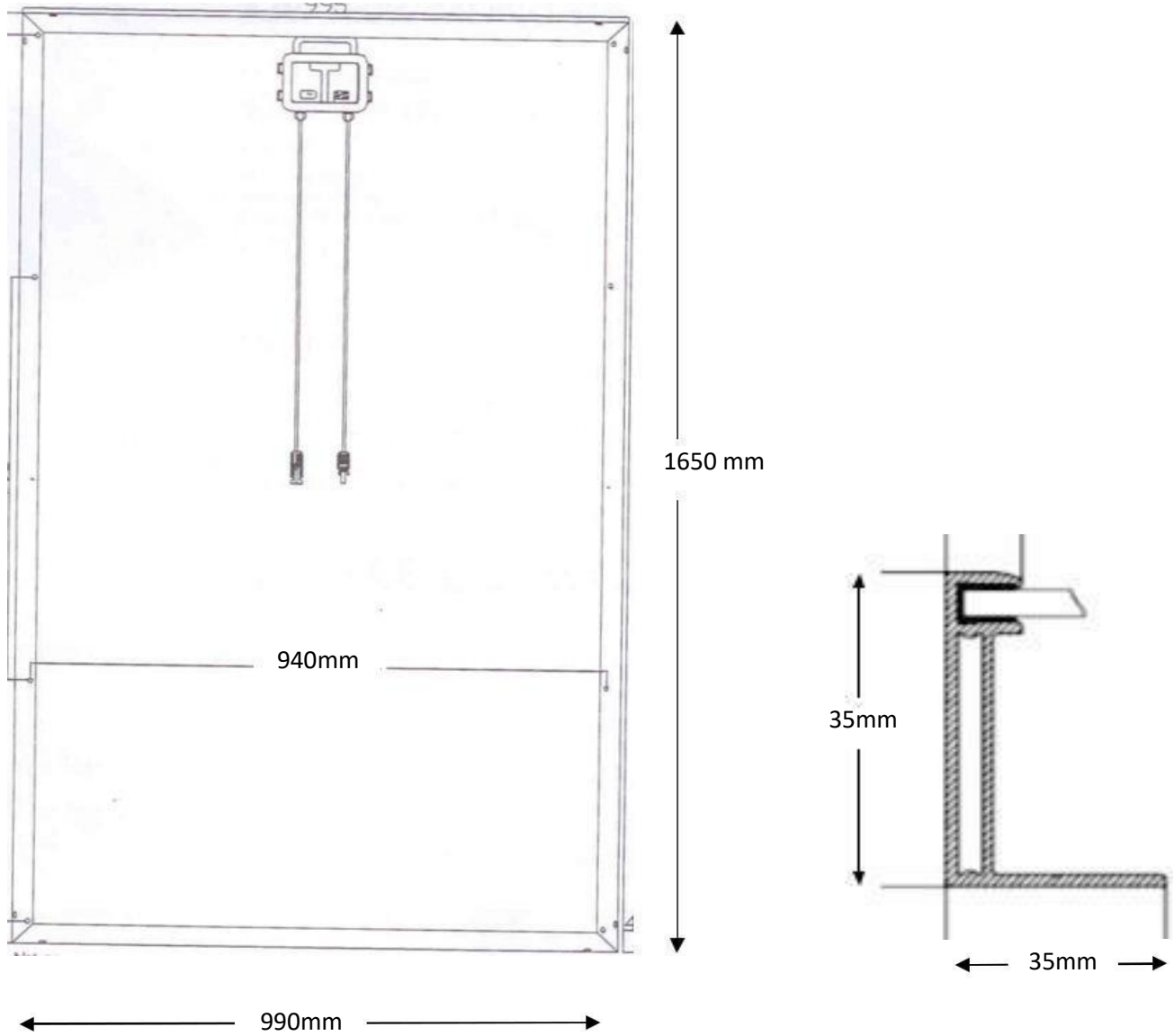
PV Module Performances

(Test Condition: 1000W/m^2 , AM1.5, 25°C)

Type		Super high efficiency 275w /24v PSC MDL-305
Silicon Parameter		
Silicon Type		Mono-crystalline silicon
Maximum Power	Watt	275w
Production tolerance		$\pm 5\%$ (power)
Maximum Power Voltage	V	31.2
Maximum power current	A	8.89
Open circuit voltage	V	37.56
Short circuit current	A	9.30
Cell efficiency	%	26.88
Module efficiency	%	25.50
Size of module (W x H)		1650mm X 990mm X 35mm
Frame(type, material and thickness)		Anodised Alu. Alloy frame, 35mm thick
Number of cells		60pcs
Size of cell		156mm X 156mm
Weight per piece		22kg
Type of junction box		PV junction box
Cable type and length, Connector type		PV cable, 0.9m Plug and socket
Maximum system voltage		1000v
Temperature coefficient of Isc		$+3.6\text{mA} / ^\circ\text{C}$
Temperature coefficient of Voc		$-0.1567\text{V} / ^\circ\text{C}$
Temperature coefficient of Pm		$-0.5358\% / ^\circ\text{C}$
Nominal Operating cell temperature (NOCT)		$47^\circ\text{C}(\pm 2^\circ\text{C})$
Wind Bearing		60m/s(200kg/sq.m)
Impact Resistance Hail Impact Test		227g steel ball fall down from 1m height
Quality guarantee		35years
FF(%)		68% - 72%
Packing		Carton pallet

PSC-MDL-305	SOLAR MODULE	Contract Number	
		Delivery date	





Collins	2014-07-14	Audit	Lihaiyang	2014-07-14
Benning	2014-07-14			