



Polycrystalline Module Models

GP-170P-36 GP-160P-36 GP-150P-36

Electrical Specifications

*STC : Irradiance 1000W/m², AM1.5 spectrum, module temperature 25°C

Model type	GP-170P-36	GP-160P-36	GP-150P-36
Peak power (Pmax)	170W	160W	150W
Cell Efficiency	19.99%	18.81%	17.64%
Maximum power voltage (Vmp)	19.8V	19.2V	18.7V
Maximum power current (Imp)	8.56A	8.33A	8.02A
Open circuit voltage (Voc)	23.3V	22.8V	22.3V
Short circuit current (Isc)	9.02A	8.81A	8.51A
Power Tolerance	±3%		
Maximum system voltage	1000V		
Series fuse rating (A)	12		
Number of bypass diode	2		



Temperature Coefficients

Current Temperature Coefficient $\alpha(Isc)$	0.08%/°C
Voltage Temperature Coefficient $\beta(Voc)$	-0.32%/°C
Power Temperature Coefficient	-0.38%/°C
Nominal Temperature Of Cells(NOTC)	46±2°C
Application Temperature Range	-40~+85°C

Mechanical Characteristics

Dimensions:	1480 x 670 x 35mm (58.3x26.38x1.38 inch)
Weight:	10.7 kg (23.75 lbs)
Solar Cells:	36 cells in series(4 x 9)
Construction:	High-transmission low-iron tempered glass , EVA, TPT/TPE
Frame:	Anodized aluminum is mainly for improving corrosion resistance. Color: silver

Output

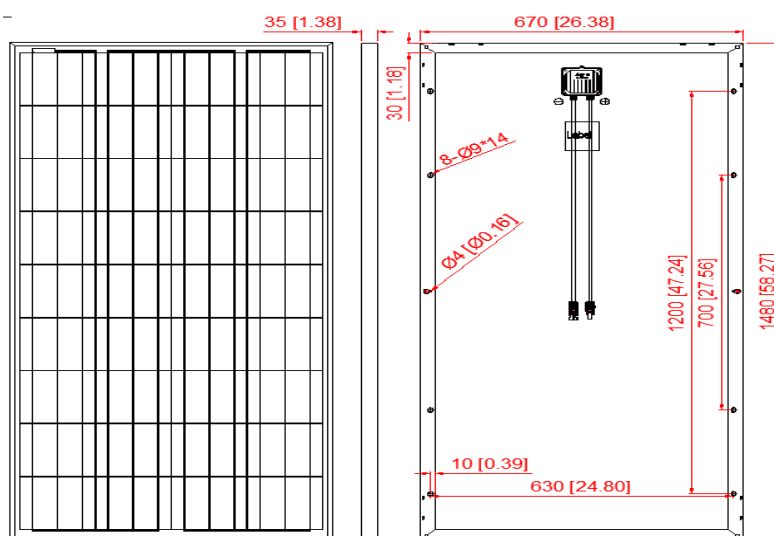
Cable	LAPP(4 mm ²)
Lengths	900mm(-) and 900mm(+)
Connector	MC Plug Type IV

Module Warranty:

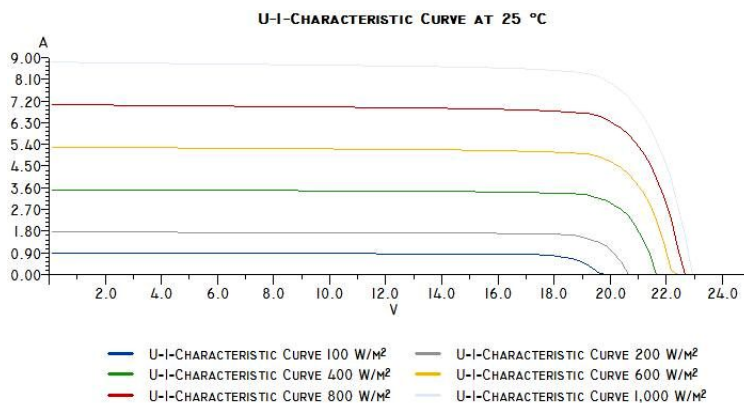
- 25-year limited warranty of 80% power output;
- 10-year limited warranty of 90% power output;
- 10-year limited warranty of materials and workmanship.

Note: This publication summarizes product warranty and Specifications which are subject to change without notice

Product photos are for reference only, on behalf of actual product.



Module Diagram



Electrical Performance