



Gi-Power

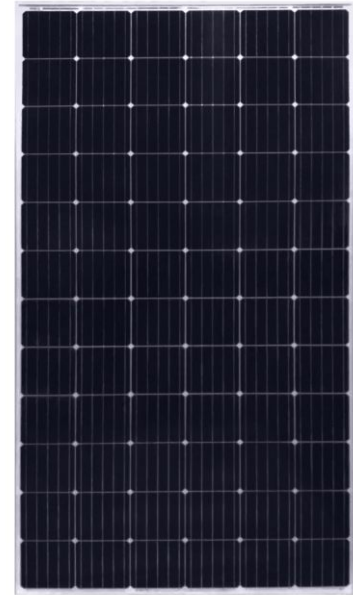
Monocrystalline Module Models

GP-200M-72 GP-190M-72 GP-180M-72

Electrical Specifications

*STC : Irradiance 1000W/m², AM1.5 spectrum, module temperature 25°C

Model type	GP-200M-72	GP-190M-72	GP-180M-72
Peak power (Pmax)	200W	190W	180W
Cell Efficiency	18.48%	17.56%	16.63%
Maximum power voltage (Vmp)	37.0V	36.3V	35.7V
Maximum power current (Imp)	5.41A	5.23A	5.04A
Open circuit voltage (Voc)	45.2V	44.8V	44.6V
Short circuit current (Isc)	5.78A	5.63A	5.50A
Power Tolerance		±3%	
Maximum system voltage		1000V	
Series fuse rating (A)		12	
Number of bypass diode		3/6	

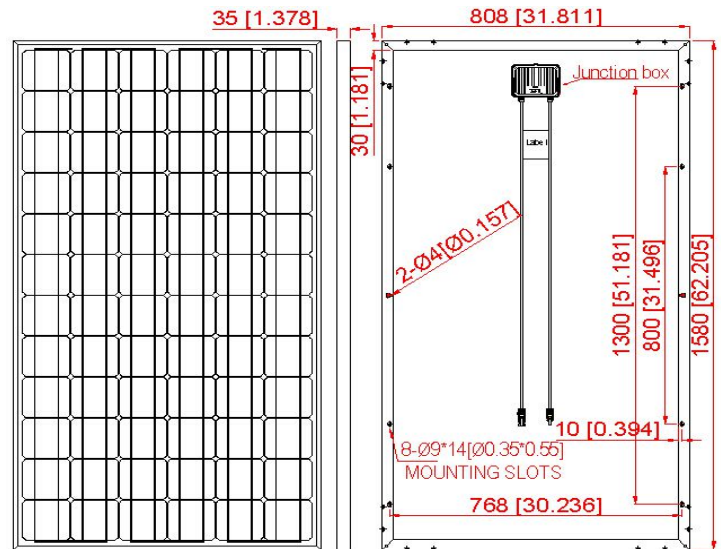


Temperature Coefficients

Current Temperature Coefficient $\alpha(I_{sc})$	0.03%/°C
Voltage Temperature Coefficient $\beta(V_{oc})$	-0.32%/°C
Power Temperature Coefficient	-0.42%/°C
Nominal Temperature Of Cells (NOTC)	46±2°C
Application Temperature Range	-40~+85°C

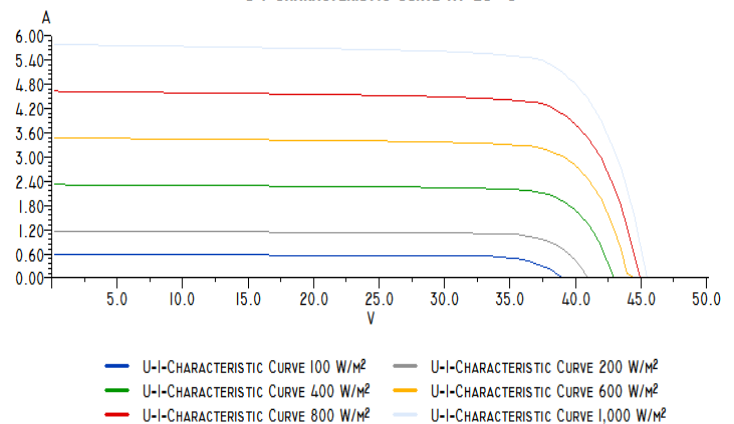
Mechanical Characteristics

Dimensions :	1580 x 808 x 35mm (62.21x31.81x1.38 inch)
Weight:	14.0 kg (31.08 lbs)
Solar Cells:	72 cells in series(6x 12)
Construction:	High-transmission low-iron tempered glass , EVA, TPT/TPE
Frame:	Anodized aluminum is mainly for improving corrosion resistance. Color: silver



Module Diagram

U-I-CHARACTERISTIC CURVE AT 25 °C



Output

Cable	LAPP(4 mm ²)
Lengths	900mm(-) and 900mm(+)
Connector	MC Plug Type IV

Module Warranty:

25-year limited warranty of 80% power output;

10-year limited warranty of 90% power output;

10-year limited warranty of materials and workmanship.

Note: This publication summarizes product warranty and Specifications which are subject to change without notice

Product photos are for reference only, on behalf of actual product.

Electrical Performance