

# AE POWERPLUS MODULE

AE P5-36 Series 80W-100W



ILLUSTRATION ONLY



We produce with green energy!



## POWER RANGE

Plus-Sorting 0 to + 4,99Wp



## PID RESISTANT

Potential Induced Degradation Free



## SALT CORROSION RESISTANT

Certified for Salt Rich Environment



## SAND RESISTANT

Certified for Sand Rich Environment



## AMMONIA RESISTANT

Certified for Ammonia Rich Atmosphere



## HIGHLY STABLE AND TOUGH

Maximum Mechanical Load 5400 Pa



## GERMAN QUALITY

AE Solar photovoltaic modules are manufactured using high-quality materials, automated machine, German Technology and Standards



## PLUS-SORTING

Higher yield due to plus-sorting of 0 to +4.99 Wp guarantees the high system efficiency and yield stability



## PERFORMANCE GUARANTEE

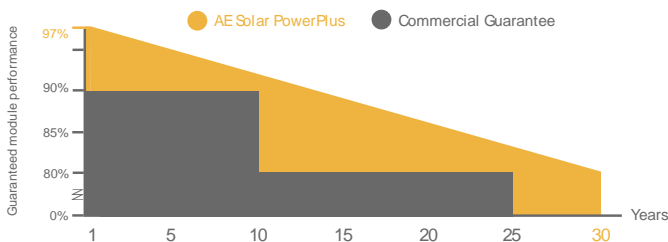
AE Solar assures high investment, security and warranty claims by providing linear performance guarantee of 30 years and 12 years of product warranty



## CERTIFICATES

Lining with International Standards, AE Solar Photovoltaic modules are tested and certified under extreme stress and it can bear harsh environmental influences

## OUR PERFORMANCE GUARANTEE



IEC 61215  
IEC 61730  
PERIODICAL  
INCEPTION



IEC 61215  
IEC 61730  
PERIODICAL  
INCEPTION



PID RESISTANT  
SALT MIST RESISTANT  
SAND RESISTANT  
CORROSIVE GAS (NH<sub>3</sub>)



It's time to save the world!

Tel.: +49 8231 97 82 68 0  
Fax: +49 8231 97 82 68 9

E-Mail: [info@ae-solar.com](mailto:info@ae-solar.com)  
Web: [www.ae-solar.com](http://www.ae-solar.com)

# TECHNICAL DATA

## AE P5-36 Series 80W-100W

### ELECTRICAL DATA

AE80P5-36      AE85P5-36      AE90P5-36      AE95P5-36      AE100P5-36

| Parameter             | Unit    | AE80P5-36  | AE85P5-36 | AE90P5-36 | AE95P5-36 | AE100P5-36 |
|-----------------------|---------|------------|-----------|-----------|-----------|------------|
| Nominal power         | Pm (Wp) | 80         | 85        | 90        | 95        | 100        |
| Open circuit voltage  | Voc (V) | 20.82      | 21.38     | 21.83     | 22.02     | 22.43      |
| Short-circuit current | Isc (A) | 5.16       | 5.27      | 5.44      | 5.68      | 5.86       |
| Voltage at max power  | Vmp (V) | 17.49      | 17.65     | 17.96     | 18.18     | 18.58      |
| Current at max power  | Imp (A) | 4.81       | 5.02      | 5.19      | 5.43      | 5.69       |
| Filling Factor        | (%)     | 74.47      | 75.44     | 75.79     | 75.96     | 76.08      |
| Module Efficiency     | (%)     | 12.12      | 12.88     | 13.64     | 14.39     | 15.15      |
| System Voltage        | (V)     | 1000       |           |           |           |            |
| Temp. coefficient Voc | (%/°C)  | -0.36      |           |           |           |            |
| Temp. coefficient Isc | (%/°C)  | 0.06       |           |           |           |            |
| Temp. coefficient Pm  | (%/°C)  | -0.36      |           |           |           |            |
| Operating temp.       | (°C)    | -40 to +85 |           |           |           |            |
| NOCT                  | (°C)    | 45±2       |           |           |           |            |

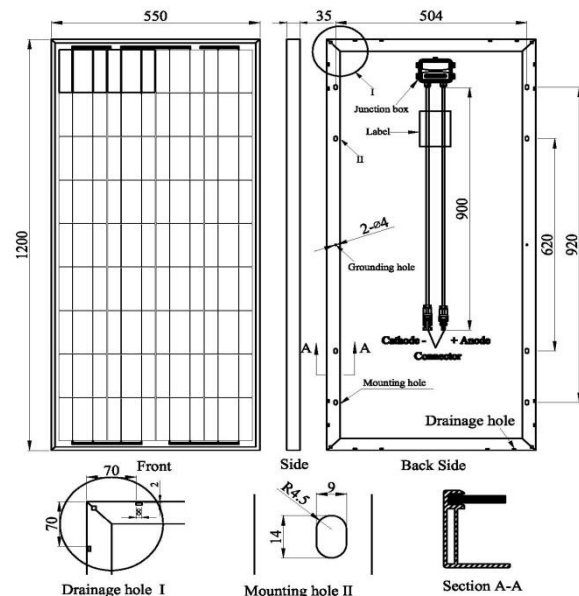
The electrical data apply to standard test conditions (STC): Irradiance of 1000 W/m<sup>2</sup> with spectrum AM 1.5 and a cell temperature of 25°C.

### TECHNICAL DATA

Junction box      2 bypass diodes, IP 67

|  |                                 |
|--|---------------------------------|
| Wire cross section (∅, mm <sup>2</sup> ) | 4.0                             |
| Cable length (mm)                        | 900                             |
| Connector type                           | MC 4 / MC 4 compatible          |
| Dimensions (L x W x H, mm)               | 1200 x 550 x 35                 |
| Weight (kg)                              | 5.78                            |
| Specification (mm)                       | Poly 156 / 4 x 9                |
| Hail resistance                          | Max. ∅ 25 mm, at 23 m/s         |
| Wind load                                | 2400Pa / 244kg / m <sup>2</sup> |
| Mechanical load                          | 5400Pa / 550kg / m <sup>2</sup> |

### SCALE



### PACKAGING INFORMATION

|                       |                    |
|-----------------------|--------------------|
| Packing configuration | 96pcs / pallet     |
| Loading Capacity      | 1728pcs / 40HQ     |
| Size / pallet (mm)    | 1250 x 1135 x 2325 |
| Weight                | 665kg / pallet     |



**AE SOLAR**  
Messerschmittring 54  
86343 Königsbrunn  
Germany

Tel.: +49 8231 97 82 68 0  
Fax: +49 8231 97 82 68 9

E-Mail: [info@ae-solar.com](mailto:info@ae-solar.com)  
Web: [www.ae-solar.com](http://www.ae-solar.com)