



FU 260 / 270 / 275 IT

Polycrystalline Photovoltaic Module - 60 cells

Made in EU

GENERAL FEATURES

- **12-year product warranty**
- **4 bus-bar high-efficiency cells**
decrease ohmic losses and increase the yield
- **High stability** against wind (2400 Pascal) and snow (5400 Pascal)
- **Tempered safety glass** for optimal mechanical stability and transparency
- Maximum resistance against hail (83 km/h)
- high transmittance and anti-reflective glass coating, to increase yield

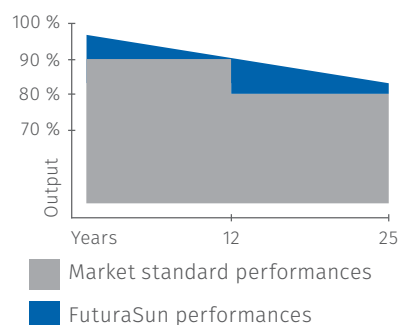
CERTIFICATIONS

- IEC 61730-1:2013 61730-2:2012
- IEC 61215:2005
- Factory inspection made in EU
- Fire Resistance - Class 1



GUARANTEES

PERFORMANCE GUARANTEE



Performance guarantee

Max power decrease 0.7%/year
 97% at the end of first year
 90% at the end of 12th year
 82% at the end of 25th year

Product guarantee

12 years



ELECTRICAL DATA

MODULE		FU 260 IT	FU 270 IT	FU275 IT
<i>Standard Test Conditions STC: 1000 W/sqm - AM 1.5 - 25 °C - measuring tolerance <3%</i>				
Module power (Pmax)	W	260	270	275
Module efficiency	%	16	16.60	16.90
Maximum power voltage (Vmpp)	V	31.21	31.35	31.79
Maximum power current (Impp)	A	8.33	8.61	8.65
Open circuit voltage (Voc)	V	37.95	38.02	38.22
Short circuit current (Isc)	A	8.70	9.15	9.18
Maximum system voltage	V	1000	1000	1000

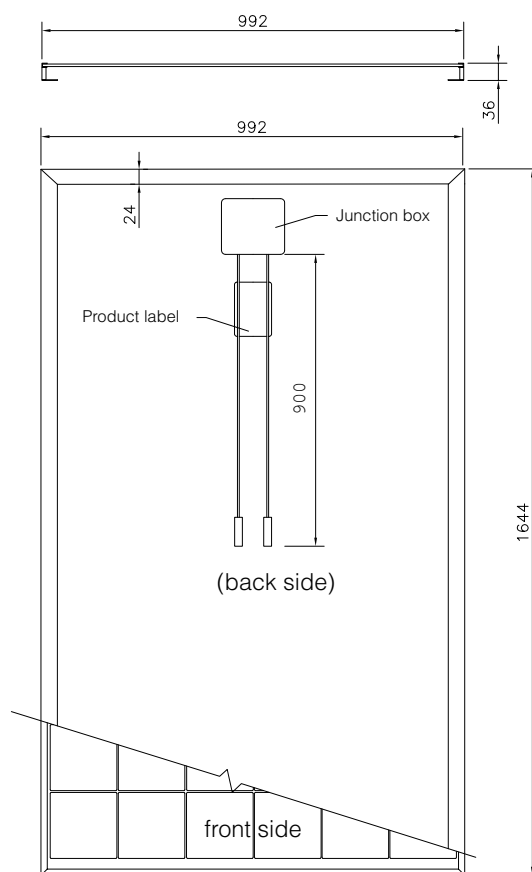
TEMPERATURE RATINGS

Temperature coefficient Isc	%/°C	0,03
Temperature coefficient Voc	%/°C	-0,34
Temperature coefficient Pmax	%/°C	-0,40
NOCT *	°C	45±3
Operating temprature	°C	from -40 a +85

* Nominal Operating Cell Temperature

MECHANICAL SPECIFICATIONS

Dimensions	1644 x 992 x 36 mm
Weight	22 kg
Glass	Tempered, transparent, 4 mm
Cell encapsulation	EVA (Ethylene Vinyl Acetate)
Cells	60 four bus-bar polycrystalline cells 156x156 mm
Backsheet	Composite multilayer film
Frame	Anodized aluminium frame with mounting and drainage holes
Junction box	Dimensions: 115x100 mm, IP 67 approved
Cables	Length 900 mm assembled with PV4



Nota: dimensions in mm

Authorized Dealer