

AstroNova™

Profitable for Decades



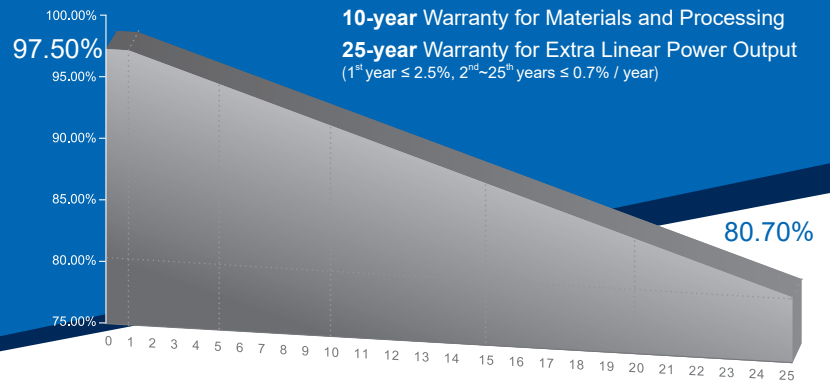
320W~335W

5BB-Polycrystalline PV Module

CHSM6612P Series

CHSM6612P/HV Series

CHSM6612P max system voltage 1000V standard
CHSM6612P/HV max system voltage 1500V standard



KEY FEATURES

- +5W OUTPUT POSITIVE TOLERANCE**
Guaranteed 0~+5W positive tolerance ensures power output reliability.
- Anti PID**
Excellent PID resistance at 96 hours (@85°C /85%) test, and also can be improved to meet higher standards for the particularly harsh environment.
- EXCELLENT STATIC MECHANICAL LOAD CAPABILITY**
Certified to withstand: front load (6000 Pa) and back load (3600 Pa).
- HIGHER RELIABILITY AND DURABILITY**
Effectively deals with harsh environments, such as sand, salt mist and ammonia resistance.
- PASSED HAIL TEST**
Certified to hail resistance: ice ball size (d=45mm) and ice ball velocity (v=30.7m/s).
- EXCELLENT LOW-LIGHT PERFORMANCE**
With the deep textured ARC glass and cell surface texturing process, achieve the excellent performance at the haze, cloudy days and other low light conditions.

COMPREHENSIVE CERTIFICATES



First solar company which passed the TUV Nord IEC/TS 62941 certification audit.

For Global Market



ASTRONERGY
A CHNT COMPANY

ELECTRICAL SPECIFICATIONS

STC rated output (P_{mpp})*	320 Wp	325 Wp	330 Wp	335 Wp
Rated voltage (V_{mpp}) at STC	37.02 V	37.11 V	37.15 V	37.26 V
Rated current (I_{mpp}) at STC	8.65 A	8.77 A	8.89 A	9.00 A
Open circuit voltage (V_{oc}) at STC	45.45 V	45.67 V	45.86 V	45.98 V
Short circuit current (I_{sc}) at STC	9.25 A	9.48 A	9.52 A	9.57 A
Module efficiency	16.5%	16.7%	17.0%	17.2%
Rated output (P_{mpp}) at NOCT	223.5 Wp	226.9 Wp	230.4 Wp	233.9 Wp
Rated voltage (V_{mpp}) at NOCT	33.80 V	33.86 V	33.92 V	34.01 V
Rated current (I_{mpp}) at NOCT	6.61 A	6.70 A	6.79 A	6.88 A
Open circuit voltage (V_{oc}) at NOCT	41.70 V	41.91 V	42.08 V	42.19 V
Short circuit current (I_{sc}) at NOCT	7.15 A	7.33 A	7.37 A	7.40 A
Temperature coefficient (P_{mpp})	- 0.408%/°C			
Temperature coefficient (I_{sc})	+0.050%/°C			
Temperature coefficient (V_{oc})	- 0.311%/°C			
Normal operating cell temperature (NOCT)	46±2°C			
Maximum system voltage (IEC/UL)	1000V _{DC} or 1500V _{DC}			
Number of diodes	3			
Junction box IP rating	IP 67			
Maximum series fuse rating	15 A			

* Measurement tolerance +/- 3%

STC: Irradiance 1000W/m², Cell Temperature 25°C, AM=1.5

NOCT: Irradiance 800W/m², Ambient Temperature 20°C, AM=1.5, Wind Speed 1m/s

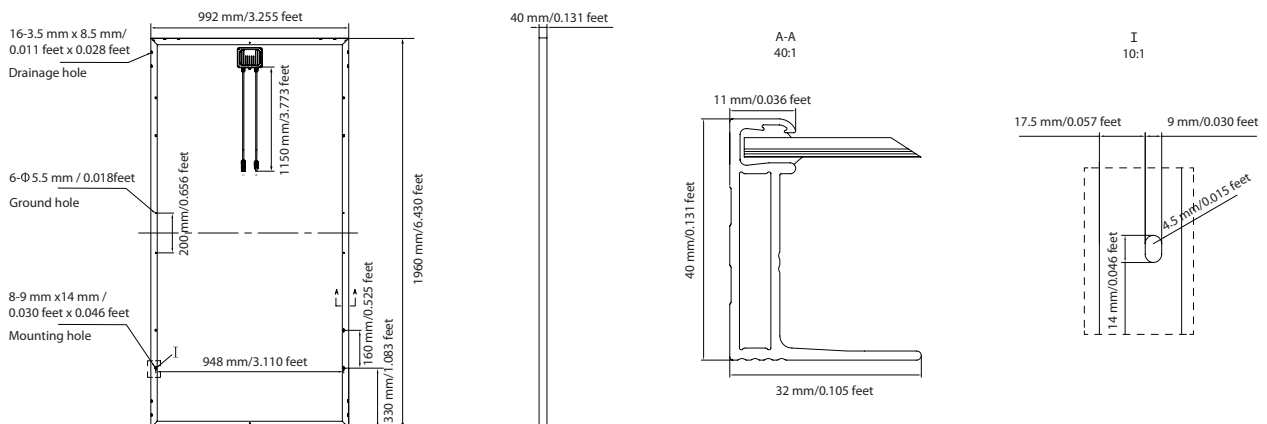
MECHANICAL SPECIFICATIONS

Outer dimensions (L x W x H)	1960 x 992 x 40 mm 77.17 x 39.06 x 1.57 in
Frame technology	Aluminum, silver anodized
Module composition	Glass / EVA / Backsheet (white)
Front glass thickness	3.2 mm / 0.13 in
① Cable length (IEC/UL)	1150 mm / 45.28 in
Cable diameter (IEC/UL)	4 mm ² / 12 AWG
② Maximum mechanical test load	6000 Pa (front) / 3600 Pa (back)
Fire performance (IEC/UL)	Class C (IEC) or Type 1 (UL)
Connector type (IEC/UL)	MC4 compatible

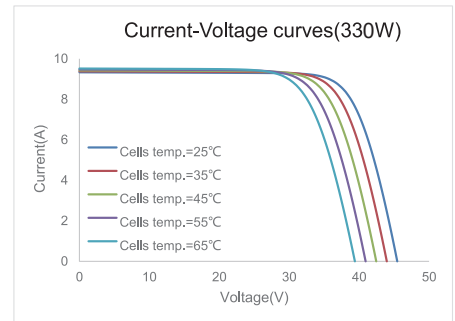
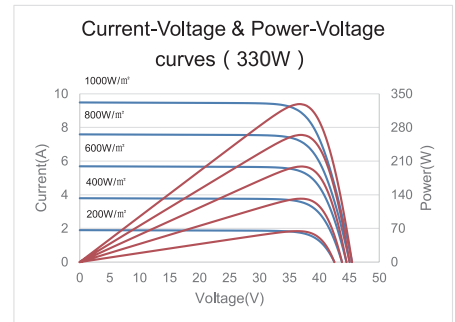
① Option: 900(+)/600(-) mm for defined projects in advance.

② Refer to Astronergy Crystalline Silicon PV Module Installation Manual or contact technical department.
Maximum Mechanical Test Load=1.5×Maximum Mechanical Design Load.

MODULE DIMENSION DETAILS



CURVE



PACKING SPECIFICATIONS

① Weight (module only)	21.9 kg / 48.28 lbs
② Packing unit	27 pcs / box
Weight of packing unit (for 40'HQ container)	636 kg / 1402 lbs
Number of modules per 40'HQ container	648 pcs

① Tolerance +/- 1.0kg

② Subject to sales contract