

SOLAR MODULE EGE-30P-36 POLYCRYSTALLINE MODULE

30 W / 36 Cells / 5 Busbars cells



Eco Green Energy's modules are only made of grade A solar cells with a very high efficiency and ensured more than 25 years lifespan.

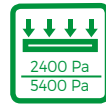
KEY FEATURES



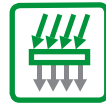
5 bus bars cells, with efficiency up to 21 %



IP65 or IP67 junction box for long term weather endurance



High quality aluminum frame, resisting load up to 5400 Pa and wind pressure up to 2400 Pa



High transmissivity, low-iron tempered glass



High performance in low-light environment



Double EL test before and after lamination



OUTPUT POWER WARRANTY



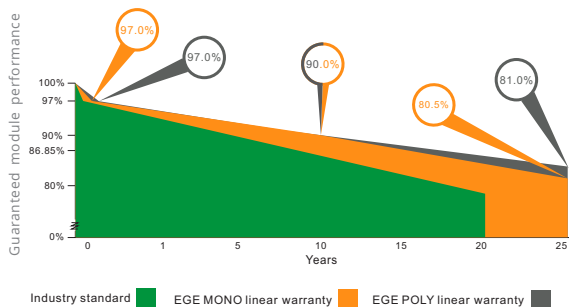
PRODUCT WARRANTY

CERTIFICATES

IEC 61215 / IEC 61730 / CE
ISO 9001:2015

LINEAR PERFORMANCE WARRANTY

10-Year Product Warranty · 25-Year Linear Power Warranty



Industry standard ■ EGE MONO linear warranty ■ EGE POLY linear warranty ■



ELECTRICAL DATA AT STC*

| | |
|-----------------------------|---------|
| Power output (Pmax) | 30 W |
| Power tolerance | 0~+3 % |
| Module efficiency | 12.80 % |
| Maximum power voltage (Vmp) | 18.34 V |
| Maximum power current (Imp) | 1.68 A |
| Open circuit voltage (Voc) | 22.54 V |
| Short circuit current (Isc) | 1.82 A |

*Standard Test Conditions: Irradiance: 1 000 W / m²
Cell temperature: 25 °C • AM: 1.5

ELECTRICAL DATA AT NOCT*

| | |
|-----------------------------|---------|
| Power output (Pmax) | 22.19 W |
| Maximum power voltage (Vmp) | 16.94 V |
| Maximum power current (Imp) | 1.31 A |
| Open circuit voltage (Voc) | 20.92 V |
| Short circuit current (Isc) | 1.48 A |

*Nominal Operating Cell Temperature: Irradiance: 800 W / m²
Ambiant temperature: 20 °C • AM: 1.5 • Wind speed: 1 m/s

TEMPERATURE CHARACTERISTICS

| | |
|---------------------------------|-------------|
| NOCT | 45 °C ±2 °C |
| Temperature coefficient of Pmax | -0.41%/°C |
| Temperature coefficient of Voc | -0.31%/°C |
| Temperature coefficient of Isc | +0.06%/°C |

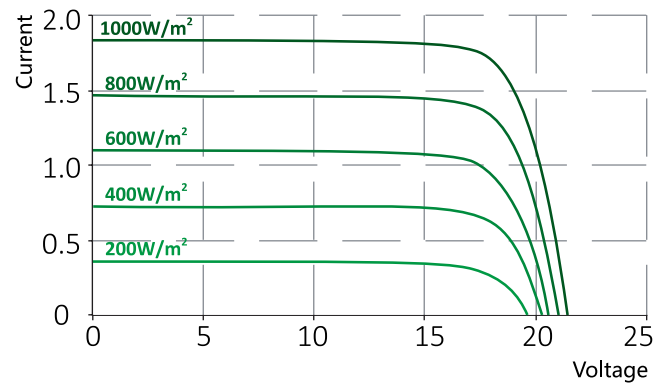
MAXIMUM RATINGS

| | |
|-----------------------------|----------------|
| Operating temperature range | -45 °C ~+85 °C |
| Maximum system voltage | 1500 V |
| Max series fuse rating | 10 A |
| Max front load (e.g.: snow) | 5 400 Pa |
| Max back load (e.g.: wind) | 2 400 Pa |

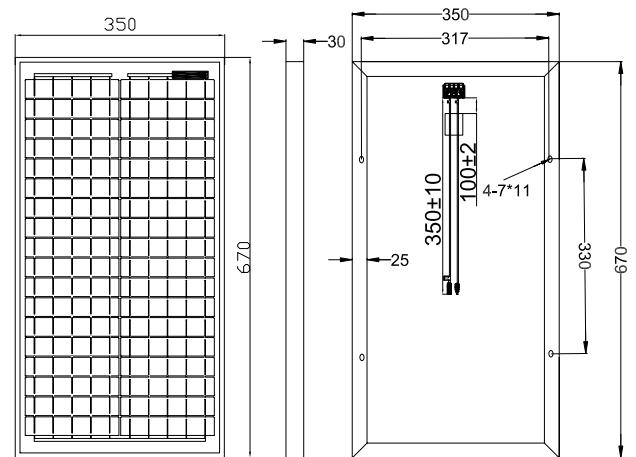
MECHANICAL CHARACTERISTICS

| | |
|-----------------|-------------------------------|
| Cell type | Polycrystalline (156x31.2 mm) |
| Number of cells | 36 |
| Dimensions | 350x670x30mm |
| Weight | 2.7 kg |
| Glass | 3.2 mm tempered glass |
| Frame | Anodized aluminium alloy |
| Junction box | IP65 or IP67 |
| Cable | 0.35 mm |
| Connector | MC4 or MC4 compatible |

EGE-30P-36 / I-V CURVES



ENGINEERING DRAWINGS (mm)



PACKAGING

| Type | Pcs/ Type | Weight |
|-------------------|-----------|--------|
| Per Box | 5 pcs | 14 kg |
| 20ft GP Container | 3000 pcs | 8.4 t |
| 40ft GP Container | 6700 pcs | 18.8 t |
| 40ft HQ Container | 7800 pcs | 21.8 t |