

# 多晶太阳能电池组件--72片串

## Poly Crystalline Solar Module --6inch\*72



### Electrical characteristics at Standard Test Conditions (STC) 性能参数

Model 型号	SA330-72P	SA335-72P	SA340-72P	SA345-72P	SA350-72P
Max Power - Pmpp (W) 最大功率 (W)	330	335	340	345	350
Positive power tolerance (%) 公差 (%)	0-5W	0-5W	0-5W	0-5W	0-5W
Open Circuit Voltage - Voc (V) 开路电压 (V)	46.74	46.93	47.13	47.26	47.46
Short Circuit Current - Isc (A) 短路电流 (A)	9.42	9.52	9.56	9.62	9.68
Max Power Voltage-Vmpp (V) 最大工作电压 (V)	38.24	38.33	38.69	39.03	39.24
Max Power Current - Imp (A) 最大工作电流 (A)	8.63	8.74	8.79	8.84	8.92
Module Efficiency 组件转化效率	17.01	17.26	17.52	17.78	18.04

Electrical data relates to standard test conditions (STC) : irradiance 1000 W/m<sup>2</sup> ; AM 1.5 ; cell temperature 25°C measuring uncertainty of power is within 0-5W. Certified in accordance with IEC61215, IEC61730-1/2

### 标称电池工作温度(NOCT)下的电性能参数 Electrical Characteristics at Nominal Operating Cell Temperature

Model 型号	SA330-72P	SA335-72P	SA340-72P	SA345-72P	SA350-72P
Max Power-Pmpp 最大功率 (W)	242	246	249	253	257
Open Circuit Voltage-Voc 开路电压 (V)	42.63	42.81	42.99	43.11	43.29
Short Circuit Current-Isc(A) 短路电流 (A)	7.66	7.74	7.77	7.82	7.87
Max Power Voltage-Vmpp(V) 最大工作电压 (V)	34.67	34.75	35.08	35.38	35.57
Max Power Current-Imp(A) 最大工作电流 (A)	6.98	7.07	7.11	7.15	7.22

Nominal Operating Cell Temperature (NOCT) : Irradiance 800W/m<sup>2</sup>, environment temperature 20°C, wind speed 1 m/s

### Temperature Characteristics 温度系数

Voltage Temperature Coefficient 电压温度系数	-0.36%/K
Current Temperature Coefficient 电流温度系数	+0.06%/K
Power Temperature Coefficient 功率温度系数	-0.36%/K

### Maximum Ratings 最大额定值

Maximum system voltage (V) 最大系统电压	1000V/1500V
Series fuse rating (A) 保险丝最大熔断值	13A/15A
Reverse current overload (A) 反向电流过载	25A

### Mechanical Characteristics 机械性能参数

Dimensions 外形尺寸	1956*992*40mm (Length/长*Width/宽*Depth/高)
Weight 重量	23.5kg
Frame 边框	Anodized aluminum profile 铝合金型材
Front glass 玻璃	White toughened safety glass, 3.2 mm 低铁超白钢化玻璃
Cell Encapsulation 电池片封装	EVA (Ethylene-Vinyl-Acetate) EVA胶膜
Back Sheet 背板	Composite film 复合薄膜
Cells 电池片	6*12 pieces Poly solar cells series strings(6INCH/5BB)
Junction Box 接线盒	Rated current ≥ 13A/15A, IP ≥ 67, TUV
Cable 线	Length 900mm, 1×4mm <sup>2</sup>
Connector 连接器	MC 4 / compatible with MC 4

### Packaging 包装信息

Container 20' /20尺柜	260PCS
Container 40' /40尺柜	572PCS
Container 40'HQ /40尺高柜	638PCS

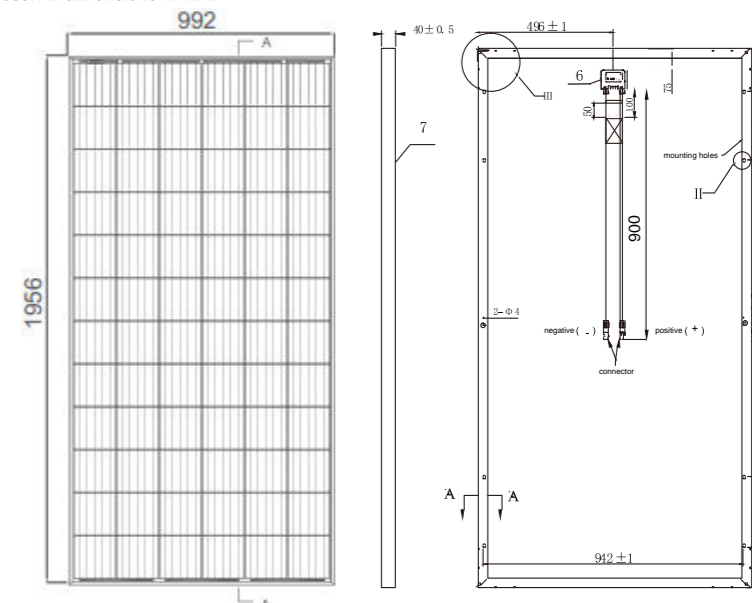
### System Design 系统设计

Temp. range 组件温度工作范围	-40°C to + 85°C
Hail 通过冰雹测试	max. diameter of 25mm with 23m/s impact speed
Max. capacity 载荷能力	Snow 5400Pa, Wind 2400Pa
Application class 应用等级	A
Safety class 安全等级	II

### Dimensions 尺寸

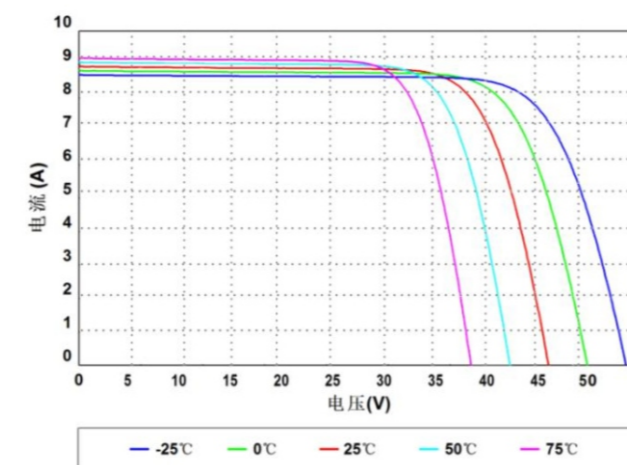
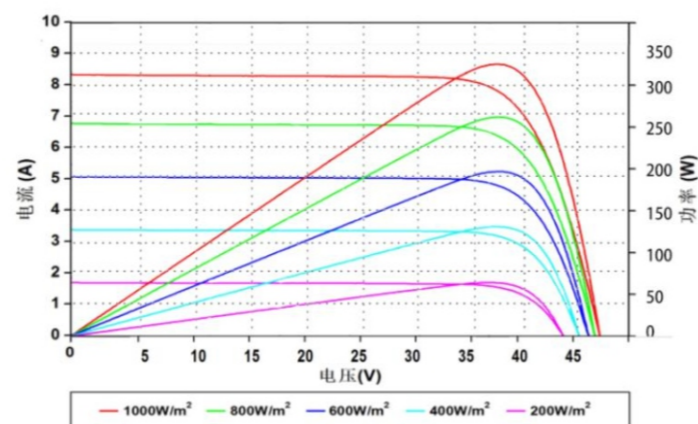
Note: Module layout below only valid for modules with 40mm thickness. All dimensions in mm.

- Cell efficiency > 19.8%  
电池片转化率 > 19.8%
- EL Double Inspection  
2次EL测试
- 12 years Material & workmanship warranty  
12年的材料与工艺保修
- Good temperature coefficient enables higher output in high temperature regions  
低辐射度高性能保证
- 25 years Linear power output warranty  
25年的线性质保
- Certified to bear 2,400Pa wind load and 5,400Pa snow load  
5400帕雪压载荷, 2400帕风压载荷



注: 边框颜色、背板颜色及线缆长度可定制

Note: We accept customized solar modules, such as frame, backsheet colors, length of cables



IEC61215:2016 IEC61730-2:2016 KSC8561:2016 IEC/TS62804-1:2015 IEC/TS62941:2016 CQC33-471541-2017

