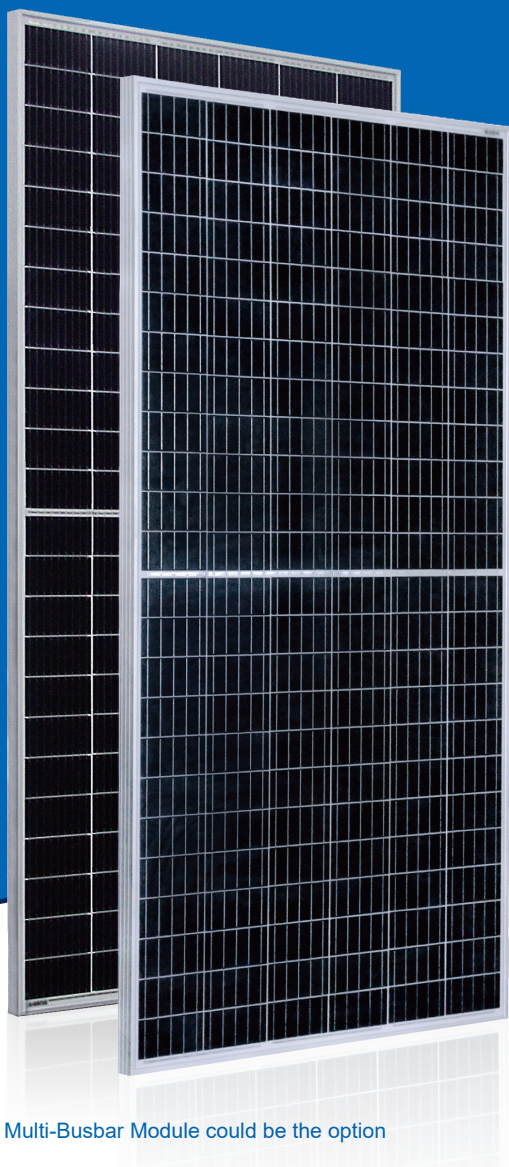


AstroSemi™

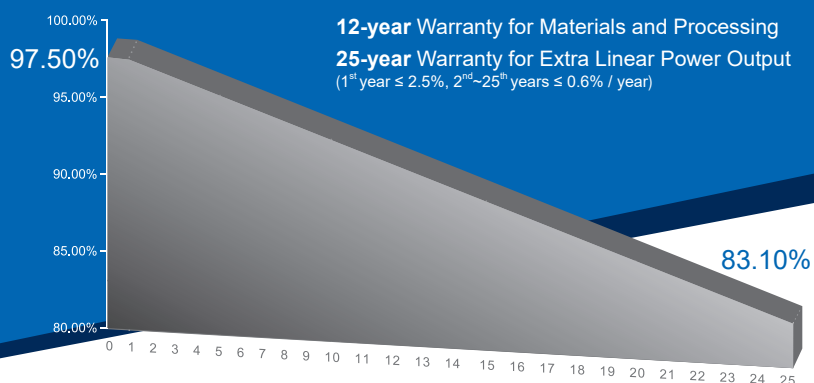
Incredible Power for Small Body



Multi-Busbar Module could be the option

345W~365W

Polycrystalline PV Module
CHSM72P-HC Series (156.75)



KEY FEATURES

- +5W OUTPUT POSITIVE TOLERANCE**
Guaranteed 0~+5W positive tolerance ensures power output reliability.
- INNOVATIONAL HALF-CELL TECHNOLOGY**
Improves the module output, decreases the risk of micro-crack, enhances the module reliability.
- INNOVATIVE PERC CELL TECHNOLOGY**
Excellent cell efficiency and output.
- REDUCE SHADOW LOSS**
Effectively reduces the effect of shadow on the module surface.
- REDUCE INTERNAL MISMATCH LOSS**
Reduces mismatch loss and improves output.
- PASSED HAIL TEST**
Certified to hail resistance: ice ball size (d=45mm) and ice ball velocity (v=30.7m/s).
- Anti PID PID RESISTANCE**
Excellent PID resistance at 96 hours (@85°C /85%) test, and also can be improved to meet higher standards for the particularly harsh environment.

COMPREHENSIVE CERTIFICATES



First solar company which passed the TUV Nord IEC/TS 62941 certification audit.

For Global Market



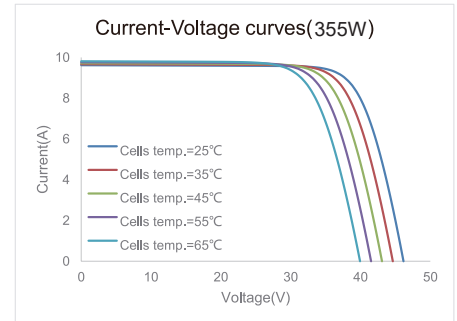
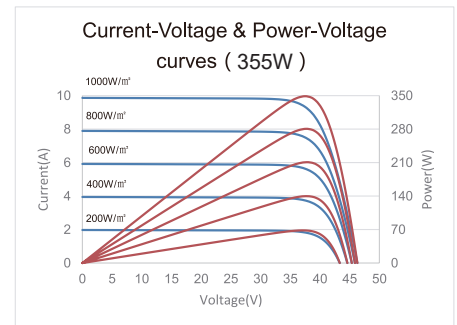
ASTRONERGY
A CHNT COMPANY

ELECTRICAL SPECIFICATIONS

STC rated output (P_{mpp})*	345 Wp	350 Wp	355 Wp	360 Wp	365 Wp
Rated voltage (V_{mpp}) at STC	37.71 V	37.78 V	37.87 V	37.94 V	38.02 V
Rated current (I_{mpp}) at STC	9.15 A	9.26 A	9.37 A	9.49 A	9.60 A
Open circuit voltage (V_{oc}) at STC	46.04 V	46.25 V	46.45 V	46.65 V	46.84 V
Short circuit current (I_{sc}) at STC	9.57 A	9.65 A	9.74 A	9.83 A	9.92 A
Module efficiency	17.4%	17.6%	17.9%	18.1%	18.4%
Rated output (P_{mpp}) at NMOT	256.7 Wp	260.4 Wp	264.2 Wp	267.9 Wp	271.6 Wp
Rated voltage (V_{mpp}) at NMOT	35.01 V	35.09 V	35.18 V	35.24 V	35.30 V
Rated current (I_{mpp}) at NMOT	7.33 A	7.42 A	7.51 A	7.60 A	7.69 A
Open circuit voltage (V_{oc}) at NMOT	43.19 V	43.39 V	43.58 V	43.76 V	43.94 V
Short circuit current (I_{sc}) at NMOT	7.72 A	7.78 A	7.85 A	7.93 A	8.00 A
Temperature coefficient (P_{mpp})	- 0.3599%/°C				
Temperature coefficient (I_{sc})	+0.0430%/°C				
Temperature coefficient (V_{oc})	- 0.2765%/°C				
Nominal module operating temperature (NMOT)	44±2°C				
Maximum system voltage (IEC/UL)	1500V _{DC}				
Number of diodes	3				
Junction box IP rating	IP 67				
Maximum series fuse rating	15 A(≤345W), 20 A(≥350W)				

STC: Irradiance 1000W/m², Cell Temperature 25°C, AM=1.5
 NMOT: Irradiance 800W/m², Ambient Temperature 20°C, AM=1.5, Wind Speed 1m/s

CURVE



MECHANICAL SPECIFICATIONS

Outer dimensions (L x W x H)	2000 x 992 x 40 mm 78.74 x 39.06 x 1.57 in
Frame technology	Aluminum, silver anodized
Module composition	Glass / EVA / Backsheet (white)
Front glass thickness	3.2 mm / 0.13 in
Cable length (IEC/UL)	Portrait: 350 mm (13.78 in) Landscape: 1200 mm (47.24 in)
Cable diameter (IEC/UL)	4 mm ² / 12 AWG
① Maximum mechanical test load	5400 Pa (front) / 2400 Pa (back)
Fire performance (IEC/UL)	Class C (IEC) or Type 1 (UL)
Connector type (IEC/UL)	MC4 compatible

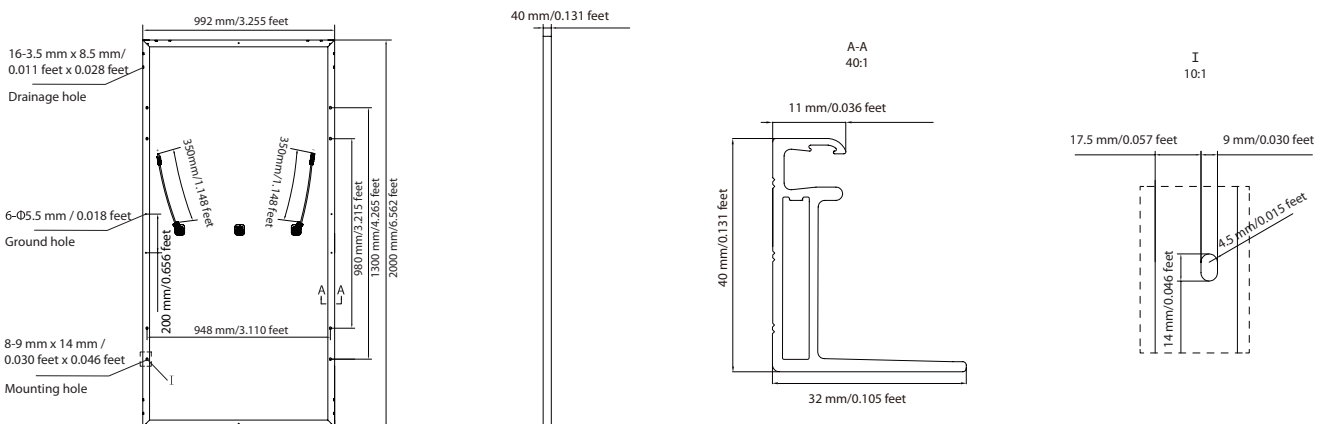
① Refer to Astronergy crystalline installation manual or contact technical department.
 Maximum Mechanical Test Load=1.5×Maximum Mechanical Design Load.

PACKING SPECIFICATIONS

① Weight (module only)	22.3 kg / 49.16 lbs
② Packing unit	27 pcs / box
Weight of packing unit (for 40'HQ container)	648 kg / 1429 lbs
Number of modules per 40'HQ container	594 pcs

① Tolerance +/- 1.0kg
 ② Subject to sales contract

MODULE DIMENSION DETAILS



© Chint Solar (Zhejiang) Co., Ltd. Reserves the right of final interpretation. please contact our company to use the latest version for contract.