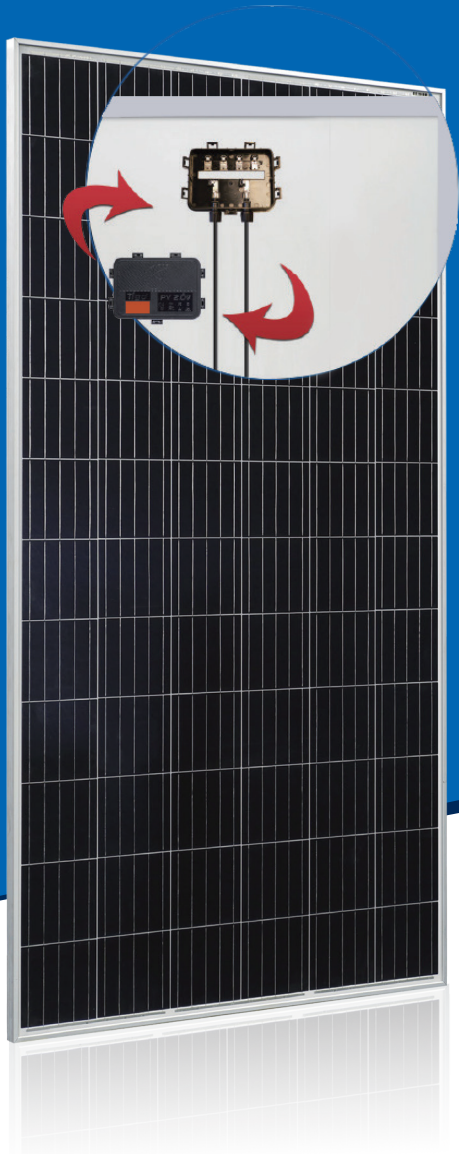


AstroSmart™

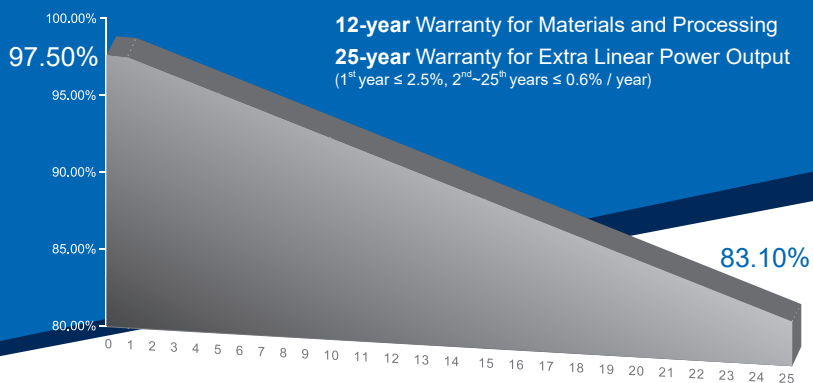
The Wise See Wisdom



340W~350W

5BB-Polycrystalline SMART Module

CHSM6612P Series (156.75)



COMPREHENSIVE CERTIFICATES



First solar company which passed the TUV Nord IEC/TS 62941 certification audit.

KEY FEATURES



OUTPUT POSITIVE TOLERANCE
 Guaranteed 0~+5W positive tolerance ensures power output reliability.



RAPID SHUTDOWN SOLUTION
 Meets NEC 690.12 rapid shutdown requirements.



SUNSPEC SIGNALING
 Shutdown can be activated by any signaling device compliant with the SunSpec specification.



INNOVATIVE PERC CELL TECHNOLOGY
 Excellent cell efficiency and output.



OPEN MODULAR DESIGN
 Diodes, monitoring, safety, optimization or longer strings functions can be choosed.



PASSED HAIL TEST
 Certified to hail resistance: ice ball size (d=45mm) and ice ball velocity (v=30.7m/s).



PID RESISTANCE
 Excellent PID resistance at 96 hours (@85°C /85%) test, and also can be improved to meet higher standards for the particularly harsh environment.

For Global Market



ASTRONERGY
 A CHNT COMPANY

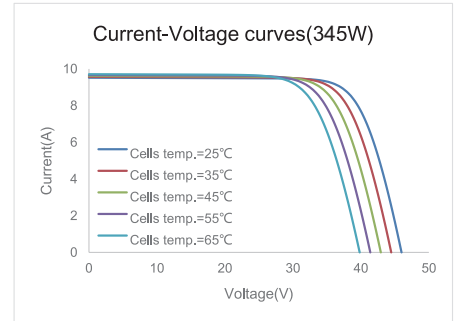
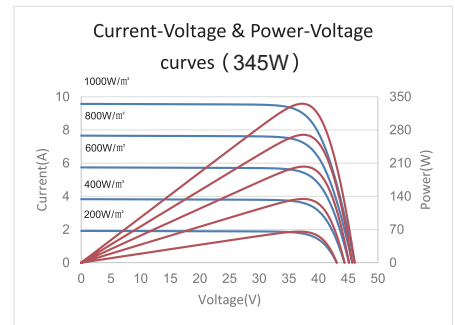
ELECTRICAL SPECIFICATIONS

STC rated output (P_{mpp})*	340 Wp	345 Wp	350 Wp
Rated voltage (V_{mpp}) at STC	37.33 V	37.38 V	37.48 V
Rated current (I_{mpp}) at STC	9.11 A	9.23 A	9.34 A
Open circuit voltage (V_{oc}) at STC	46.16 V	46.37 V	46.57 V
Short circuit current (I_{sc}) at STC	9.62 A	9.67 A	9.72 A
Module efficiency	17.5%	17.7%	18.0%
Rated output (P_{mpp}) at NMOT	237.4 Wp	240.9 Wp	244.4 Wp
Rated voltage (V_{mpp}) at NMOT	34.10 V	34.15 V	34.24 V
Rated current (I_{mpp}) at NMOT	6.96 A	7.05 A	7.14 A
Open circuit voltage (V_{oc}) at NMOT	42.36 V	42.55 V	42.73 V
Short circuit current (I_{sc}) at NMOT	7.44 A	7.48 A	7.52 A
Temperature coefficient (P_{mpp})	- 0.408%/°C		
Temperature coefficient (I_{sc})	+0.050%/°C		
Temperature coefficient (V_{oc})	- 0.311%/°C		
Nominal module operating temperature (NMOT)	46±2°C		
Maximum system voltage (IEC/UL)	1000V _{DC}		
Number of diodes	3		
Junction box IP rating	IP 67		
Maximum series fuse rating	20 A		

STC: Irradiance 1000W/m², Cell Temperature 25°C, AM=1.5

NMOT: Irradiance 800W/m², Ambient Temperature 20°C, AM=1.5, Wind Speed 1m/s

CURVE



MECHANICAL SPECIFICATIONS

Outer dimensions (L x W x H)	1960 x 992 x 40 mm 77.17 x 39.06 x 1.57 in
Frame technology	Aluminum, silver anodized
Module composition	Glass / EVA / Backsheet (white)
Front glass thickness	3.2 mm / 0.13 in
① Cable length (IEC/UL)	1150 mm / 45.28 in
Cable diameter (IEC/UL)	4 mm ² / 12 AWG
② Maximum mechanical test load	5400 Pa (front) / 2400 Pa (back)
Fire performance (IEC/UL)	Class C (IEC) or Type 1 (UL)
Connector type (IEC/UL)	MC4 compatible

① Option: 1000 mm for defined projects in advance.

② Refer to Astronergy Crystalline Silicon PV Module Installation Manual or contact technical department.
Maximum Mechanical Test Load=1.5×Maximum Mechanical Design Load.

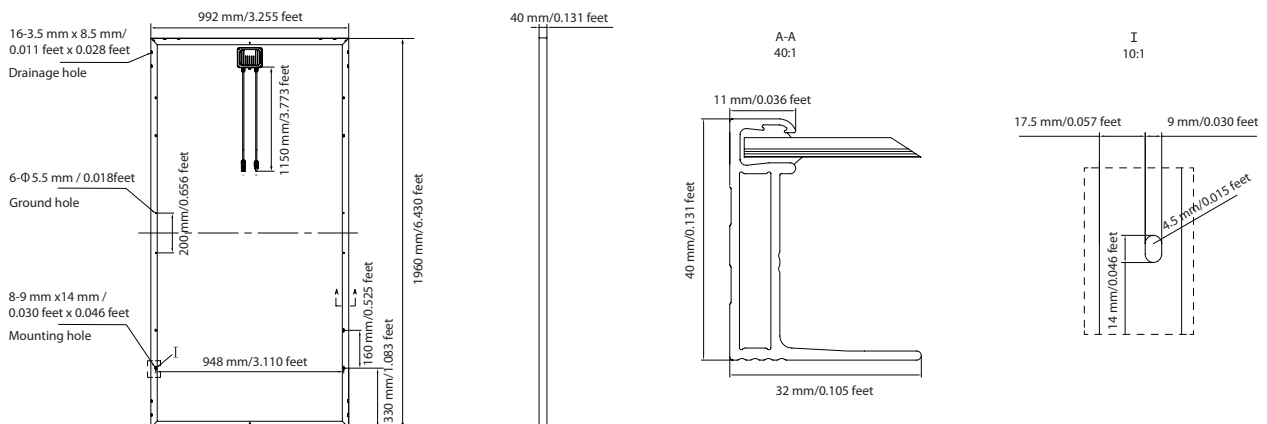
PACKING SPECIFICATIONS

① Weight (module only)	21.9 kg / 48.28 lbs
② Packing unit	27 pcs / box
Weight of packing unit (for 40'HQ container)	637 kg / 1404 lbs
Number of modules per 40'HQ container	648 pcs

① Tolerance +/- 1.0kg

② Subject to sales contract

MODULE DIMENSION DETAILS



© Chint Solar (Zhejiang) Co., Ltd. Reserves the right of final interpretation. please contact our company to use the latest version for contract.