



[www.bqltd.com](http://www.bqltd.com)  
[www.bqsolartech.com](http://www.bqsolartech.com)  
[sales@bqsolartech.com](mailto:sales@bqsolartech.com)

# BQ-POLY60



BQ-POLY60

270-285W

Product With Green Energy



Certificates



BQ Linear Warranty • Standard Step Warranty

10 Years Product Warranty • 25 years Linear Power Warranty



KEY FEATURES



POWER RANGE

0~+3% Plus Power Tolerance



PID RESISTANT



SALT MIST RESISTANT



AMMONIA RESISTANT



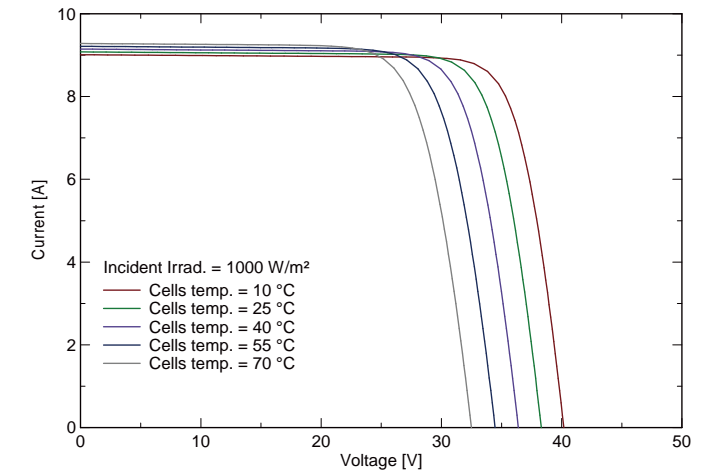
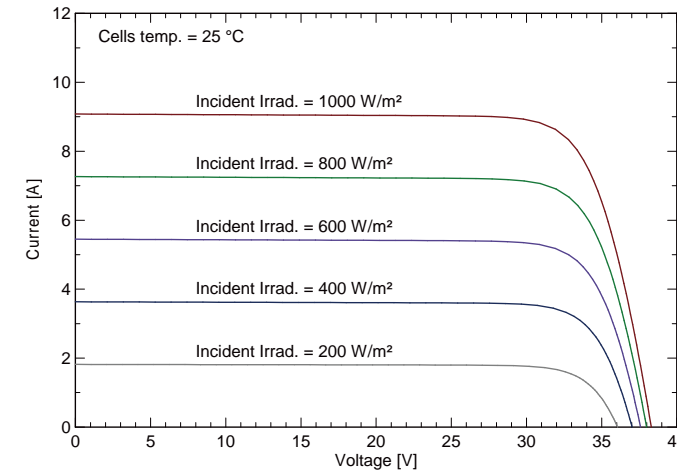
HIGH STRENGTHENED DESIGN

2400Pa Wind Pressure, 5400Pa Snow Crush Tolerable

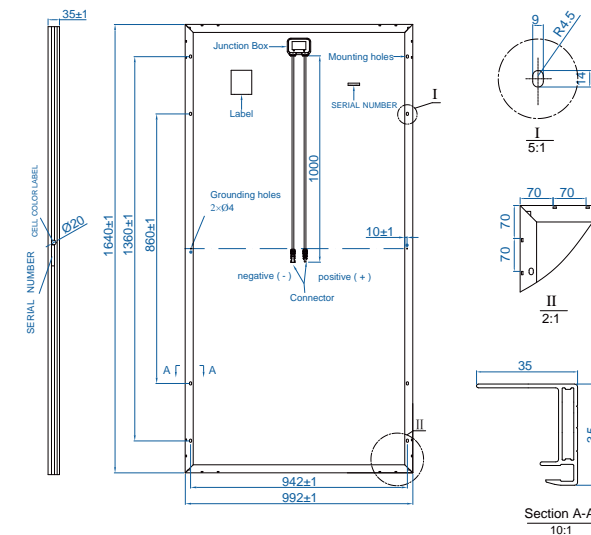
Electrical Characteristics

Item NO.		BQ270-60PM	BQ275-60PM	BQ280-60PM	BQ285-60PM
Nominal power	Pm (WP)	270	275	280	285
Open circuit voltage	Voc (V)	38.1	38.3	38.5	38.7
Short-circuit current	Isc (A)	8.99	9.08	9.18	9.27
Voltage at max power	Vmp (V)	31.3	31.6	31.8	32.0
Current at max power	Imp (A)	8.63	8.71	8.81	8.91
Module efficiency	(%)	16.6	16.9	17.21	17.52
System voltage	(V)	1500 V			
Temp. coefficient Voc	(%/°C)	-0.3%/°C			
Temp. coefficient Isc	(%/°C)	+0.05%/°C			
Temp. coefficient Pm	(%/°C)	-0.39%/°C			
Operating temp.	(°C)	-40~+85°C			
NOCT	(°C)	45°C (±2°C)			

ELECTRICAL CHARACTERISTICS



PHYSICAL CHARACTERISTICS



MECHANICAL SPECIFICATIONS

External Dimension	1640 x 992 x 35mm
Weight	17.5kg/18.0kg
Solar Cells	156.75 x 156.75 mm (60pcs)
Front Glass	3.2 mm AR coating tempered glass, low iron
Frame	Anodized aluminium alloy
Junction Box	IP68, 3 diodes
Output Cables	4.0 mm², cable length: 1000 mm
Connector	MC4 Compatible
Mechanical Load	5400 Pa

PARKING INFORMATION

External Dimension	1640 x 992 x 35mm	
Container	20' GP	40' GP
Pieces per Pallet	30	30
Pallets per Container	12	28
Pieces per Container	360	840

www.bqltd.com  
sales@bqsolartech.com