

## Electrical Performance (STC: AM 1.5, 1000W/m<sup>2</sup>, 25°C)

Module Type	ST130P6-36	ST120P6-36	ST110P6-36	ST100P6-36	ST90P6-36	ST80P6-36	ST70P6-36
Maximum Power (P <sub>max</sub> / W)	130	120	110	100	90	80	70
Power Tolerance	0 ~ +3%	0 ~ +3%	0 ~ +3%	0 ~ +3%	0 ~ +3%	0 ~ +3%	0 ~ +3%
Maximum Power Voltage (V <sub>m</sub> / V)	18.1	18.0	17.8	17.8	17.8	18.1	17.6
Maximum Power Current (I <sub>m</sub> / A)	7.19	6.65	6.18	5.62	5.06	4.42	3.97
Open Circuit Voltage (V <sub>oc</sub> / V)	21.9	21.8	21.4	22.4	22.6	22.6	21.3
Short Circuit Current (I <sub>sc</sub> / A)	7.92	7.33	6.55	5.95	5.36	4.68	4.44
Module Efficiency (%)	15.16	15.05	14.7	15.0	15.0	15.5	14.51

## System Design

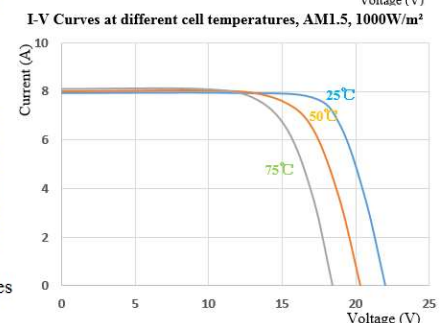
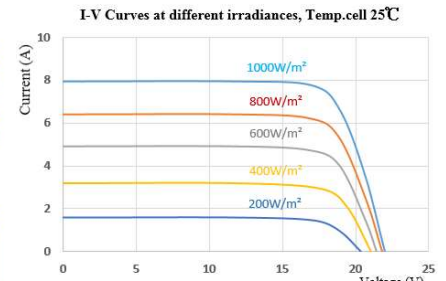
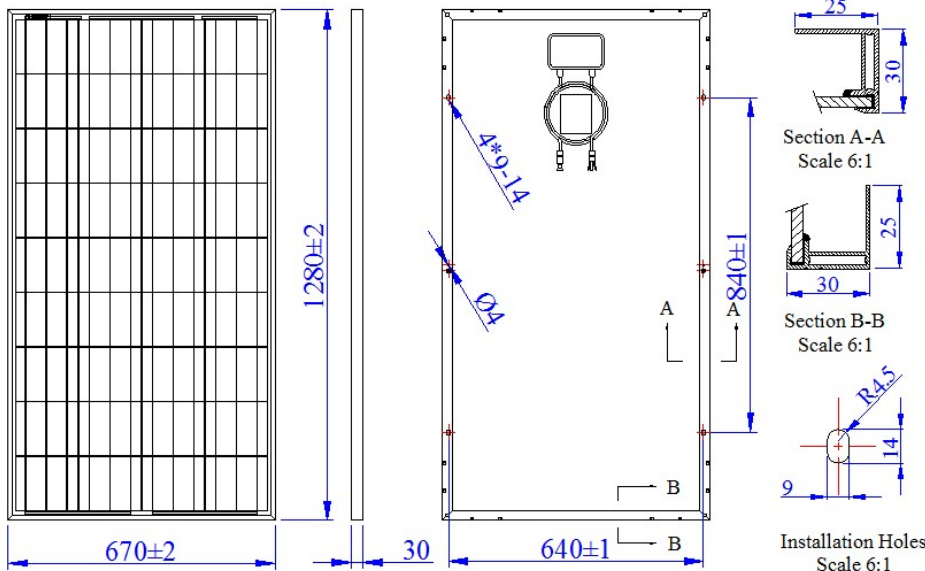
Static Load (Front/Back)	5400Pa/2400Pa
Application class	Class A
Fire safety class (IEC61730)	Class C

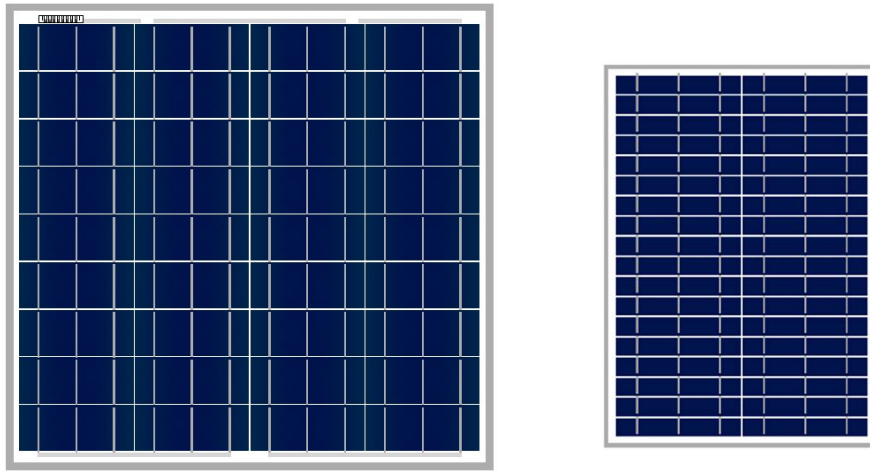
## Operation Conditions

Maximum System Voltage (VDC)	1000 (IEC)/ 600 (UL)
Maximum Series Fuse Rating (A)	10
Operating Module Temperature (°C)	-40 to +85

## Mechanical Properties

Dimensions (L×W×H / mm)	1280×670×30	1190×670×30	1120×670×30	1000×670×30	900×670×30	770×670×30	720×670×30
Installation holes distance (L×W/m)	840×640	780×640	600×640	500×640	450×640	390×640	480×640
Weight (Kg)	11.2	10.9	8.6	8	7	6	5.6
Sizes of Cells (L×W/mm)	156×135	156×124.8	156×117	156×104	156×91	156×78	156×73
No. of Cells (pcs)	36 (4×9)	36 (4×9)	36 (4×9)	36 (4×9)	36 (4×9)	36 (4×9)	36 (4×9)
Sizes of Junction box cable (mm <sup>2</sup> /m)	4 / 900	4 / 900	4 / 900	4 / 900	2.5 / 900	2.5 / 900	2.5 / 900
Container 20GP(pcs)	640	640	680	680	1088	1088	1120
Container 40HQ(pcs)	1632	1728	2040	2244	2448	2856	2880





### Electrical Performance (STC: AM 1.5, 1000W/m<sup>2</sup>, 25°C)

Module Type	ST60P6-36	ST50P6-36	ST40P6-36	ST30P6-36	ST20P6-36	ST10P6-36	ST5P6-18
Maximum Power (P <sub>max</sub> / W)	60	50	40	30	20	10	5
Power Tolerance	0 ~ + 3%	0 ~ + 3%	0 ~ + 3%	0 ~ + 3%	0 ~ + 3%	0 ~ + 3%	0 ~ + 3%
Maximum Power Voltage (V <sub>m</sub> / V)	17.6	17.8	17.8	17.3	17.3	17.8	8.5
Maximum Power Current (I <sub>m</sub> / A)	3.41	2.81	2.25	1.74	1.16	0.57	0.59
Open Circuit Voltage (V <sub>oc</sub> / V)	22.4	22.4	22.4	21.7	21.7	22.4	10.2
Short Circuit Current (I <sub>sc</sub> / A)	3.61	2.97	2.38	1.89	1.26	0.61	0.68
Module Efficiency (%)	13.8	13.8	14.5	13.2	11.9	11.8	10.4

### System Design

Static Load (Front/Back)	5400Pa/2400Pa	Maximum System Voltage (VDC)	600
Application class	Class A	Maximum Series Fuse Rating (A)	10
Fire safety class (IEC61730)	Class C	Operating Module Temperature (°C)	-40 to +85

### Operation Conditions

### Mechanical Properties

Dimensions (L×W×H / mm)	650×670×30	540×670×30	540×510×25	650×350×25	480×350×25	340×250×17	260×185×17
Installation holes distance (L×W/mm)	325×640	270×640	270×477	210×317	240×317	170×228	160×165
Weight (Kg)	5	4.2	3.2	2.6	2	1	1.3
Sizes of Cells (L×W/mm)	156×65	156×52	156×39	156×31.2	156×22.28	78×22.28	78×22.28
No. of Cells (pcs)	36 (4×9)	36 (4×9)	36 (4×9)	36 (2×18)	36 (2×18)	36 (4×9)	18 (2×9)
Sizes of Junction box cable (mm <sup>2</sup> /mm)	2.5 / 600	2.5 / 600	2.5 / 600	2.5 / 600	0 / 0	0 / 0	0 / 0
Container 20GP(pcs)	1088	1440	2400	2400	4800	9600	19440
Container 40HQ(pcs)	3264	4320	6400	7200	9600	28800	40824

