

# LSX Module System

The revolutionary frameless solar module system that has bridged the gap between architecture and energy production

## FEATURES & BENEFITS

---

### FRAMELESS MODULE

- PID free
- Ultra low profile

### NO MODULE GROUNDING

- No module grounding
- No continuous module equipment ground

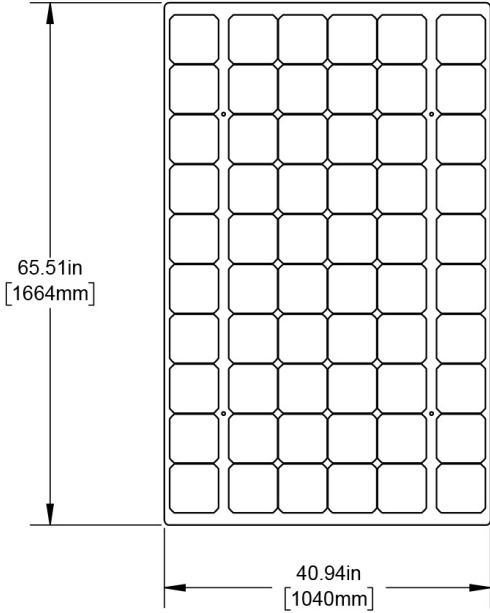
### INTEGRATED MOUNTING SYSTEM

- Built in wireway
- Concealed junction box and conductors

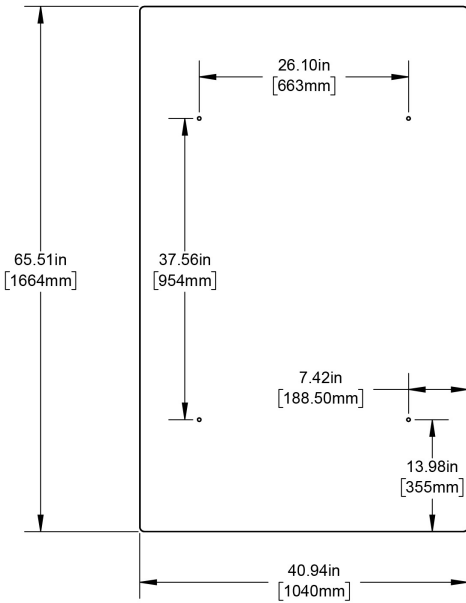
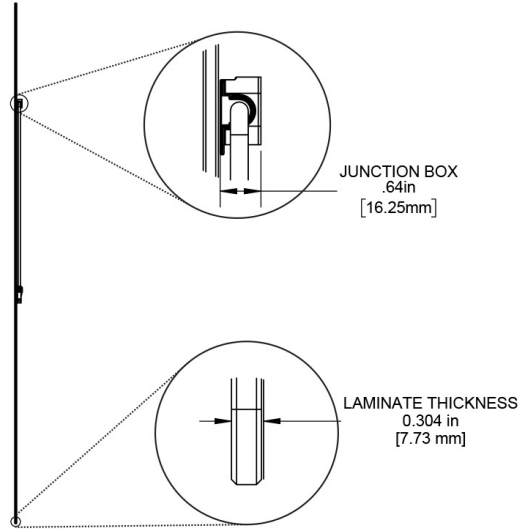
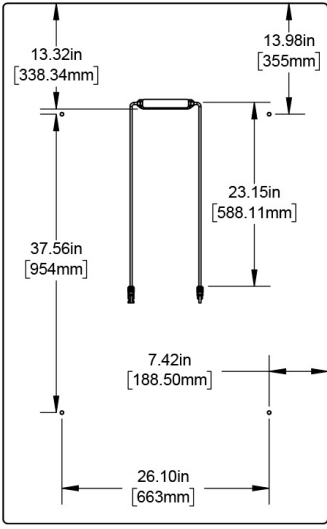
### PATENTED THROUGH-BOLT MOUNTING

- Tamper resistant mounting
- Ease of weatherproofing

# LSX Module System

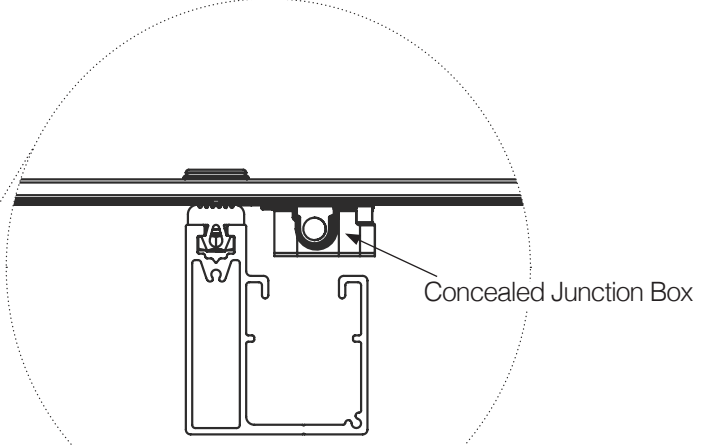
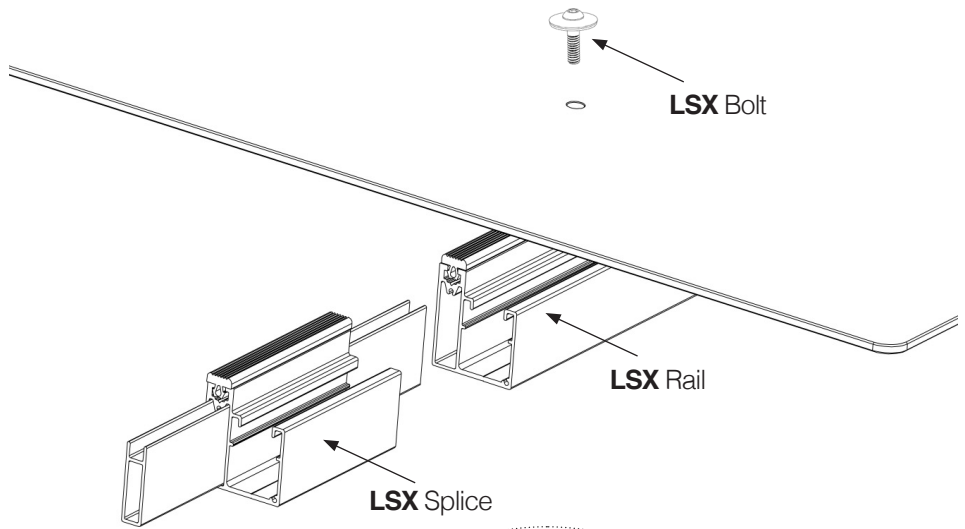


**LSX Module**



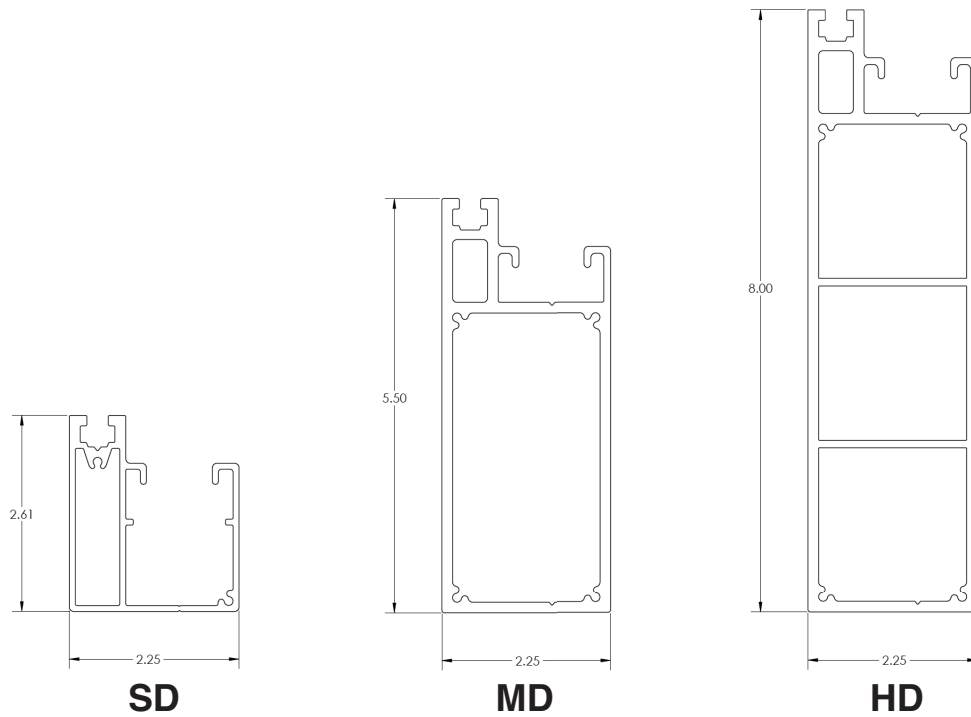
**LSX Laminate**

The **LSX Laminate** can be used as in-fill for areas that may be shaded or where solar cells are not necessary



**LSX Module mounted to LSX Rail**



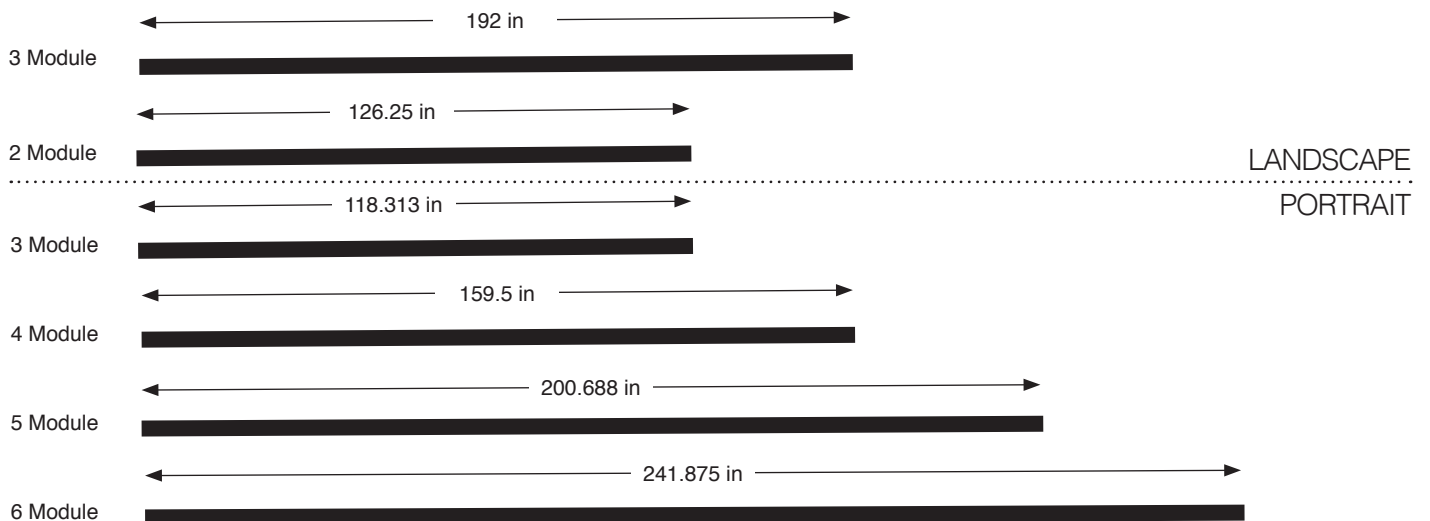


## LSX RAIL SPAN OPTIONS\*

			SD	MD	HD
	Wind Speed (mph)	Snow Load (psf)	Max Span (ft)	Max Span (ft)	Max Span (ft)
Honolulu	110	0	9' 3"	20'	29'
Los Angeles	110	0	9' 3"	20'	28' 6"
Atlanta	115	5	8' 9"	18' 6"	26' 6"
Denver	110	20	7' 9"	16'	23'
Miami	180	0	7' 3"	15' 3"	22'
Boston	130	40	6'	12' 6"	18' 6"

\*Assumes multiple span condition. Additional site factors outside the scope of this chart can increase or decrease the allowable span.

## LSX RAIL MODULAR LENGTHS




## ELECTRICAL SPECIFICATIONS

Model	LSX290	LSX295	LSX300	LSX305	LSX Laminate
Rated Power @ STC	290 W	295 W	300 W	305 W	0
Peak Power Voltage (Vmp)	32 V	32.24 V	32.48 V	32.73 V	0
Maximum Power Current (Imp)	9.06 A	9.15 A	9.24 A	9.32 A	0
Open Circuit Voltage (Voc)	39.77 V	40.11 V	40.45 V	40.79 V	0
Short Circuit Current (Isc)	9.62 A	9.77 A	9.91 A	10.06 A	0
Module Efficiency	16.76%	17.05%	17.34%	17.62%	0
Operating Temperature	-40 °C to 85 °C				0
Maximum System Voltage	1000 V				0
Maximum Series Fuse Rating	15 A				0
Power Tolerance	-0/+3%				0

## TEMPERATURE COEFFICIENTS

Nominal Operating Cell Temperature (NOCT)	43.6 °C
Power Temperature Coefficient (Pmpp)	-0.453 % / °C
Voltage Temperature Coefficient (Voc)	-0.337 % / °C
Current Temperature Coefficient (Isc)	0.054 % / °C

## MECHANICAL SPECIFICATIONS

Solar Cell	Monocrystalline 6" x 6" (156 mm x 156 mm)		
Number of Cells	60 (6 x 10)		
Module Dimensions	65.5" x 41.0" x 1.1" (1664 mm x 1040 mm x 27 mm)		
Module Area	18.65 ft <sup>2</sup> (1.73 m <sup>2</sup> )		
Module Weight	62.6 lb (28.4 kg)		
Module Weight / Area	3.36 lbs/ft <sup>2</sup> (16.42 kg/m <sup>2</sup> )		
System Weight / Area	Rail	Portrait	Landscape
	SD	3.72 lbs/ft <sup>2</sup>	3.98 lbs/ft <sup>2</sup>
	MD	4.12 lbs/ft <sup>2</sup>	4.72 lbs/ft <sup>2</sup>
	HD	4.8 lbs/ft <sup>2</sup>	5.74 lbs/ft <sup>2</sup>
Front Glass	0.24" (6 mm) FT Low-Iron PV Glass		
Backsheet	Clear		
Light Transmittance	Portrait = 12% Landscape = 10%		
Output Cables	12 Awg. PV Wire and MC4 Compatible Connectors		
Static Load	Two Rail: -70/+170 PSF Three Rail: -185/+185 PSF		
Hail	Class 4 Hail Rating Max. Diameter 2" (51 mm) at 72 mph (32 m/s)		
Fire Rating	Class A		
Certifications	 UL 1703 UL 2703		
Warranty	10 years Workmanship 30 years Linear Power Production		



Made in the USA