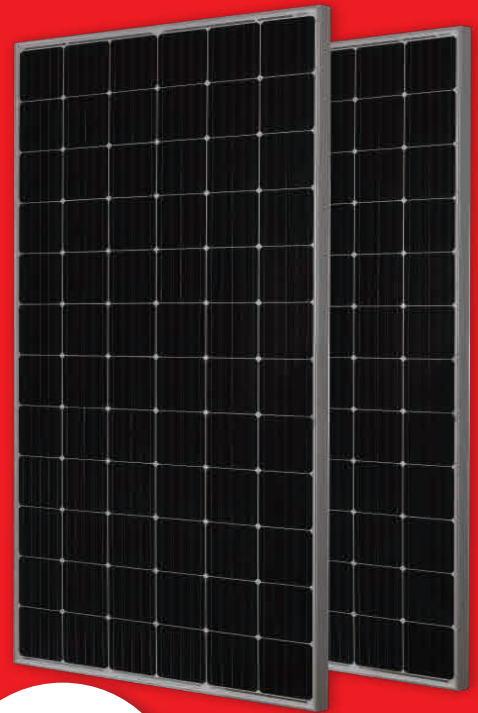
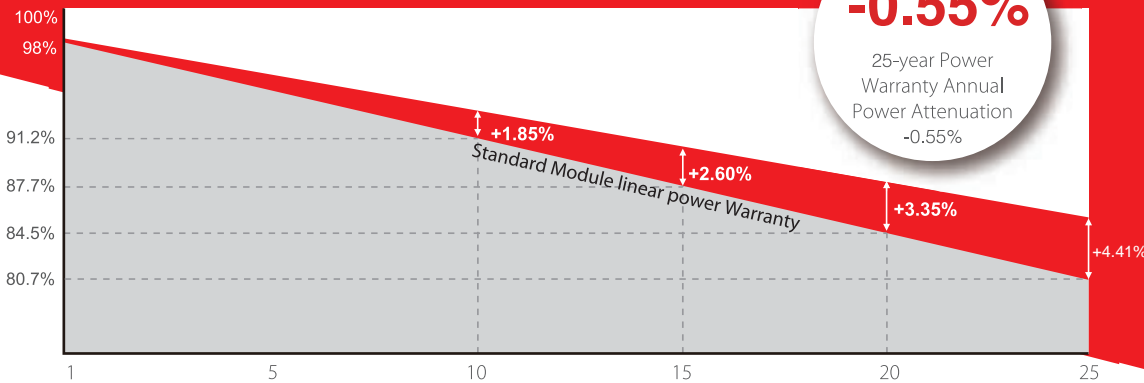


AOX-72M/PRO

**420-440W Mono Module**  
**High Efficiency**  
**Higher Output Power**  
**Low LID Mono PERC**  
**Lower Temperature Coefficient**  
**With Full Technology**



10-year Warranty for Materials and Processing;  
 25-year Warranty for Extra Linear Power Output



**Complete System and Product Certifications**

IEC 61215, IEC 61730  
 ISO 9001:2008  
 ISO 14001:2004  
 OHSAS 18001:2007



**Positive power tolerance** (0 ~ +5W) guaranteed

**High module conversion efficiency** (up to 19.8%)

**Slower power degradation** enabled by Low LID Mono PERC technology: first year <2%, 0.55% year 2-25

**Solid PID resistance** ensured by solar cell process optimization and careful module BOM selection

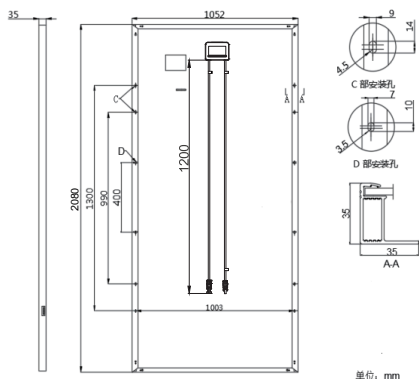
**Reduced resistive loss** with lower operating current

**Higher energy yield** with lower operating temperature

**Reduced hot spot risk** with optimized electrical design and lower operating current

# AOX-72M/PRO 420-440W MBB

## Design (mm)



Units: mm(inch)  
 Tolerance:  
 Length: ±2mm  
 Width: ±2mm  
 Height: ±1mm  
 Pitch-row: ±1mm

## Mechanical Parameters

Cell Orientation: 6 × 12 = 72  
 Junction Box: IP68, three diodes  
 Output Cable: 4mm<sup>2</sup>  
 length can be customized  
 Glass: Single glass  
 3.2mm coated tempered glass  
 Frame: Anodized aluminum alloy frame  
 Weight: 23.5KG  
 Dimension: 2080\*1052\*35mm  
 Packaging: 30pcs per pallet  
 280pcs per 20'GP  
 726pcs per 40'HC

## Operating Parameters

Operational Temperature: -40°C ~ +85°C  
 Power Output Tolerance: 0 ~ +5W  
 Voc and Isc Tolerance: ±3%  
 Maximum System Voltage: DC1500V (IEC/UL)  
 Maximum Series Fuse Rating: 20A  
 Nominal Operating Cell Temperature: 45±2°C  
 Safety Class: Class II  
 Fire Rating: UL type 1 or type 2

## Electrical Characteristics

Test uncertainty for Pmax: ±3%

Model Number	AOX-72M/PRO-420W		AOX-72M/PRO-425W		AOX-72M/PRO-430W		AOX-72M/PRO-435W		AOX-72M/PRO-440W	
Testing Condition	STC	NOCT	STC	NOCT	STC	NOCT	STC	NOCT	STC	NOCT
Maximum Power (Pmax/W)	420	311.1	425	314.8	430	318.5	435	322.2	440	326.0
Open Circuit Voltage (Voc/V)	48.8	45.5	49.0	45.7	49.2	45.9	49.4	46.1	49.6	46.3
Short Circuit Current (Isc/A)	11.04	8.90	11.11	8.95	11.19	9.02	11.26	9.08	11.33	9.13
Voltage at Maximum Power (Vmp/V)	40.2	37.1	40.4	37.3	40.6	37.5	40.8	37.7	41.0	37.9
Current at Maximum Power (Imp/A)	10.45	8.38	10.52	8.44	10.60	8.50	10.67	8.56	10.74	8.61
Module Efficiency(%)	19.2		19.4		19.7		19.9		20.1	

STC (Standard Testing Conditions): Irradiance 1000W/m<sup>2</sup>, Cell Temperature 25°C, Spectra at AM1.5

NOCT (Nominal Operating Cell Temperature): Irradiance 800W/m<sup>2</sup>, Ambient Temperature 20°C, Spectra at AM1.5, Wind at 1m/s

## Temperature Ratings ( STC )

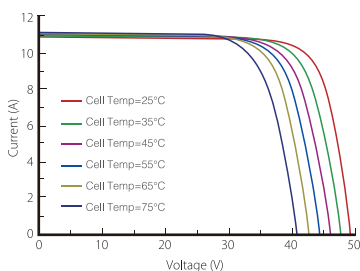
Temperature Coefficient of Isc: +0.057%/°C  
 Temperature Coefficient of Voc: -0.286%/°C  
 Temperature Coefficient of Pmax: -0.370%/°C

## Mechanical Loading

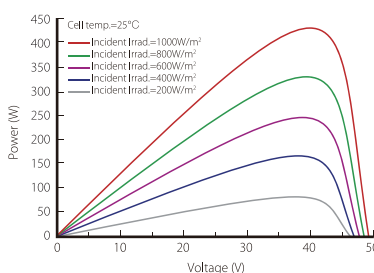
Front Side Maximum Static Loading: 5400Pa  
 Rear Side Maximum Static Loading: 2400Pa  
 Hailstone Test: 25mm Hailstone at the speed of 23m/s

## I-V Curve

Current-Voltage Curve(AOX-72M/PRO-430W)



Power-Voltage Curve(AOX-72M/PRO-430W)



Current-Voltage Curve(AOX-72M/PRO-430W)

