

- a. GLASS
- b,d. EVA
- c. CELL
- e. BACKSHEET
- f. FRAME
- g. JUNCTION BOX

## GLASS

- High Light transmission giving more electricity
- Excellent mechanical loading performance (5400pascal)
- UL ISO Certified

## EVA

- High Light transmission assuring better power performance
- High Gel and Peeling strength guarantying strong encapsulation
- Good ultraviolet aging resistance
- UL ISO Certified

## CELL

- Excellent efficiency and long term reliability
- Good performance under high temperature and low irradiance conditions
- 100% In-line Electroluminescence(EL) tested
- Positive tolerance for each panel
- UL ISO Certified

## BACKSHEET

- 3M and TEDLAR based encapsulation and protection
- Good aging resistance guarantying strong durability performance
- Excellent adhesion and ultraviolet stability
- UL ISO Certified

## FRAME

- Anodized/Electrophoretic aluminum means durable protection from environment
- Unique designed profile ensuring strong mechanical loading performance
- Silver/Black/Orange Color available

## JUNCTION BOX

- Reliable by-pass diodes assuring good product protection locking connector working compatible worldwide
- Excellent heat emission performance
- IP 65 or IP 67 protection
- UL ISO Certified

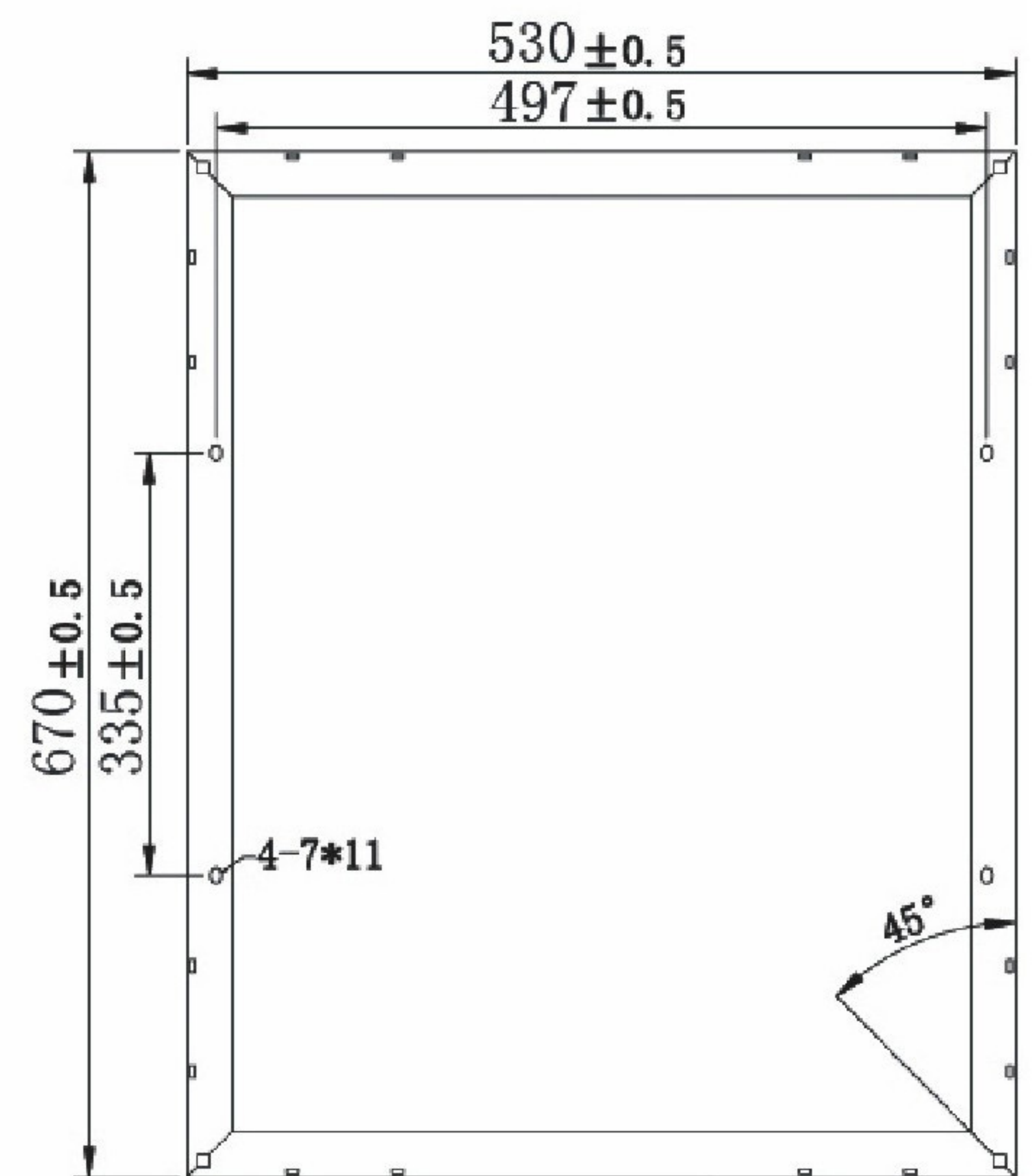


## Electrical Characteristics

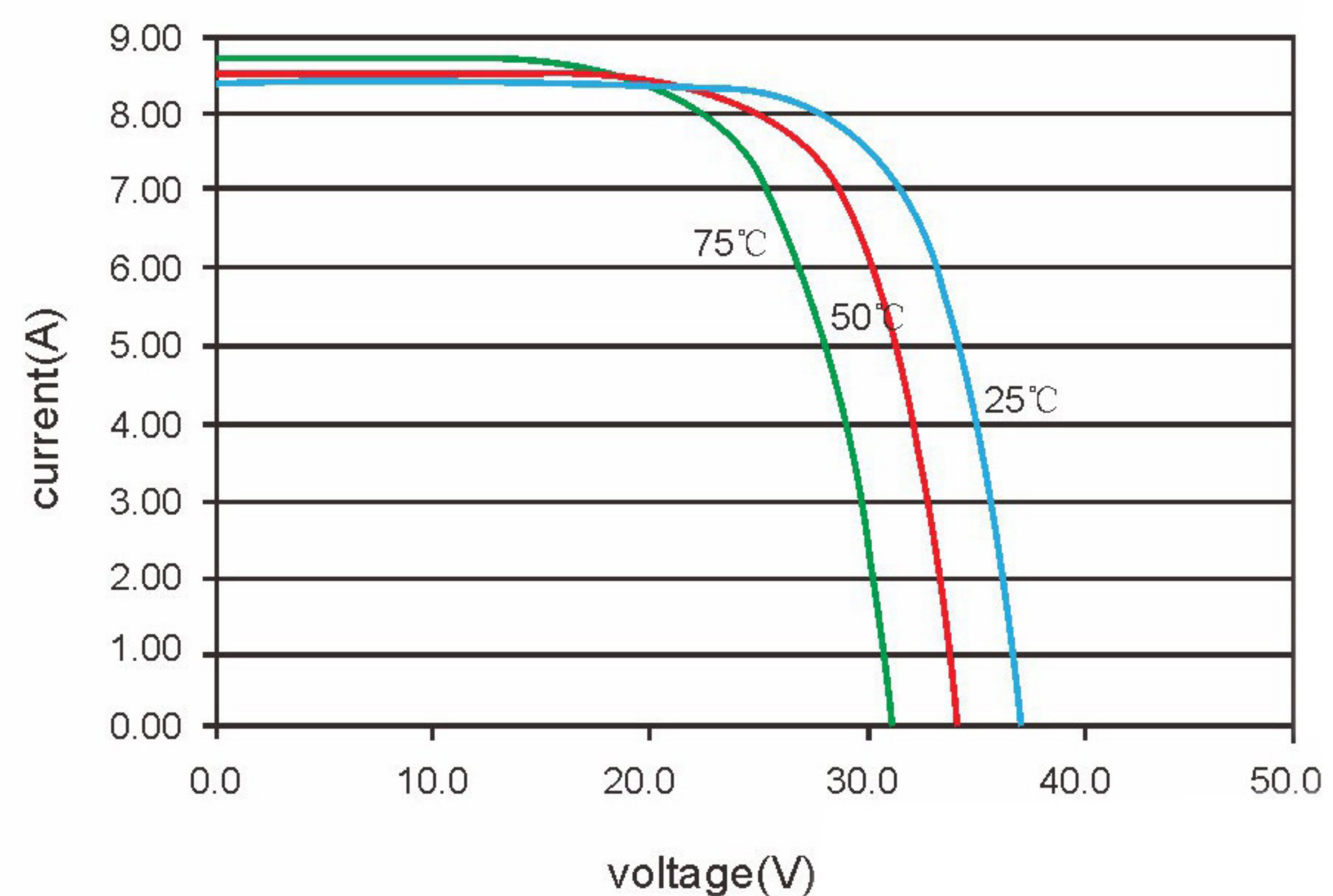
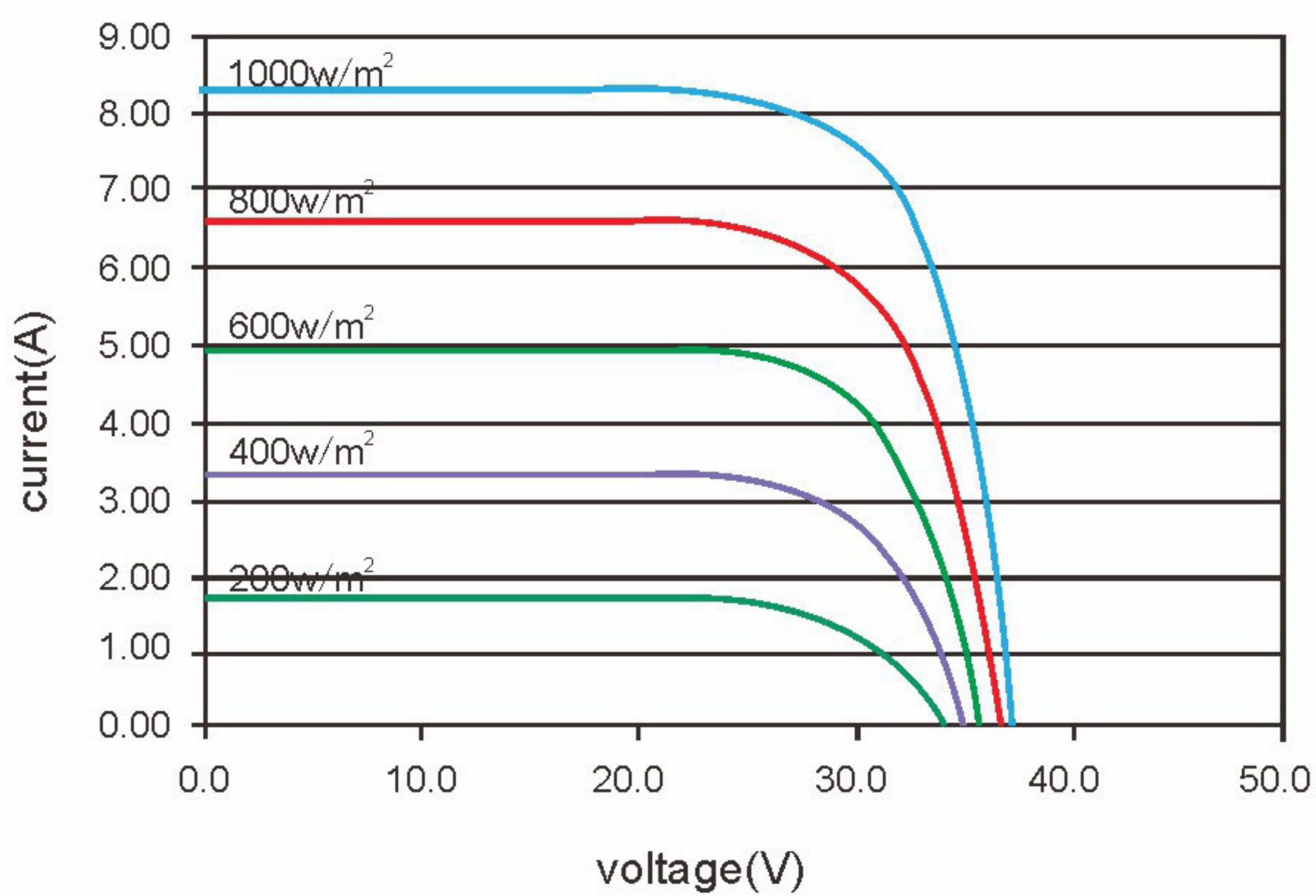
Module Type	Unit	JS-P30	JS-P60	JS-P90	JS-P150
Rated Power STC(Pmp)	W	30	60	90	150
Power Tolerance	W	±3.1%	(0, +5)	(0, +5)	(0, +5)
Power Maximum at STC	W	35	65	95	155
Cell Efficiency	%	17.6-17.4	17.6-17.4	17.6-17.4	17.6-17.4
Module Efficiency(Min)	%	15.4	15.4	15.4	15.4
Open Circuit Voltage	V	18	18	18	18
Short-circuit current(Isc)	A	1.76	3.51	2.63	8.77

## Temperature Characteristics

Operating Temperature	°C	(-45~+80)
Voc Temperature Coefficient	%/°C	-0.35
Isc Temperature Coefficient	%/°C	0.04



## Current-Voltage & Power-Voltage Curve



## Mechanical Specifications

Dimensions	510*450*25mm	620*670*25mm	1200*540*35mm	1480*670*35mm
Weight	2.7KG	5.0KG	6.6KG	10.5KG
Solar Cells	156*32.5mm	156*65mm	156*52mm	156*156mm
Front Glass	3.2mm tempered glass, low iron			
Frame	Anodized/Electrophoretic aluminum alloy			
Junction Box	IP65/67			