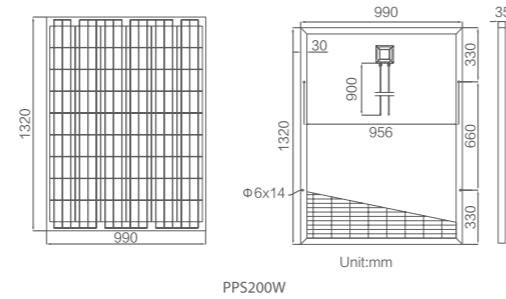
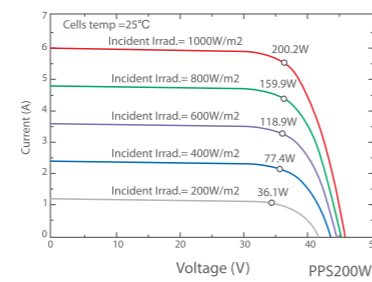


POLYCRYSTALLINE SOLAR MODULE 160-200W

Engineering Drawings

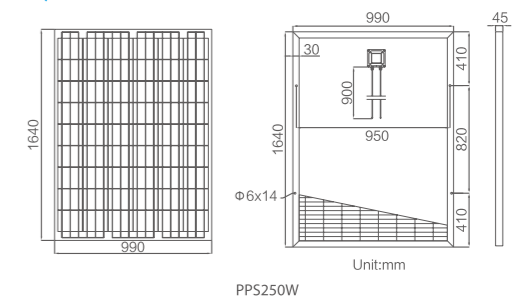


Current-Voltage Curves

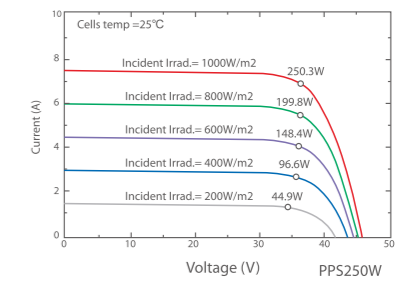


POLYCRYSTALLINE SOLAR MODULE 210-250W

Engineering Drawings



Current-Voltage Curves



TECHNICAL SPECIFICATIONS

Model	SPS160W	SPS170W	SPS180W	SPS190W	SPS200W					
Electrical Characteristics 电性能										
	STC	NOCT	STC	NOCT	STC	NOCT	STC	NOCT	STC	NOCT
Maximum Power (Pmax)	160Wp	118Wp	170Wp	125Wp	180Wp	132Wp	190Wp	140Wp	200Wp	147Wp
Maximum Power Voltage (Vmpp)	36.0V	33.3V	36.0V	33.3V	36.0V	33.3V	36.0V	33.3V	36.0V	33.3V
Maximum Power Current (Impp)	4.44A	3.54A	4.72A	3.75A	5.00A	3.97A	5.28A	4.20A	5.56A	4.41A
Open Circuit Voltage (Voc)	45.0V	42.4V	45.0V	42.4V	45.0V	42.4V	45.0V	42.4V	45.0V	42.4V
Short Circuit Current (Isc)	4.80A	3.88A	5.10A	4.12A	5.40A	4.36A	5.70A	4.59A	6.00A	4.84A
Power Tolerance(Positive)	5%		5%		5%		5%		5%	
Module Efficiency STC	15.10%		15.20%		15.41%		15.35%		15.30%	
Operating Temperature Range	-40°C to +85°C									
Maximum System Voltage	1000V									
Series Fuse Rating	15A									
Temperature Coefficient of Pmax	-0.44 %/°C									
Temperature Coefficient of Voc	-0.33 %/°C									
Temperature Coefficient of Isc	0.055 %/°C									
Nominal Operating Cell Temperature(NOCT)	45 ± 2°C									
Mechanical Characteristics 机械性能										
Cell Type	Polycrystalline 156x156 mm									
Cell Number	72 (6x12)									
Dimensions (mm)	990x1070x35	990x1130x35	990x1180x35	990x1250x35	990x1320x35					
Weight(Kgs)	11.69	12.35	12.70	13.40	14.10					
Front Glass	3.2 mm, High Transmission, Low Iron, Tempered Glass									
Frame Type	Anodized Aluminium Alloy									
Junction Box Protection Class	IP 67 Rated									
Connector Type	MC4									
Output Cables	2.5 mm ² , Length:900 mm					4 mm ² , Length:900 mm				

TECHNICAL SPECIFICATIONS

Model	SPS210W	SPS220W	SPS230W	SPS240W	SPS250W					
Electrical Characteristics 电性能										
	STC	NOCT	STC	NOCT	STC	NOCT	STC	NOCT	STC	NOCT
Maximum Power (Pmax)	210Wp	154Wp	220Wp	162Wp	230Wp	169Wp	240Wp	176Wp	250Wp	183Wp
Maximum Power Voltage (Vmpp)	36.0V	33.3V	36.0V	33.3V	36.0V	33.3V	36.0V	33.3V	36.0V	33.3V
Maximum Power Current (Impp)	5.83A	4.63A	6.11A	4.87A	6.39A	5.08A	6.67A	5.29A	6.94A	5.50A
Open Circuit Voltage (Voc)	45.0V	42.4V	45.0V	42.4V	45.0V	42.4V	45.0V	42.4V	45.0V	42.4V
Short Circuit Current (Isc)	6.30A	5.08A	6.60A	5.32A	6.90A	5.56A	7.20A	5.80A	7.50A	6.04A
Power Tolerance(Positive)	5%		5%		5%		5%		5%	
Module Efficiency STC	15.15%		15.02%		15.18%		15.34%		15.40%	
Operating Temperature Range	-40°C to +85°C									
Maximum System Voltage	1000V									
Series Fuse Rating	15A									
Temperature Coefficient of Pmax	-0.44 %/°C									
Temperature Coefficient of Voc	-0.33 %/°C									
Temperature Coefficient of Isc	0.055 %/°C									
Nominal Operating Cell Temperature(NOCT)	45 ± 2°C									
Mechanical Characteristics 机械性能										
Cell Type	Polycrystalline 156x156 mm									
Cell Number	72 (6x12)									
Dimensions (mm)	990x1400x45	990x1480x45	990x1530x45	990x1580x45	990x1640x45					
Weight(Kgs)	16.00	16.85	17.30	18.20	18.75					
Front Glass	3.2 mm, High Transmission, Low Iron, Tempered Glass									
Frame Type	Anodized Aluminium Alloy									
Junction Box Protection Class	IP 67 Rated									
Connector Type	MC4									
Output Cables	4 mm ² , Length:900 mm									