

StecaGrid 300 and StecaGrid 500

The inverters series comprises the StecaGrid 300 and StecaGrid 500 inverters, with rated outputs of 300 W and 500 W, respectively.

StecaGrid 300 and StecaGrid 500 are built in a modular manner, and simple to install. With distribution over three phases, the system can at any time be expanded as desired, and thus flexibly adapts to your solar power system investment. StecaGrid 300 and StecaGrid 500 have an independent MPP tracker and achieve a very high efficiency of up to 95.8 %.



Product features

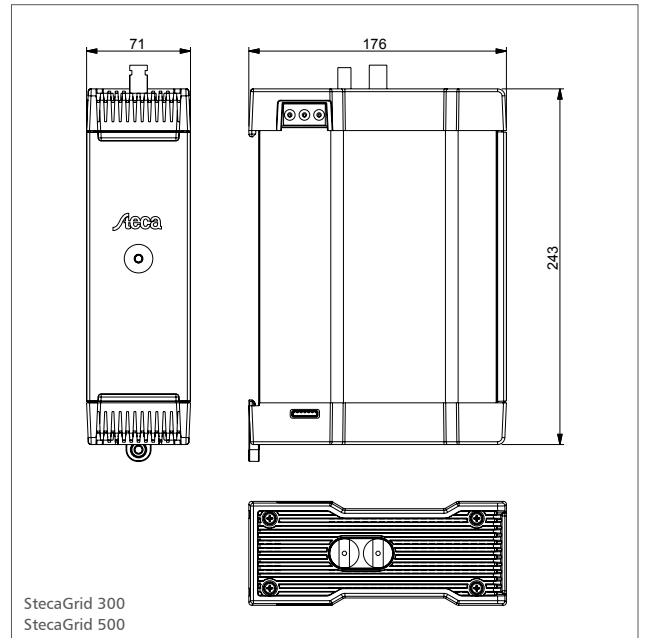
- Flexible and expandable
- High efficiency
- Low weight
- Simple installation
- Wall-mounting with top-hat rail

Displays

- Multi-coloured LED shows operating status

Options

- United Kingdom variants as per G83 available
- Spain variants available



System monitoring and accessories



StecaGrid Control N1
Monitoring unit



StecaGrid Remote
Monitoring unit



ALD1
Digital energy meter

	StecaGrid 300	StecaGrid 500
DC input side (PV-generator)		
Maximum input voltage	135 V	230 V
Minimum input voltage for feeding	45 V	
MPP voltage for rated output	64 V ... 100 V	106 V ... 170 V
Maximum input current	5 A	
Maximum input power at maximum active output power	320 W	530 W
Maximum recommended PV power	375 Wp	625 Wp
AC output side (Grid connection)		
Grid voltage	185 V ... 276 V (depending on regional settings)	
Rated grid voltage	230 V	
Maximum output current	1.5 A	2.17 A
Maximum active power (cos phi = 1)	300 W	500 W
Rated power	300 W	500 W
Rated frequency	50 Hz	
Frequency	47 Hz ... 52 Hz (depending on regional settings)	
Night-time power loss	0 W	
Feeding phases	single-phase	
Distortion factor (cos phi = 1)	< 6 % (max. power)	< 5 % (max. power)
Power factor cos phi	1	
Characterisation of the operating performance		
Maximum efficiency	94.8 %	95.8 %
European efficiency	93.4 %	94.5 %
MPP efficiency	99 %	
Power derating at full power	from 40 °C	
Safety		
Isolation principle	no galvanic isolation, transformerless	
Grid monitoring	voltage (230 V +/-10%) frequency (50 Hz +/-2 Hz)	
Grid monitoring version StecaGrid 300 UK resp. 500 UK	voltage (230 V +/-10 %) frequency (50 Hz +/-2 Hz)	
Grid monitoring version StecaGrid 300 ES resp. 500 ES	voltage (230 V +/-10 %) frequency (50 Hz +/-1 Hz)	
Operating conditions		
Area of application	indoor rooms, with or without air conditioning	
Ambient temperature	-20 °C ... +45 °C	
Relative humidity	0 % ... 95 %	
Noise emission (typical)	< 32 dBA	
Fitting and construction		
Degree of protection	IP 20	
Overvoltage category	II	
DC Input side connection	Multi-Contact MC 3, MC 4	
AC output side connection	Wieland Electric GST 18i3V plug	
Dimensions (X x Y x Z)	176 x 243 x 71 mm	
Weight	1.4 kg	
Communication interface	no	
Integrated DC circuit breaker	no	
Cooling principle	natural convection	
Test certificate	CE mark, DK 5940, G83, RD1663	

