

**Evershine
TL5000**



   **G59/2 CE SAA RD1663 PPC EN50438 BSMI**

High Efficiency String Inverter

Features:

- Dual MPP trackers allow more energy harvesting
- Wide range of DC input and MPPT voltage
- Maximum efficiency of 97.3%
- Perfect protection for safety
- Multiple monitor mode
- Software updates via USB
- Lightweight, easy installation and maintenance
- Visible at night (Optional)

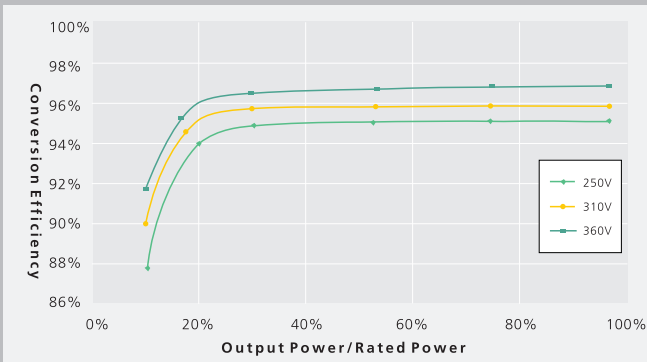


ZEVERsolar
Part of the SMA Group

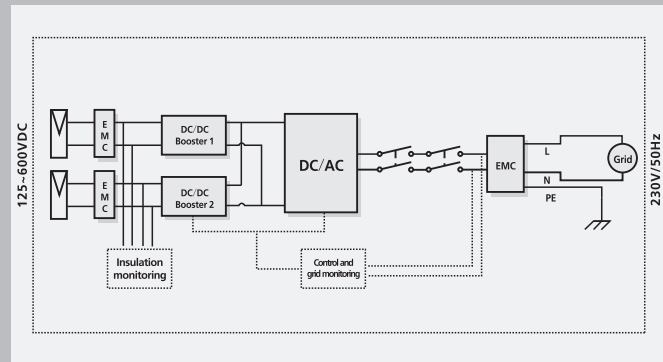
JIANGSU ZEVSOLAR NEW ENERGY CO.,LTD.
ADD: No. 198 Xiangyang Road, Suzhou, China

Tel: +86 512 6937 0998
Fax: +86 512 6937 0630
E-mail: sales@zevsolar.com
Web: www.zevsolar.com

Efficiency Curve:



Circuit Diagram:



Technical Data

TL5000

DC input data

Max. PV-generator power [W]
Max. DC Voltage [V]
Rated input Voltage[V]
MPP voltage range [V]
Full load mpp voltage range [V]
Turn off DC Voltage [V]
Start voltage [V]
Max. DC current [A]
Number of DC connection
Number of MPP trackers
Turn on power [W]
DC switch

5300
600
360
125-520
225-520
90
150
15/15
2/2
2
10
Optional

Output data

Power connection
Rated AC power [W]
Max .apparent AC Power [VA]
Grid voltage range
Grid frequency range
Rated current [A]
Max. current [A]
Power factor
Harmonic distortion (THD) at rated output
Power consumption at night [W]
Power consumption at standby [W]
Active and Reactive Power

Single phase
4600(Germany)/5000
4600(Germany)/5000
According to VDE-AR-N 4105,IEEE1547,G83/1,G59/2, AS4777and safty regulation of other Europe countries
22(20 for Germany)
25
0.95 inductive ...0.95 capacitive
<3%
<1
6
With the function of active power adjustment and reactive power compensation

MPPT efficiency

MPPT adaptation efficiency

99.90%

Conversion Efficiency

Max. efficiency
Euro efficiency (at 360VDC)

97.30%
96.50%

Safety equipment

Internal surge protection(according to IEC 61643-1)
DC Insulation monitoring
Earth fault protection
Mains monitoring
Earth fault current monitoring
DC current monitoring
Islanding protection
Safety requirement

Type 3
Integrated
Integrated
Integrated
Integrated
Integrated
AFD
VDE-AR-N 4105,IEEE1547,G83/1,G59/2, AS4777

General data

Dimensions (WxHxD) [mm]
Weight [kg]
Installation environment
Mounting information
Operating temperature range
Relative humidity
IP protection type
Isolation type
Cooling concept
Noise level
LED display
LCD display
Communication interface
Standard warranty

405*480*200
19.3
Indoor and outdoor
Wall Bracket
-25°C ...+60°C(up 45°C derating)
0% ~ 98%, no condensation
IP 65 according to IEC 60529
Transformerless
Convection
<40dB(A)@1m
3
Backlight, 16 x 2 Characters LCD, Visible at night(Optional)
RS485/USB
5 years