



HS500K3

Feature

- Wide DC input voltage range
- The maximum efficiency is more than 97.8%, European efficiency reach to 97.1%
- Operating temperature range -20°C~+50°C
- MPPT efficiency >99.9%
- Use LCD displayer to display in different language screen and set all parameters conveniently
- AC output can connect with low voltage 400V, A/B/C three phase to be chosen needless of order
- Perfect protection function
- LVRT function
- Remote parameter monitoring function
- Remote continuously adjustable power function (0-100%)
- Over temperature linear derating function
- With functions of phalanx insulation impedance test
- Support multi-parallel

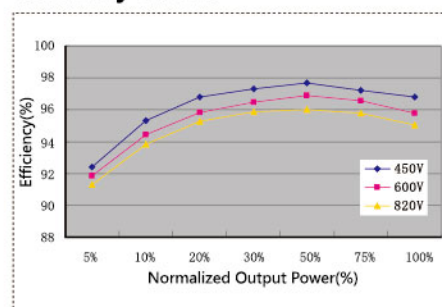
Protection function

- Over/under voltage protection
- Over/under frequency protection
- Anti-islanding protection
- Recovery grid-connected protection
- Over load protection
- Remote parameter monitoring function
- Over temperature protection

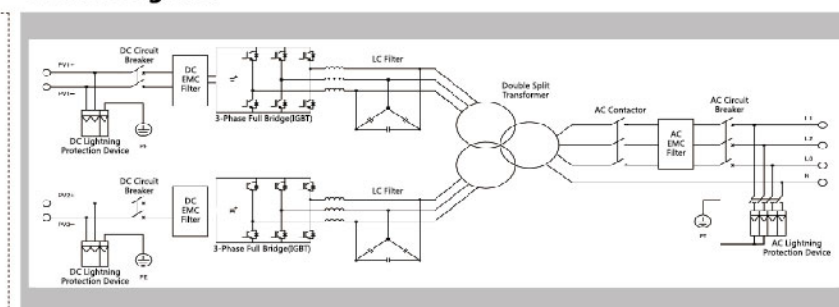
Measuring and control function

- Monitoring all data of running machine
- Keep fault and operation record, warning signal when fault

Efficiency Curve:



Circuit Diagram:



Input(DC)	
Max. DC power	550kW
Max. input voltage	880V
Max. input current	1200A
MPP voltage range	450~820V
Number of DC inputs	10
Output(AC)	
Rated power	500kW
Rated grid voltage	400V
Max. output current	800A
Rated grid frequency	50Hz
Grid voltage range	340~440V
Grid frequency range	49.5~50.2Hz
Output current THD(at rated power)	≤3%
Power factor at rated power	≥0.99
Output voltage DC component	<0.5%
Grid structure	TT / TN-S / TN-C
AC output / Output terminal	5×M8/ Copper Bar
System data	
Max. efficiency	97.7% (with transformer)
European efficiency	97.1% (with transformer)
Degree of protection	IP21 (indor)
Self-consumption at night	≤60W
Operating temperature range	-20°C~+50°C
Storage temperature range	-40°C~+80°C
Cooling method	By fan
Relative humidity	≤95% , non-condensing
Max. altitude	6000m
Fresh air consumption	8000m³/h
Display	LCD
Standard communication	RS485
Optional communication	Ethernet/GPRS
Mechanical data	
Dimensions (W×H×D)	2150×1980×850+1230×1980×850mm
Weight	3000kg

HS250K3TL/HS500K3TL

Feature

- Bring in the advanced SVPWM and DSP technology from USA
- Wide DC input voltage range
- Double lines MPPT function
- MPPT efficiency >99.9%
- Use LCD displayer to display in different language screen
- Perfect protection function
- Meet State Grid LVRT requirement
- Remote parameter monitoring function
- Remote active power adjustable function (0-100%)
- Adjustable reactive power, power factor range will head 0.95 or back 0.95
- Over temperature linear derating function
- Drive signal spdif out and avoid other signal interference
- LCL inverter filter and smaller harmonic
- Smart controlled cooling fan, automatically match high and low speed and save electricity to improve generation capacity
- Structure optimization design and small occupation space
- Automatically on and off model and needless of manual intervention
- Heat dehumidification function



Input(DC)	HS250K3TL	HS500K3TL
Max. DC power	275kW	550kW
Max. input voltage	1000V	1000V
Trigger voltage	480V	480V
Max. input current	600A	1200A
MPP voltage range	450~850V	450~850V
MPPT tracking ways	1	2
Number of DC inputs	5 (optional)	10 (optional)
Output(AC)		
Rated power	250kW	500kW
Rated grid voltage	270V	270V
Max. output current	590A	1180A
Rated grid frequency	50Hz	50Hz
Grid voltage range	230~297V	230~297V
Grid frequency range	49.5~50.2Hz	49.5~50.2Hz
Output current THD(at rated power)	≤2%	≤2%
Power factor at rated power	≥0.99	≥0.99
Output voltage DC component	<0.5%	<0.5%
AC output / Output terminal	3×M10/ Copper Bar	4×M10/ Copper Bar
System data		
Max. efficiency	98.7% (No transformer)	98.7% (No transformer)
European efficiency	98.4% (No transformer)	98.4% (No transformer)
Degree of protection	IP21 (indor)	IP21 (indor)
Self-consumption at night	≤60W	≤60W
Operating temperature range	-20°C~+50°C	-20°C~+50°C
Storage temperature range	-40°C~+80°C	-40°C~+80°C
Cooling method	By fan	By fan
Relative humidity	≤95% , non-condensing	≤95% , non-condensing
Max. altitude	6000m	6000m
Fresh air consumption	2500m³/h	5000m³/h
Display	LCD	LCD
Standard communication	RS485	RS485
Optional communication	Ethernet/GPRS	Ethernet/GPRS
Mechanical data		
Dimensions (W×H×D)	1400×1980×880mm	1735×1980×1080mm
Weight	900kg	1400kg