

BSG500KTL-A

Non-isolated PV Grid-tied Inverter



Performance Features

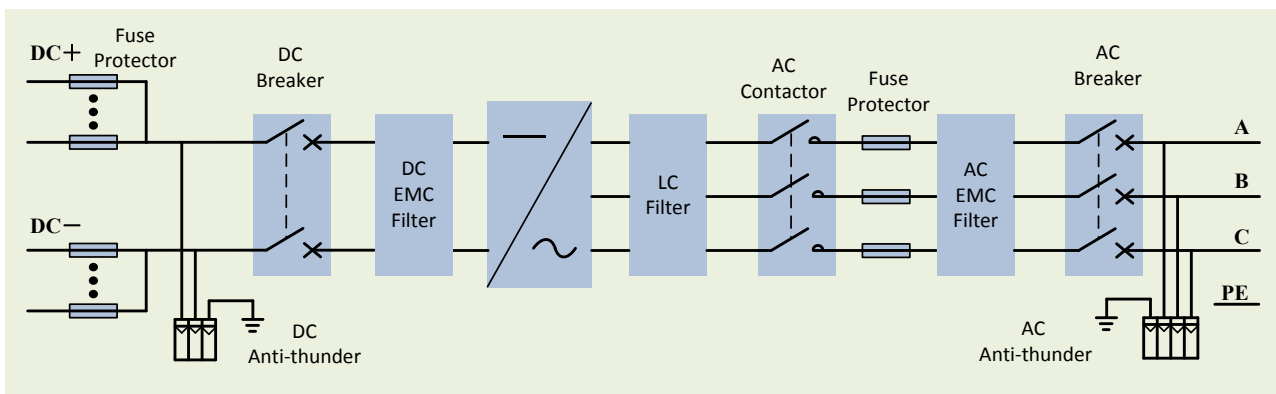
- Wide DC voltage input range, max. voltage up to 1000V
- Output harmonic wave is small, max. efficiency is up to 98.5%
- Sustainable operation under the environment temperature of 40°C
- operate with the power of 110%
- Wide MPPT tracking range and high efficiency MPPT
- IP 54 protection grade, installation both indoors and outdoors
- Adjustable reactive power
- Active power derating
- Thin-film capacitor design improve the system service life
- Having night SVG function, response the grid modulation command
- all weather

- CQC,CGC Certification , low voltage ride through

Brief Introduction

The conversion efficiency of BSG500KTL-A Non-isolated PV Grid-tied Inverter is up to 98.5% with IP54 protection grade design, which is installed indoors, outdoors or containers, applicable to large-medium PV station, with the advantages of high conversion efficiency, high generation, reliable operation and strong stability.

System Topological Graph



Technical Parameters

Parameters at DC Side	Max. DC Voltage	1000Vdc
	Max. Power Voltage Tracking Range	450-820Vdc
	Max. Input Power	612kW
	Max. Input Current	1200A
	Max. Input Channels/Connection Point	8/16 DC Breaker Connection

BSG500KTL-A

Non-isolated PV Grid-tied Inverter

Parameters at AC Side	Nominal Output Power	500kW
	Nominal Grid Voltage	270Vac
	Grid Voltage Range	230~297Vac
	Nominal Output Current	1069A
	Nominal Grid Frequency	50Hz
	Grid Frequency Range	48~50.5Hz
	Power Factor	0.8 (ahead)~0.8 (lag)
	THD	<3%(Nominal Power)
System Parameter	Isolation Method	Isolation without Transformer
	Max. Efficiency	98.5%
	European Efficiency	98 %
	Enclosure Protection Grade	IP54 (Indoors or Outdoors)
	Allowable Environment Temperature	-25~+55℃
	Allowable Relative Humidity	5~95% (No Condensation)
	Allowable Max. Altitude	6000m(3000m+ Derating)
	Noise	<70dB
	Cooling Method	Intelligent Forced Air Cooling
	Self-consumption of Electricity at Night	<80W
	Fresh Air Consumption	10000m3/h
Display		Touch Screen
Communication Interface		RS485
Protection Function	Short-circuit Protection	√
	Over-load Protection	√
	DC Over-voltage and Under-voltage Protection	√
	Grid Monitoring	√
	Insulation Monitoring	√
	Over-temperature Protection	√
	DC Reverse Polarity Protection	√
	Islanding Protection	Active and Passive Detection
Mechanical Parameter	Dimension (W/L/D) (mm)	2200/800/2200
	Weight (kg)	1850
Reference Standard	EMC	IEC 61000-6-2、IEC 61000-6-4
	Safety	IEC 62109-1
	On-grid	GB/T 19939-2005、CGC/GF004:2011
Product Certification		CQC、CGC、Low-voltage Ride Through