



Features

- Low Frequency Transformer , High Safety , Strong Overload ability
- Multi-functions achieved by one device, such as independent loading, export electricity to grid , AC charge
- AC IN side support Grid or generator to improve the reliability for electricity use Multi-Application Mode available(UPS ; Load shifting ; Intelligent Electricity Supply; Electricity Feed applicable etc) & Parameter setting
- Multi Application: can make as a DC BUS storage system with MPPT controller
- for the new PV system user; can add to the existed on grid solar system to make an AC BUS system ; Can make three phase system with 3 devices
- Adopt the advanced DSP & Digital Control Technology which makes the system more stable and reliable.
- Multi-type battery compatible (Lead-acid , Gel , Lithium-Battery), Battery Management function
- Three stage battery charge control (bulk/float/absorb)
- Recharge batteries from the grid to protect batteries when the battery is too low
- Automatic change into off grid mode when grid fails
- LCD Display, user friendly interface in multi-lingual language
- Separate product available , also can offer as system in cabinet

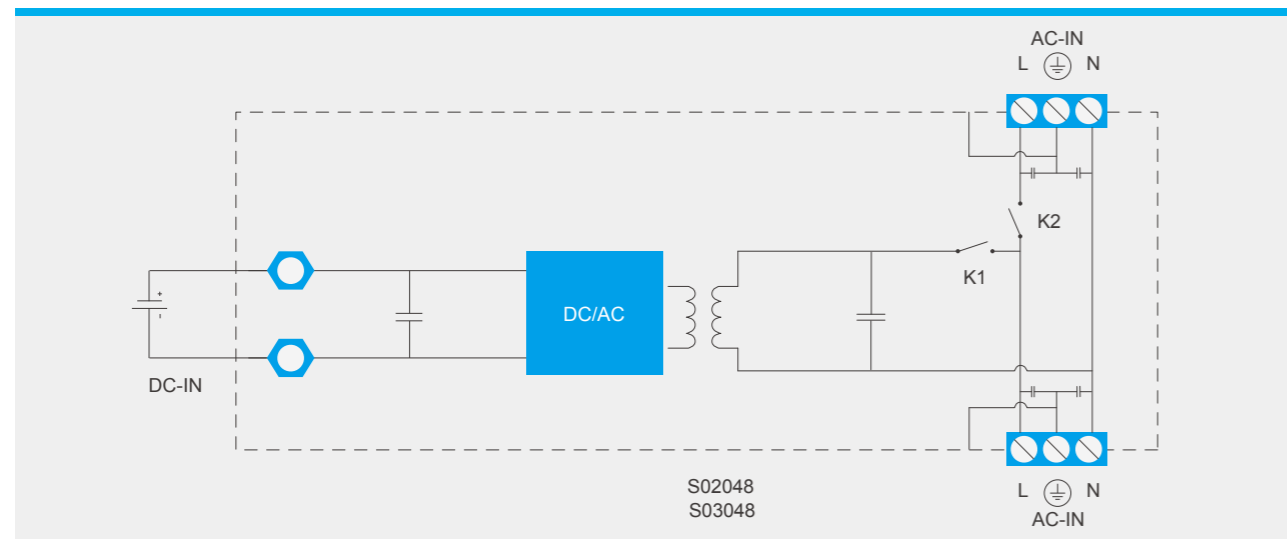
Applications

- (Mobile) communication base station
- General family-roof top projects
- Small commercial and industrial areas
- Areas where there is peak-valley grid price or grid is not reliable

Solar Hybrid™ Series



Diagram



Technical Data

| Inverter Model | SO2048 | SO3048 | SO4048 | SO5048 | SO6048 |
|-------------------------------|--|--|--|---|---|
| Battery Rated Voltage | 48V | 48V | 48V | 48V | 48V |
| Battery Voltage Range | 41V – 63V | 41V – 63V | 41V – 63V | 41V – 63V | 41V – 63V |
| Continuous rated output power | 2000W | 3000W | 2000W | 3000W | 3000W |
| Overload Ability | 2200W(30min), 3200W(5s), 4000W (surge) | 3200W(30min), 4800W(5s), 6000W (surge) | 4400W(30min), 6000W(5s), 8000W (surge) | 5500W(30min), 7500W(5s), 10000W (surge) | 6600W(30min), 9000W(5s), 12000W (surge) |
| Rated AC Voltage | Grid Tied Voltage | 220V/230V/240V | 220V/230V/240V | 220V/230V/240V | 220V/230V/240V |
| | Inverter Voltage | 220V/230V/240V | 220V/230V/240V | 220V/230V/240V | 220V/230V/240V |
| Rated AC Frequency | 50Hz/60Hz | 50Hz/60Hz | 50Hz/60Hz | 50Hz/60Hz | 50Hz/60Hz |
| Rated AC output Current | 8.7A | 13A | 17.4A | 21.7A | 26A |
| Max efficiency | 93% | 93% | 93% | 93% | 93% |
| THD | Grid Tied Current | < 4% | < 4% | < 4% | < 4% |
| | Inverter Voltage | < 2% | < 2% | < 2% | < 2% |
| AC Input Max Current | 21A | 30A | 50A | 50A | 50A |
| AC Input Voltage Range | 184Vac–264.5Vac | 184Vac–264.5Vac | 184Vac–264.5Vac | 184Vac–264.5Vac | 184Vac–264.5Vac |
| AC Input Frequency Range | 47.5Hz– 51.5Hz/57.5Hz- 61.5Hz | 47.5Hz– 51.5Hz/57.5Hz- 61.5Hz | 47.5Hz– 51.5Hz/57.5Hz- 61.5Hz | 47.5Hz– 51.5Hz/57.5Hz- 61.5Hz | 47.5Hz– 51.5Hz/57.5Hz- 61.5Hz |
| On/Off grid Switching time | < 20ms | < 20ms | < 20ms | < 20ms | < 20ms |
| Output waveform | Pure Sine Wave | Pure Sine Wave | Pure Sine Wave | Pure Sine Wave | Pure Sine Wave |
| Communication | RS 485 | RS 485 | RS 485 | RS 485 | RS 485 |
| Operating Temperature Range | 0°C – 45°C | 0°C – 45°C | 0°C – 45°C | 0°C – 45°C | 0°C – 45°C |
| Operating Humidity | 10% – 90% | 10% – 90% | 10% – 90% | 10% – 90% | 10% – 90% |
| Elevation | < 2000m | < 2000m | < 2000m | < 2000m | < 2000m |
| Degree of protection | Indoor (IP20) | Indoor (IP20) | Indoor (IP20) | Indoor (IP20) | Indoor (IP20) |
| Dimension(W/H/D) | 480mm×300 mm×158mm | 480mm×300 mm×158mm | 280 mm×451 mm×530 mm | 280 mm×451 mm×530 mm | 280 mm×451 mm×530 mm |
| Weight | 25Kg | 26.7Kg | 52Kg | 52Kg | 52Kg |
| Warranty(2 / 5 / 7 years) | Yes/Opt./Opt. | Yes/Opt./Opt. | Yes/Opt./Opt. | Yes/Opt./Opt. | Yes/Opt./Opt. |