



### Features

- Pure sine wave output
- Microprocessor controlled to guarantee stable output waveform
- Offering LED and Key for Selection

### Flexibility

- Easy installation and free maintenance
- RS485 communication

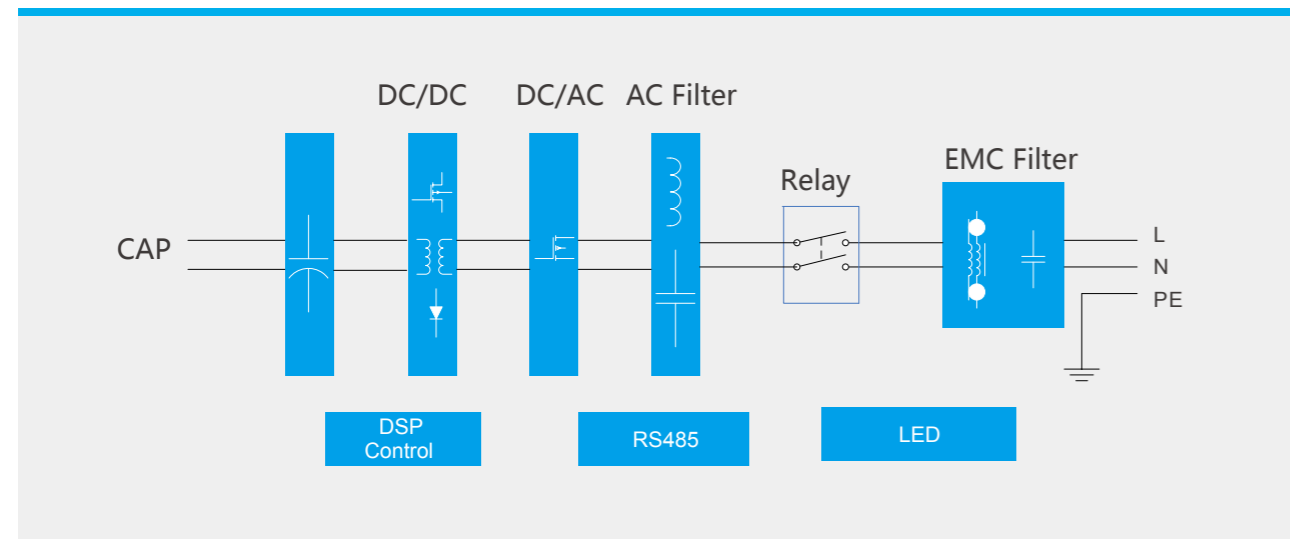
### Reliability

- Reliable protection for over/under voltage, over temperature, short circuit, overload, etc.
- 2-year free quality warranty extends to 7-years optional

## Solar Off-Grid™ Series



### Diagram



### Technical Data

Inverter Model	POG600	POG1K	POG2K	POG3K
Battery voltage	12V	24V	48V	48V
Voltage range	10.5V-15V	21V-30V	42.5V-60V	
No load loss	11W	23W	28W	35W
DC connection	Quickly Terminal Blocks		Quickly Terminal Blocks	
AC output voltage	202/208/220/230/240VAC±5%			
Frequency	50Hz/60Hz			
Continuous power	600W/600VA	1000W/1000VA	2000W/2000VA	3000W/3000VA
AC distortion	<3% for linear load, <5% for non-linear load			
AC connection	Power outlet		Power outlet	
Maximum conversion efficiency	90%	90%	92%	93%
Overload capability	working properly when <110%; one minute when overload ≥110% ≥ 200% immediate shutdown			
Low battery shutdown	10.5V±0.5V	21V±1V	42.5V±1V	
Output short circuit protection	Immediate shutdown			
Output voltage buffer	Soft start			
Cooling ways	Intelligent cooling fan			
Protection class	IP20			
Communication	RS485			
Noise	≤45dB			
L.V.D.	EN 60950-1			
EMC	EN 55022			
Working temperature	-10°C -45°C			
Humidity	20% ~ 90% ( Non-condensing )			
Altitude	Less than 1000m without derating; More than 1000m, derating 1% per 100m more.			
Storage Temperature	-15°C ~ 70°C			
Machine size	200*157*77mm <sup>3</sup>	315*157*77mm <sup>3</sup>	435*250*85mm <sup>3</sup>	
Packing size	247*190*122mm <sup>3</sup>	357*190*122mm <sup>3</sup>	473*283*120mm <sup>3</sup>	
Netweight	2.5Kg	4.2Kg	6.0Kg	6.5Kg
Gross weight	2.8Kg	4.5Kg	6.5Kg	7.0Kg
Warranty(2 / 5 / 7 years)	Yes/Opt./Opt.	Yes/Opt./Opt.	Yes/Opt./Opt.	Yes/Opt./Opt.