



# USE ENERGY, STORE IT, OR FEED IT INTO THE GRID, IT IS NOW POSSIBLE WITH X-HYBRID.

Achieve your independence from traditional power providers considering the intelligent SolaX Hybrid Series with charger.

As we know, Solar panels generate the most energy during the day when the sun is shining and when you and your family tend to use the least energy or have the lowest consumption levels.

With ongoing increases in energy prices and the continual decrease of the feed-in tariff, you must make the most out of your solar energy. Our X-Hybrid 'Self-use Energy Storage System' is the perfect solution to solve this problem and to get the most out of your solar energy both today and into the future. Our Hybrid solution makes it possible to utilise solar power time-independently by storing unused capacity. It converts and directs solar power to where it is needed, when it is needed.



SK-TL3000/SK-TL3700/SK-TL5000 (E) WITH CHARGER

## Hybrid Ready Inverter

SK-TL3000 / SK-TL3700 / SK-TL5000 (E)

Prepare for energy independence by using this premium quality hybrid ready inverter. This unit gives you the opportunity to monitor property loads over time and evaluate your energy usage patterns.



SK-SU3000/SK-SU3700/SK-SU5000 (E)

## Self-Use Hybrid Inverter

SK-SU3000 / SK-SU3700 / SK-SU5000 (E)

The SU series of hybrid inverter includes 1 built-in battery manager unit and solar MPPT. This intelligent hybrid inverter provides a full solution for energy consumers to maximize the use of their generated solar energy and minimize their energy bills.

Emergency Power Supply  
Power your home during grid outage

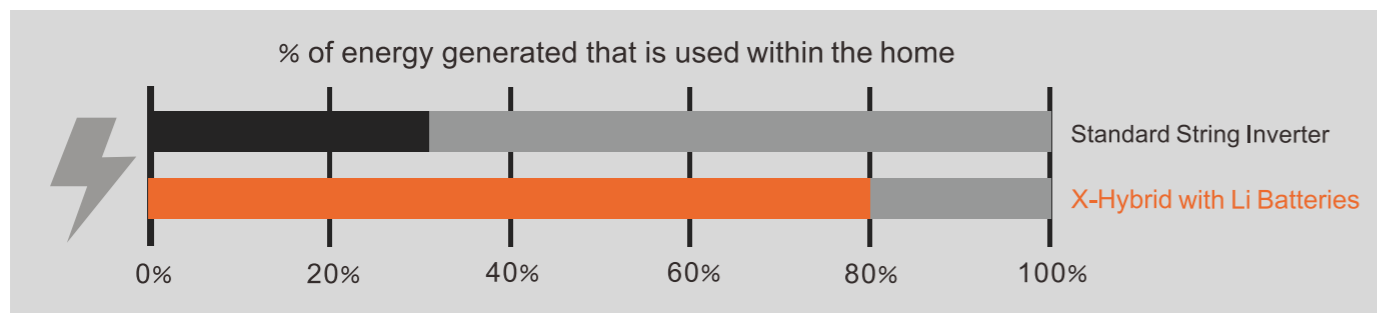
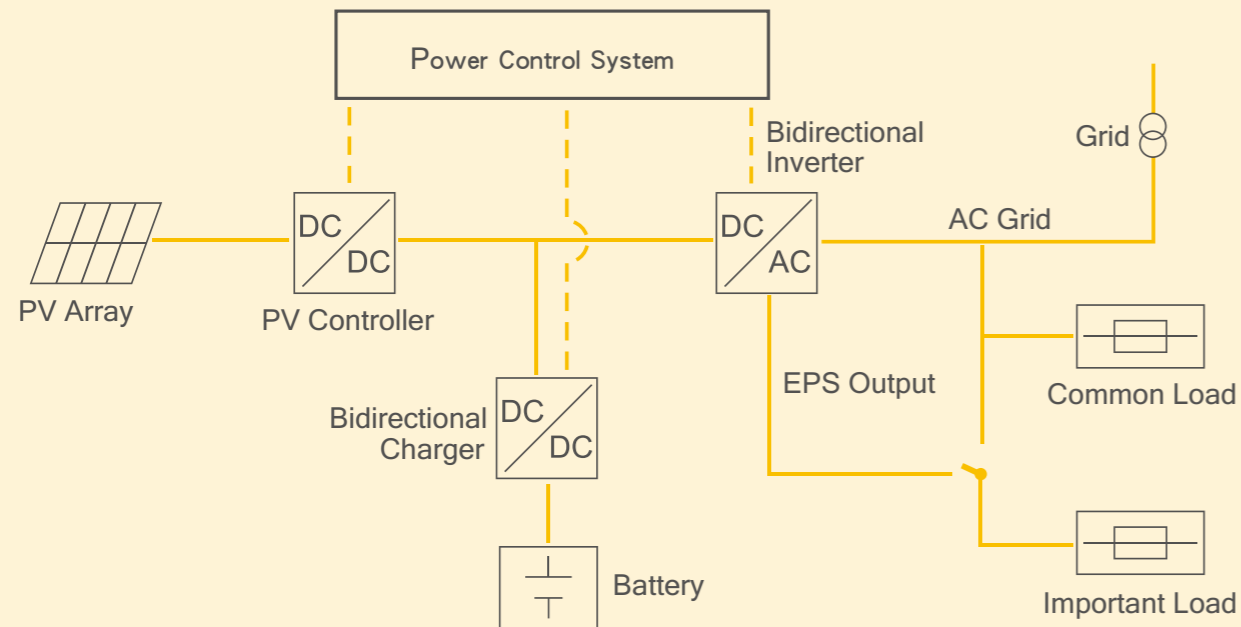


# HYBRID WORKING THEORY

X-Hybrid Self-use Energy Storage System converts DC electricity generated by solar panels to AC electricity for grid and load to DC for the battery.

The electricity will be provided for load first, and the excessive electricity will be stored in the battery,

after the battery is fully charged, the electricity will be fed into the grid. Once the power goes down, the inverter will activate the Emergency Power Supply (EPS) to ensure the energy from the panels and batteries can be used to power the home.



## X-HYBRID ADVANTAGES

### COMPARED TO TRADITIONAL GRID-TIED SOLAR SYSTEM

- Save money on your power bills by increasing the proportion of self-use electricity generated by your solar system from 30% to more than 80%.
- Save money by becoming independent from ever increasing energy prices.
- Reduce stress on the grid by reducing your solar power feed.
- Manage property consumption and generation remotely via built-in CT & WIFI monitoring solution.

### COMPARED TO OTHER BRANDS

- Reliable**
  - European and American and Japanese made key components.
- Efficient**
  - Highly effective solar power utilisation and long battery life by intelligent designed charging module.
- User-friendly**
  - Intelligent man-machine interaction mode.

## X-Hybrid Solar Inverter

Model	SK-TL3000C	SK-TL3700C	SK-TL5000C
<b>► Input (DC)</b>			
Max. recommended DC power [W]	3300	4000	5000
Max. DC voltage [V]	550		
Nominal DC operating voltage [V]	360		
MPPT voltage range [V]	125-530		
Max. input current [A]	12	12/12	12/12
Max. short circuit current [A]	15	15/15	15/15
Number of MPP trackers	1	2	2
Strings per MPP tracker	1	1	1
<b>► Output (AC)</b>			
AC nominal power [W]	3000	3680	4600
Nominal AC voltage; range [V]	230VAC 50/60HZ; 180~270VAC		
AC nominal current [A]	13	16	20
Max. AC current [A]	14.4	16	22.1
Total harmonic distortion (THD)	<3%		
Power factor (rated power)	1		
Displacement power factor	0.9leading...0.9lagging [0.95leading...0.95lagging(AUS only)]		
<b>► Efficiency</b>			
MPPT efficiency	99.9%	99.9%	99.9%
Euro-efficiency	97.0%	97.0%	97.0%
Max. efficiency	97.6%	97.6%	97.6%
Standby losses	<7W		
<b>► Display</b>			
LCD	Backlight 16*4 character		
Communication interfaces	Ethernet/Dry contact /WIFI		
LED light	4		
Button	4		
<b>► Others</b>			
DC switch	Optional		
Max. No. of supported external charger	1		
Operating temperature range [°C]	-10~+50 (derating at 40)		
Storage stability range [°C]	-20~+60		
Altitude [m]	<2000		
Cooling concept	Forced airflow		
Noise emission (typical) [dB]	<40		
Humidity [%]	0~95 (non-condensing)		
Protection class	IP20 (for indoor use)		
Overvoltage category	III (electric supply side), II (PV side)		
EMC standard	IEC61000-6-1/2/3/4		
Topology	Transformer-less		
Warranty	Standard 5 years		
Dimensions (W / H / D) [mm]	490 x 595 x 167		
Weight [kg]	23.5		
Certificate	Germany, Australia,Belgium, Netherlands, Denmark, Austria,UK,Italy		

## X-Hybrid Solar Inverter (Emergency Power Supply)

Model	SK-TL3000E	SK-TL3700E	SK-TL5000E
<b>► EPS only with external charger ( support 25A/50A/100A charger)</b>			
EPS rated power [VA]	1000/2000/3000	1000/2000/3680	1000/2000/4000
EPS rated voltage, Frequency	230VAC 50/60HZ		
EPS rated current [A]	4.5/9/13	4.5/9/16	4.5/9/17
EPS peak power [VA]	1.5xPrated, 10s	1.5xPrated, 10s	1.5xPrated, 10s
Total harmonic distortion (THD)	<3%		
Swtich time	<5s		