

ST25000TL/28000TL/30000TL



Features

- Transformerless with the three level Topology
- Dual MPPT inputs accommodating wide voltage range
- Compact structure design
- Max efficiency up to 98.3%
- PV input intelligent conjunction (optional)

Flexibility

- Indoors and outdoors usage (IP65)
- Easy installation and free maintenance
- RS485/WiFi(optional) communication
- Multi-lingual display with large LCD screen

Reliability

- Reliable protection for over/under voltage, anti-islanding, short circuit, overload, etc.
- 5-year quality warranty extends to 15 years(optional) exclusively
- Comply with NB/T 32004-2013, CQC etc.

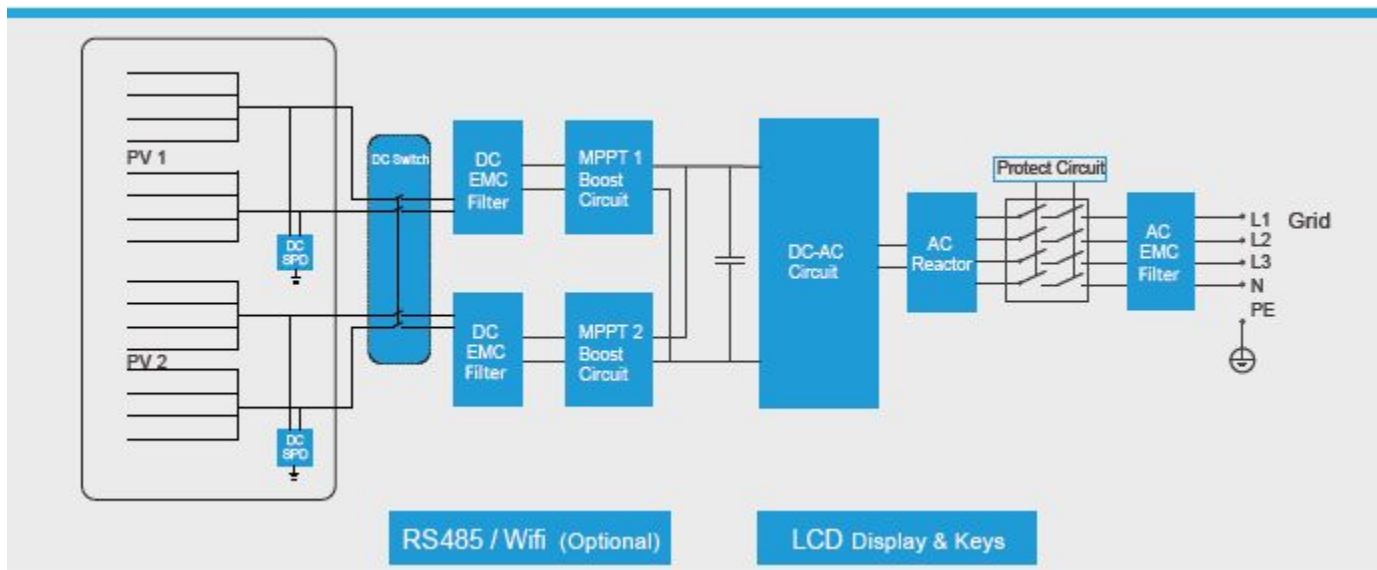


Solar Town™ Series

Solar Town (Brief in ST) Series provide string inverters with the three level topology, also, we can customize to provide more optional choices for PV power systems.

ST series has been proved to be outstanding for its features like leading edge efficiency, high cost-effective, modern appearance, friendly interface, and ultra-long quality warranty, etc.

DIAGRAM



Technical Data

Inverter Model	ST25000TL	ST28000TL	ST30000TL
Input (DC)			
Recommend Max DC power	26500W	30000W	32000W
Max DC voltage	1000V	1000V	1000V
Full load MPPT Voltage Range /Rated Voltage	450-800V/610V	470-800V/610V	500-800V/610V
Max input current input A/input B	32A/32A	32A/32A	32A/32A
Start up voltage /on-grid voltage	160V/200V	160V/200V	160V/200V
Number of MPP trackers /Strings per tracker	2/5	2/5	2/5
Output (AC)			
AC nominal power(@230V,50HZ)	25000W	28000W	30000W
Max nominal apparent power	27500VA	30800VA	33000VA
Nominal AC voltage	3/N/PE;220/380V	3/N/PE;220/380V	3/N/PE;220/380V
	3/N/PE;230/400V	3/N/PE;230/400V	3/N/PE;230/400V
	3/N/PE;240/415V	3/N/PE;240/415V	3/N/PE;240/415V
AC voltage range	176 ~ 270V	176 ~ 270V	176 ~ 270V
AC grid frequency	50HZ/60HZ	50HZ/60HZ	50HZ/60HZ
Max output current	42A	47A	50A
Power factor(adjustable)	1	1	1
Harmonics(THD)	0.8leading-0.8lagging	0.8leading-0.8lagging	0.8leading-0.8lagging
AC nominal power(@230V,50HZ)	< 3%	< 3%	< 3%
Efficiency			
Max efficiency	98.3%	98.3%	98.3%
Euro efficiency	98.0%	98.0%	98.0%
MPPT efficiency	99.9%	99.9%	99.9%
General data			
Dimensions (W / H / D)	580/800/200mm	580/800/200mm	580/800/200mm
Weight	60Kg	60Kg	60Kg
Operating temperature range	-25°C ~60°C	-25°C ~60°C	-25°C ~60°C
Degree of protection (according to IEC 60529)	IP65	IP65	IP65
Climatic category (according to IEC 60721-3-4)	4K4H	4K4H	4K4H
Internal consumption: (night)	< 1W	< 1W	< 1W
Cooling concept	Fan	Fan	Fan
PV connection	Common Connector/Intelligent Conjunction (Optional)		
Noise (typical)	< 50 dB	< 50 dB	< 50 dB
Communication(RS485/WiFi)	Yes/Opt.	Yes/Opt.	Yes/Opt.
Warranty(5 / 10 / 15 years)	Yes/Opt./Opt.	Yes/Opt./Opt.	Yes/Opt./Opt.