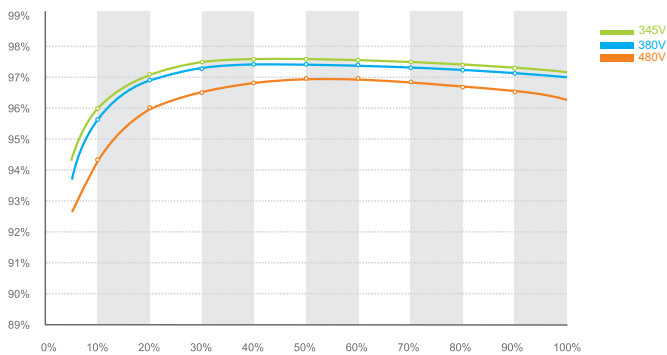


## Leading - edge Technology

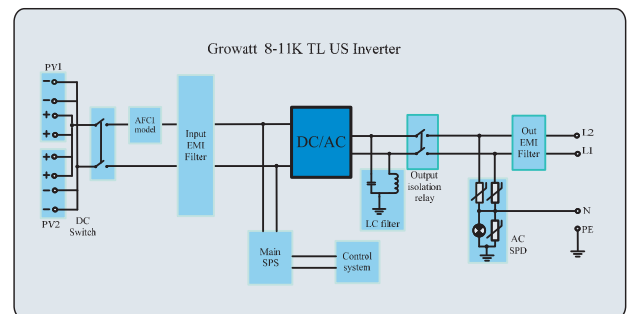
- ▶ High efficiency of 97.8% delivery more energy
- ▶ Integrated DC disconnect switch
- ▶ Consistent and stable performance across entire input voltage and output power range
- ▶ Intelligent temperature management
- ▶ Power balancer for three-phase grid connection
- ▶ Ethernet / RF technology / WiFi
- ▶ Sound control, easy installation maintenance procedure
- ▶ Newest generation IGBTs and advanced MPPT algorithms



Growatt 11000TL-US efficiency



Growatt 8-11K TL US topology



Datasheet	Growatt 8000TL-US	Growatt 9000TL-US	Growatt 10000TL-US	Growatt 11000TL-US
<b>Input Data</b>				
Max. DC power	8300W	9300W	10350W	11400W
Max. DC voltage	600V	600V	600V	600V
Start voltage	360V	360V	360V	360V
DC nominal voltage	345V@208VAC 379V@240VAC	345V@208VAC 379V@240VAC	345V@208VAC 379V@240VAC	379V
PV voltage range	300-600V@208VAC 345-600V@240VAC	300-600V@208VAC 345-600V@240VAC	300-600V@208VAC 345-600V@240VAC	345-600V
Number of independent MPP trackers/strings per MPP tracker	1 / 4	1 / 4	1 / 4	1 / 4
Max. input current / per string	30A / 16A	33A / 16A	36A / 16A	35A / 16A
<b>Output (AC)</b>				
Rated AC output power	8000W	9000W	10000W	11000W
AC nominal voltage; range	208V/240V; 183~229V@208V, 211~264V@240V	208V/240V; 183~229V@208V, 211~264V@240V	208V/240V; 183~229V@208V, 211~264V@240V	240V; 211~264V
AC grid frequency; range	60Hz;59.3-60.5Hz	60Hz;59.3-60.5Hz	60Hz;59.3-60.5Hz	60Hz;59.3-60.5Hz
Max. output current	44A@208VAC 38A@240VAC	48A@208VAC 43A@240VAC	49A@208VAC 48A@240VAC	48A
Power factor	1	1	1	1
THDI	<3%	<3%	<3%	<3%
AC connection	Single Phase	Single Phase	Single Phase	Single Phase
<b>Efficiency</b>				
Max. efficiency	97.8%	97.8%	97.8%	97.8%
CEC. efficiency	97%	97%	97%	97%
MPPT efficiency	99.5%	99.5%	99.5%	99.5%
<b>Protection Devices</b>				
DC reverse-polarity protection	yes	yes	yes	yes
Input over voltage protection -Varistor	opt	opt	opt	opt
DC insulation measure	yes	yes	yes	yes
AC short circuit protection	yes	yes	yes	yes
Output over voltage protection -Varistor	yes	yes	yes	yes
AFCI compliant to UL 1699B	yes	yes	yes	yes
<b>General Data</b>				
Dimensions (W / H / D) in inch	15.7/29.2/8.7	15.7/29.2/8.7	15.7/29.2/8.7	15.7/29.2/8.7
Weight	40kg/88.2lb	40kg/88.2lb	40kg/88.2lb	40kg/88.2lb
Operating temperature range	-25..+60°C/(-13...+ 140°F)	-25..+60°C/(-13...+ 140°F)	-25..+60°C/(-13...+ 140°F)	-25..+60°C/(-13...+ 140°F)
Noise emission	< 46 dB	< 46 dB	< 46 dB	< 46 dB
Self-Consumption (night)	< 0.5 W	< 0.5 W	< 0.5 W	< 0.5 W
Topology	Transformerless	Transformerless	Transformerless	Transformerless
Cooling concept	Fan cooling	Fan cooling	Fan cooling	Fan cooling
Electronics protection rating /connection area	NEMA 3R	NEMA 3R	NEMA 3R	NEMA 3R
Altitude	2000m without derating	2000m without derating	2000m without derating	2000m without derating
Relative Humidity	100%	100%	100%	100%
<b>Features</b>				
Display	LCD	LCD	LCD	LCD
Interfaces: RS232/RS485/ Ethernet/RF/WiFi	yes / yes / opt / opt / opt	yes / yes / opt / opt / opt	yes / yes / opt / opt / opt	yes / yes / opt / opt / opt
Warranty: 5 years / 10 years	yes / opt	yes / opt	yes / opt	yes / opt
<b>Certificates and Approvals</b>				