

# SSP3118C Series

## Wall Mounted Integrated Solar Power Inverter System

1-5KVA



### ► Product snapshot:

Model : 1-5KVA

Nominal Voltage : 220/230VAC

Nominal Frequency : 50/60HZ

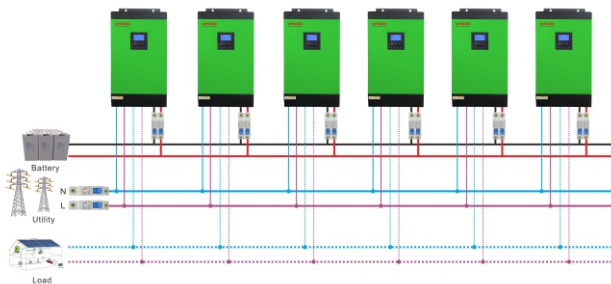
Output Power Factor: 0.8



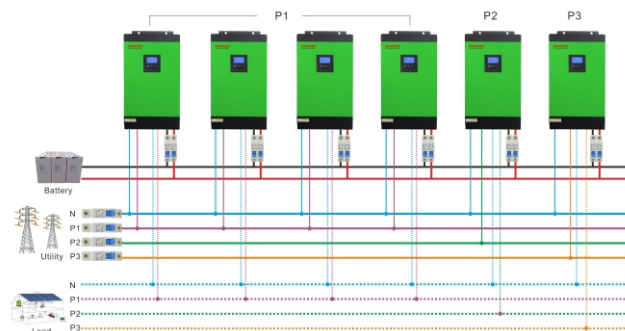
### Key Features:

- Pure sine wave inverter
- Cold start function
- Auto restart while AC is recovering
- Overload and short circuit protection
- Optional remote panel available
- Selectable charging current based on applications
- Configurable AC/Solar input priority via LCD setting
- Compatible to mains voltage or generator power
- Smart battery charger design for optimized battery performance
- Parallel operation with up to 6 units only available for 4KVA/5KVA
- Selectable input voltage range for home appliances and personal computers

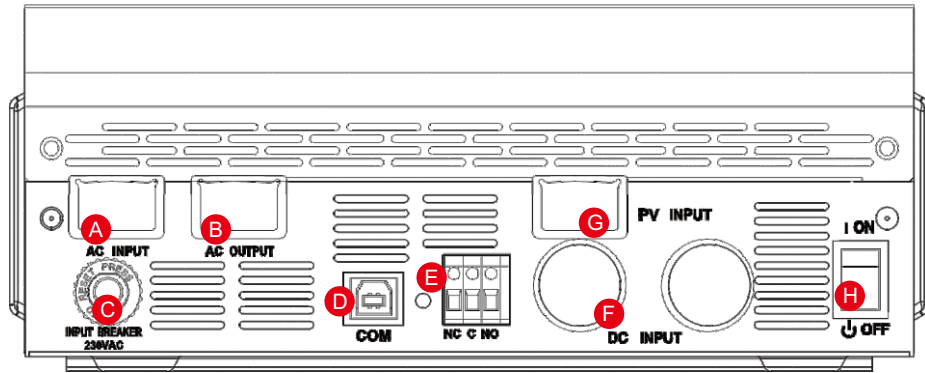
### ■ Single phase output up to 24kw using 6 units



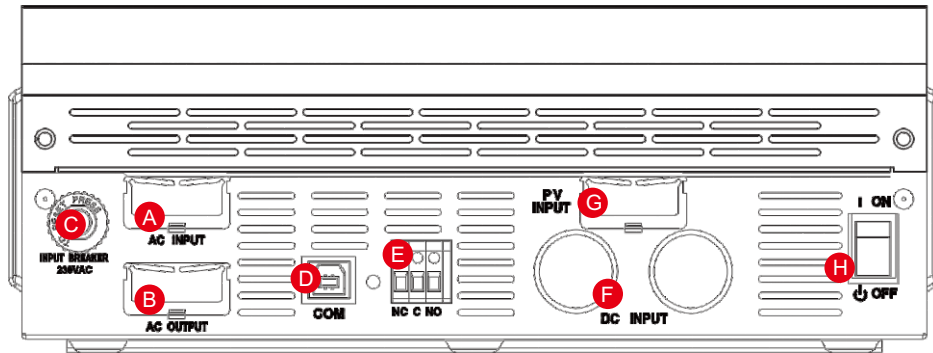
### ■ Three phase output using either 3 units (12kw) or max 6 units (24kw)



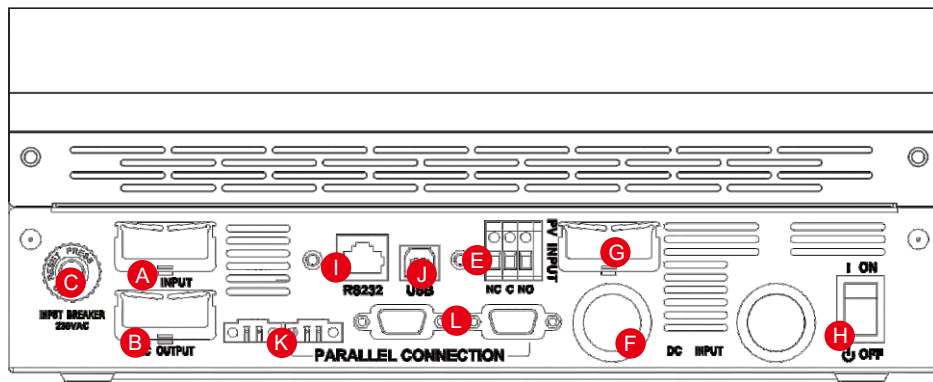
## Function Description:



SSP3118C 1KVA



SSP3118C 2-3KVA



SSP3118C 4-5KVA

- |                                 |                              |  |
|---------------------------------|------------------------------|--|
| <b>A</b> AC input               | <b>E</b> Dry contact         | <b>I</b> Rs232 communication port                                  |
| <b>B</b> AC output              | <b>F</b> AC Output           | <b>J</b> USB communication port                                    |
| <b>C</b> Circuit breaker        | <b>G</b> PV input            | <b>K</b> Current sharing cable<br>(only for parallel model)        |
| <b>D</b> USB communication port | <b>H</b> Power on/off switch | <b>L</b> Parallel communication cable<br>(only for parallel model) |

# SSP3118C3

## Wall Mounted Integrated Solar Power Inverter technical specification

### Built-in MPPT Solar controller

MODEL	C3 1.5K-2440	C3 3K-2440
Rated Power	1500VA/1200W	3000VA/2400W
<b>INPUT</b>		
Voltage	230 VAC	
Selectable Voltage Range	170-280 VAC (For Personal Computers) 90-280 VAC (For Home Appliances)	
Frequency Range	50 Hz/60 Hz (Auto sensing)	
<b>OUTPUT</b>		
AC Voltage Regulation (Batt. Mode)	230VAC $\pm$ 5%	
Surge Power	3000VA	6000VA
Efficiency (Peak)	90% ~ 93%	
Transfer Time	10 ms (For Personal Computers) 20 ms (For Home Appliances)	
Waveform	Pure sine wave	
<b>BATTERY</b>		
Battery Voltage	24 VDC	
Floating Charge Voltage	27 VDC	
Overcharge Protection	32 VDC	
<b>SOLAR CHARGER &amp; AC CHARGER</b>		
Maximum PV Array Power	1000W	
MPPT Range @ Operating Voltage	30 VDC ~ 80 VDC	
Maximum PV Array Open Circuit Voltage	100VDC	
Maximum Solar Charge Current	40A	
Maximum AC Charge Current	60A	
Maximum Charge Current	100A	
Maximum Efficiency	98%	
<b>PHYSICAL</b>		
Dimension, D x W x H (mm)	100 x 272 x 355	
Net Weight (kgs)	7	
<b>OPERATING ENVIRONMENT</b>		
Humidity	5% to 95% Relative Humidity(Non-condensing)	
Operating Temperature	-20°C to 55°C	
Storage Temperature	-15°C to 60°C	

Note: Product specifications are subject to change without further notice.

STANDARD: safety: IEC60950-1-1/IEC62040-1-1/ AS 62040-1-1, EMC; IEC62040-2 / AS62040-2/EN50091-2 CLASS, Design and test: IEC62040-3 / AS 62040-3