



Solis-RSD1L-1G
Solis-RSD2L-1G

Ginlong Solis Rapid Shutdown Device

Leading Features

- Certified to UL1741 Standard and compliant with 2014 NEC 690.12 Rapid Shutdown
- Available in either single channel output or dual channel output allowing for perfect alignment with the number of MPPT channels in the inverter system
- No interference with AFCI functionality of Solis inverters
- NEMA 4X Enclosure, conformal-coated internal components and a wide operating temperature range
- Low profile design allows for easy positioning under the PV module
- Pre-wired MC4 connectors for positive, watertight connections
- Engineered for the US Solis transformer-less Inverter line and compatible with any PV Module -string inverter combination where the maximum system operating voltage is $\leq 550\text{VDC}$.

Compatible with following Solis Inverters:

2.5kW to 5kW
6kW to 10kW



Contact us today.
t: 866.438.8408
e: ussales@ginlong.com
w: www.ginlong.com

Manufacturer:
Ginlong Technologies
Ltd., Ningbo, Zhejiang
P.R. China

US Headquarters:
565 Metro Place South
/ Suite 3214, Dublin, OH
43017 USA



Technical Specifications

DC

- Maximum Input and Output Voltage
- DC Input Voltage Range
- Maximum Number of PV Source Circuits
- Maximum Input / Output Current
- Maximum Short Circuit Current
- DC Input / Output Cable Whips
- DC Input / Output Wire Size
- Ground Wire Size

AC

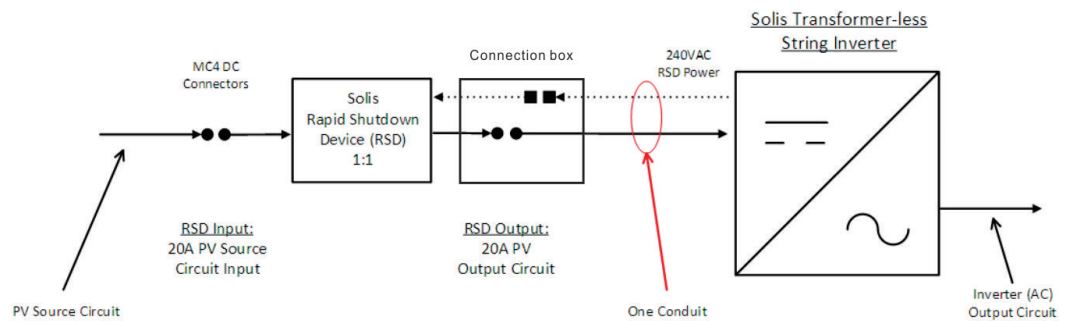
- Rated AC Input Voltage
- Rated AC Input Current
- Rated Frequency
- AC Control Wire Size
- Maximum AC Fuse Rating

GENERAL

- Ambient Temperature Range
- Enclosure Type
- Roof Mount Style
- Status Indicator
- Efficiency
- Response Time
- Dimensions (W x H x D)
- Weight
- Warranty
- Certification & Safety Standard Compliance

Solis-RSD1L-1G	Solis-RSD2L-1G
600VDC	600VDC
30-600VDC	30-600VDC
1 or 2 input / 1 output	2 or 3input / 2 output
20A	2 in dependent channels, 20A/10A
31.2A	31.2A
PV Wire with MC4 Locking Connectors	PV Wire with MC4 Locking Connectors
AWG #12 to #6	AWG #12 to #6
AWG #10 to #6	AWG #10 to #6
208/240VAC	208/240VAC
0.1A	0.1A
50/60Hz	50/60Hz
AWG #18 to #10	AWG #18 to #10
2A	2A
-25 to +65°C [-13 to 158°F]	-25 to +65°C [-13 to 158°F]
NEMA 4X	NEMA 4X
Rail-mount plate (WEEB Compatible)	Rail-mount plate (WEEB Compatible)
LED	LED
>99.5%	>99.5%
<2 seconds	<2 seconds
262 x 240 x 60 cm / 10.3 x 9.4 x 2.36 in.	262 x 240 x 60 cm / 10.3 x 9.4 x 2.36 in.
2.2 kg / 4.9 lb	2.3 kg / 5.1 lb
10 Year	10 Year
UL1741, FCC Part 15 Class B, NEC 690.12	UL1741, FCC Part 15 Class B, NEC 690.12

1 or 2 Input-1 Output



2 or 3 Input-2 Output

