

# Grid-Connected PV Inverter

EA3KTLSI / EA4KTLSI / EA5KTLSI



## Features

### High Efficiency, High Benefits

- Maximum conversion efficiency up to 97.5%
- Advanced MPPT technology with MPPT efficiency up to 99.9%
- Wide input voltage range (90 Vdc ~ 600 Vdc), flexible configuration for solar panels

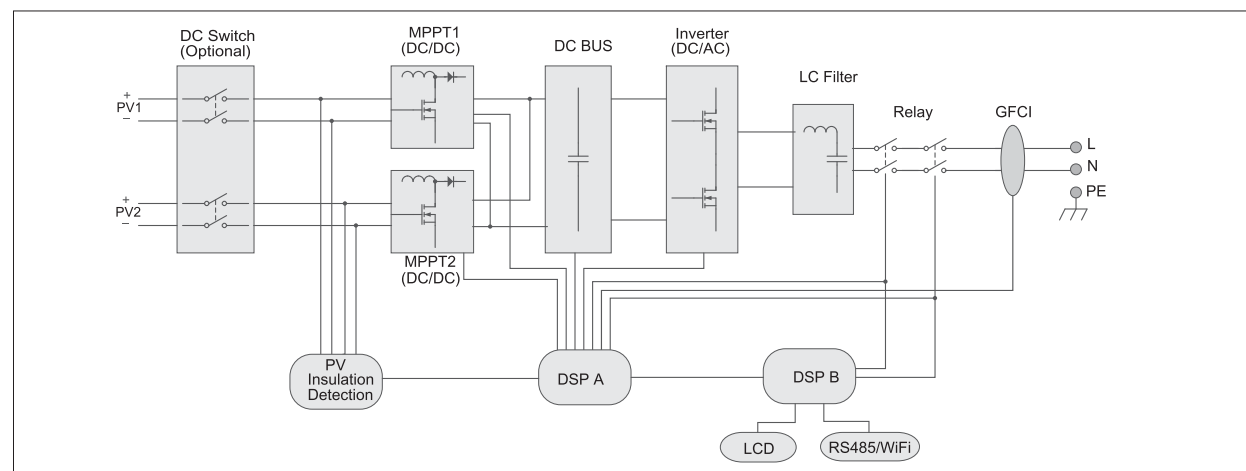
### Robust and Reliable; Lasting Benefits

- Intelligent failure detection, alarm and protections
- Natural cooling; 25 years lifetime
- Wide operating temperature range -25°C ~ +60°C, continuous power generation at full load in high temperature environment
- TUV / CE / CQC / Inmetro certified

### Easy Installation, Flexible Operation

- Small footprint
- Waterproof and dustproof (IP65) design
- No fan, low noise (noise level < 30 dB), suit for indoor installation
- Pluggable waterproof connector, easy installation and maintenance
- Knock activated LCD; RS485 / Wi-Fi / GPRS communications

## Block diagram



## Technical Data

MODEL	EA3KTLSI	EA4KTLSI	EA5KTLSI
<b>INPUT (DC)</b>			
Max. DC input power	3300 W	4400 W	5500 W
Max. DC input voltage	600 V		
Starting voltage	110 V		
Rated voltage	360 V		
MPP voltage range	90 V ~ 560 V		
Full-load MPP voltage range	300 V ~ 480 V	200 V ~ 480 V	240 V ~ 480 V
Max. input current	11 A	2 × 11 A	2 × 11 A
Number of independent MPP inputs	1	2	2
Max. number of PV strings	1		
DC switch	Optional		
<b>OUTPUT (AC)</b>			
Rated AC output power	3000 W	4000 W	5000 W
Max. AC output current	13.6 A	18.2 A	22.7 A
Rated output voltage range	220 V / 230 V / 240 V; 180 V ~ 270 V		
Rated grid frequency range	50 / 50 ± 5 Hz, 60 / 60 ± 5 Hz		
Power factor	> 0.99		
THD (rated output)	< 3%		
<b>EFFICIENCY</b>			
Max. efficiency	97.4%	97.5%	97.5%
Europe efficiency	97 %	97.1%	97.1%
MPPT efficiency	99.9%		
<b>PROTECTIONS</b>			
DC input reverse polarity protection	Yes		
Input DC impedance monitoring	Yes		
Leakage protection	Yes		
AC short-circuit protection	Yes		
Mains power monitoring	Yes		
Output DC component detection	Yes		
<b>GENERAL DATA</b>			
Self-consumption (at night)	< 1 W		
Isolation type	Transformerless		
Display	2 × LED & LCD		
Communications	RS485, Wi-Fi / GPRS (optional)		
Cooling	Natural cooling		
Noise	< 30 dB		
Operating temperature	- 25 °C ~ +60 °C		
Relative humidity	0 ~ 95% non-condensing		
Altitude	4000 m (> 2000 m derating)		
IP rating	IP 65		
Installation environment	Outdoor or indoor		
Installation method	Wall mounting		
Dimensions (W × D × H) (mm)	365 × 167 × 440		
Packaged dimensions (W × D × H) (mm)	435 × 255 × 570		
Net weight (kg)	12.4	13.4	13.4
Gross weight (kg)	15.4	16.4	16.4

Disclaimer:  
 • These data in this document are tested under specified conditions. It may result in difference between actual results and these data due to some uncertain factors. The statement about this product is for reference only. It makes no representation or warranty.  
 • All specifications subject to change without notice.