

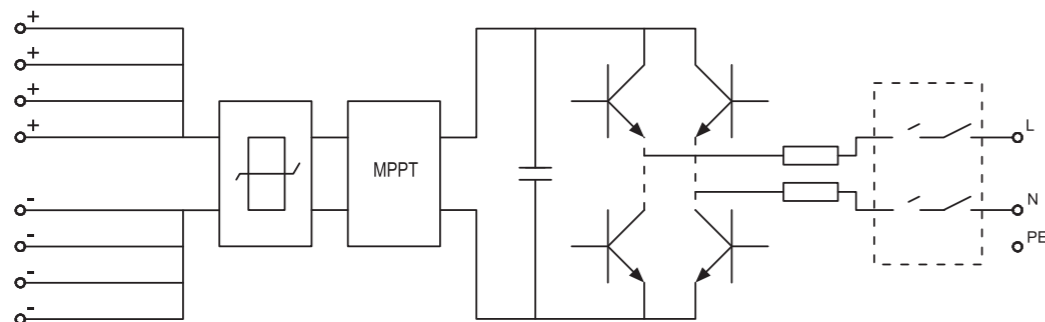


Conforme CEI 0-21
Compliant with CEI 0-21

Caratteristiche di prodotto
Product features

Numero max. stringhe in ingresso Max. number of input strings	2	Umidità relativa Relative humidity	95% max.
Distorsione totale della corrente di rete Total grid current distortion	≤3%	Consumo in stop Losses when stopped	<10 W
Grado di protezione Degree of protection	IP65	Consumo notturno Night losses	<0.25 W
Range temperatura (senza declassamento) Temperature Range (no derating)	- 25°C ÷ +45°C	Cos φ	1 (0.9 lead/lagging)

Schema a blocchi M XS 4600/5000/6000/7500 TL
Block diagram M XS 4600/5000/6000/7500 TL



Caratteristiche tecniche
Technical features

	M XS 4600 TL	M XS 5000 TL	M XS 6000 TL	M XS 7500 TL
Valori d'Ingresso @ 40°C Input Ratings @ 40°C				
Potenza picco suggerita campo FV Suggested PV field peak power	5500 Wp	6000 Wp	7200 Wp	9000 Wp
MPPT Range tensione MPPT Voltage range	330÷740 Vdc	330÷740 Vdc	330÷740 Vdc	330÷740 Vdc
Max. Tensione CC Max. DC voltage	855 Vdc	855 Vdc	855 Vdc	855 Vdc
Potenza nominale d'ingresso in CC Rated DC input power	4900 W	5236 W	6295 W	7990 W
Corrente massima d'ingresso Max. input current	15 A(dc)	17 A(dc)	20 A(dc)	25 A(dc)
Numero max. ingressi stringa Max. number of input strings	2	2	2	2
Numero inseguitori MPP indipendenti N. of Independent MPP Trackers	1	1	1	1

Valori d'uscita @ 40°C Output Ratings @ 40°C				
Potenza nominale d'uscita Rated AC power	4600 W	5060 W	5980 W	7590 W
Tensione Grid voltage	230 Vac +/- 15%	230 Vac +/- 15%	230 Vac +/- 15%	230 Vac +/- 15%
Frequenza di rete Grid frequency	50 Hz (60 Hz on demand)	50 Hz (60 Hz on demand)	50 Hz (60 Hz on demand)	50 Hz (60 Hz on demand)
Corrente nominale d'uscita Rated output current	20.0 A(ac)	22.0 A(ac)	26.0 A(ac)	33.0 A(ac)

Rendimenti Efficiency				
Rendimento Massimo Maximum efficiency	96.3%	96.9	97.0%	97.1%
Rendimento Europeo European efficiency	95.8%	96.0%	96.1%	96.3%

Dati meccanici Mechanical Features				
Dimensioni (LxAxP) Dimensions (LxHxD)	412x720x255 mm	412x720x255 mm	412x720x255 mm	412x720x255 mm
Peso Weight	25 kg	25 kg	25 kg	25 kg
Sistema di raffreddamento Cooling system	Ventilazione forzata Forced ventilation	Ventilazione forzata Forced ventilation	Ventilazione forzata Forced ventilation	Ventilazione forzata Forced ventilation