

# Smart String Inverter

SUN2000-43KTL-IN-C1



## Smart

- 8 strings intelligent monitoring and fast trouble-shooting
- Power Line Carrier Communication (PLCC) supported
- Smart I-V Curve Diagnosis supported

## Efficient

- Max. efficiency 98.8%, European efficiency 98.6%
- 4 MPPTs for versatile adaptations to different layouts

## Safe

- DC disconnect integrated, safe and convenient for maintenance
- Type II surge arresters for both DC and AC
- Residual Current Monitoring Unit (RCMU) integrated inside
- Fuse free design

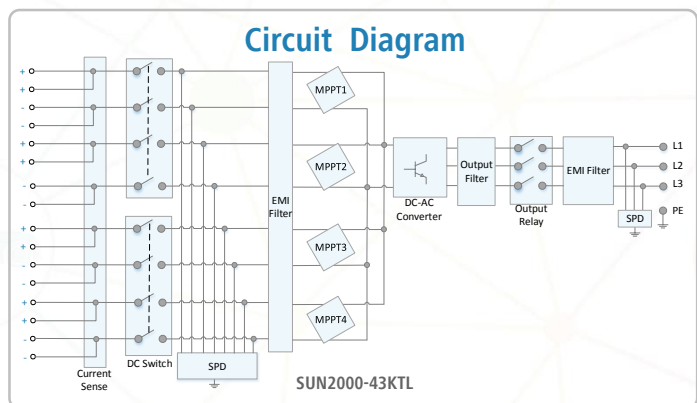
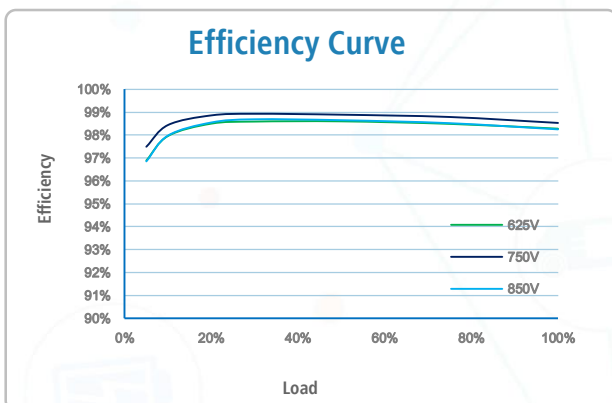
## Reliable

- Natural cooling technology
- Protection rating of IP65

# Smart String Inverter (SUN2000-43KTL-IN-C1)



| Technical Specifications                | SUN2000-43KTL-IN-C1                            |
|---|--|
|   | <b>Efficiency</b>                              |
| Max. Efficiency                         | 98.9%  |
| European Efficiency                     | 98.6%  |
|   | <b>Input</b>                                   |
| Max. Input Voltage                      | 1,100 V  |
| Max. Current per MPPT                   | 22 A   |
| Max. Short Circuit Current per MPPT     | 30 A   |
| Start Voltage                           | 250 V  |
| MPPT Operating Voltage Range            | 200 V ~ 1,000 V                                |
| Rated Input Voltage                     | 750 V  |
| Max. Number of Inputs                   | 8  |
| Number of MPP Trackers                  | 4  |
|   | <b>Output</b>                                  |
| Rated AC Active Power                   | 43,000 W                                       |
| Max.AC Apparent Power                   | 52,500 VA                                      |
| Max.AC Active Power(cosφ=1)             | 52,500 W                                       |
| Rated Output Voltage                    | 288 V / 500 V, 3W+PE                           |
| Rated Output Current                    | 49.7 A   |
| Rated AC Grid Frequency                 | 50 Hz  |
| Max. Output Current                     | 60.7 A   |
| Adjustable Power Factor                 | 0.8 LG ... 0.8 LD                              |
| Max. Total Harmonic Distortion          | < 3%   |
|   | <b>Protection</b>                              |
| Input-side Disconnection Device         | Yes  |
| Anti-Islanding Protection               | Yes  |
| DC Reverse-Polarity Protection          | Yes  |
| PV-array String Fault Monitoring        | Yes  |
| DC Surge Arrester                       | Type II  |
| AC Surge Arrester                       | Type II  |
| Insulation Monitoring                   | Yes  |
| Residual Current Monitoring Unit        | Yes  |
|   | <b>Communication</b>                           |
| Display                                 | LED Indicators, Bluetooth + APP                |
| RS485                                   | Yes  |
| USB                                     | Yes  |
| Power Line Carrier Communication (PLCC) | Yes  |
|   | <b>General</b>                                 |
| Dimensions( W x H x D )                 | 930 x 550 x 283 mm (36.6 x 21.7 x 11.1 inches) |
| Weight (with mounting plate)            | 62 kg (136.7 lb.)                              |
| Operation Temperature Range             | -25 °C ~ 60 °C (-13 °F ~ 140 °F)               |
| Cooling                                 | Natural Convection                             |
| Max. Operating Altitude                 | 4,000 m (13,123 ft.)                           |
| Relative Humidity                       | 0 ~ 100%                                       |
| DC Connector                            | Amphenol Helios H4                             |
| AC Connector                            | Waterproof PG Terminal + OT Connector          |
| Protection Rating                       | IP65   |
| Topology                                | Transformerless                                |
|   | <b>Standards Compliance</b>                    |
| Safety                                  | EN/IEC 62109-1, EN/IEC 62109-2                 |
| Grid Code                               | IEC 61727, IEC 62116, IEC 62910                |



The text and figures reflect the current technical state at the time of printing. Subject to technical changes. Errors and omissions excepted. Huawei assumes no liability for mistakes or printing errors. For more information, please visit solar.huawei.com. Version No.:01-(2017 0830)