



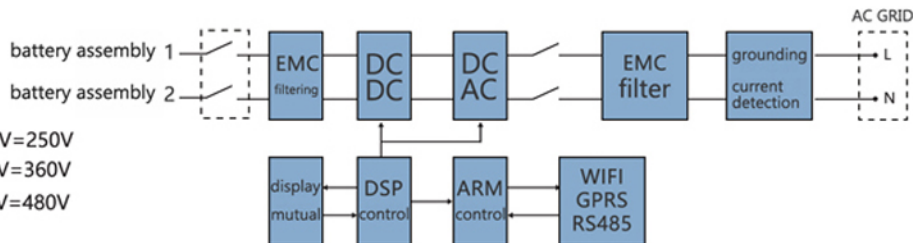
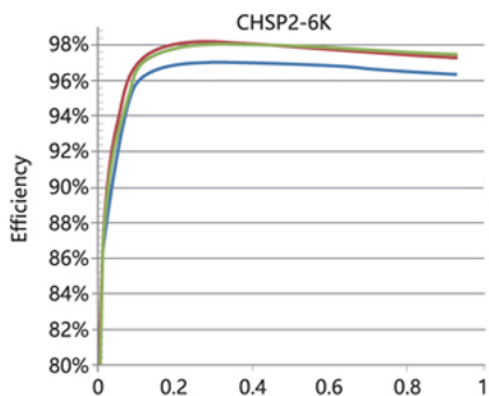
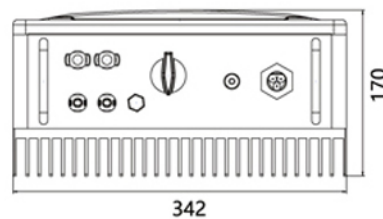
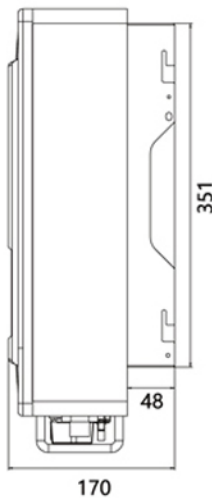
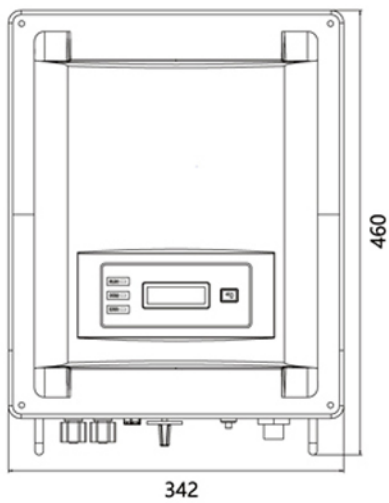
正汇电子
CHINHV Electronics



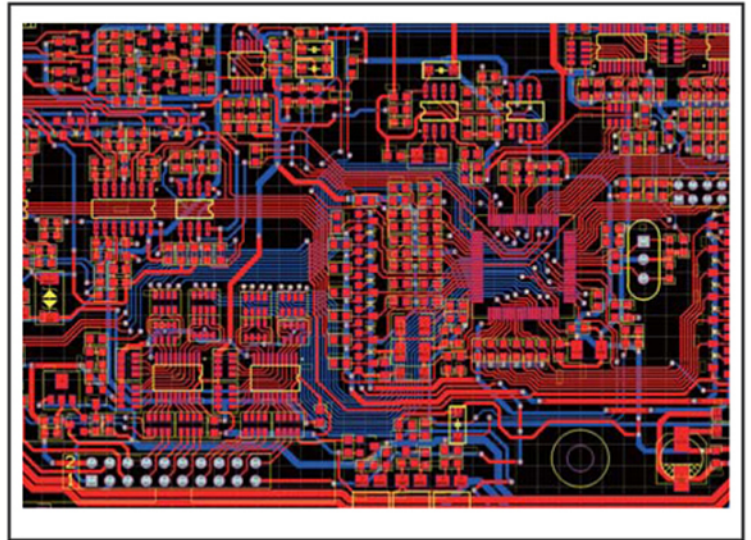
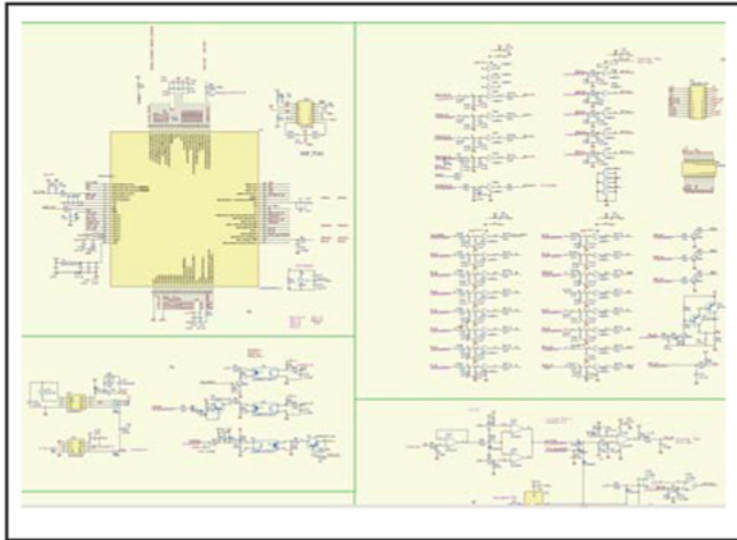
CHSP_{1/2}
CHINHV PV Inverter



Elegant appearance



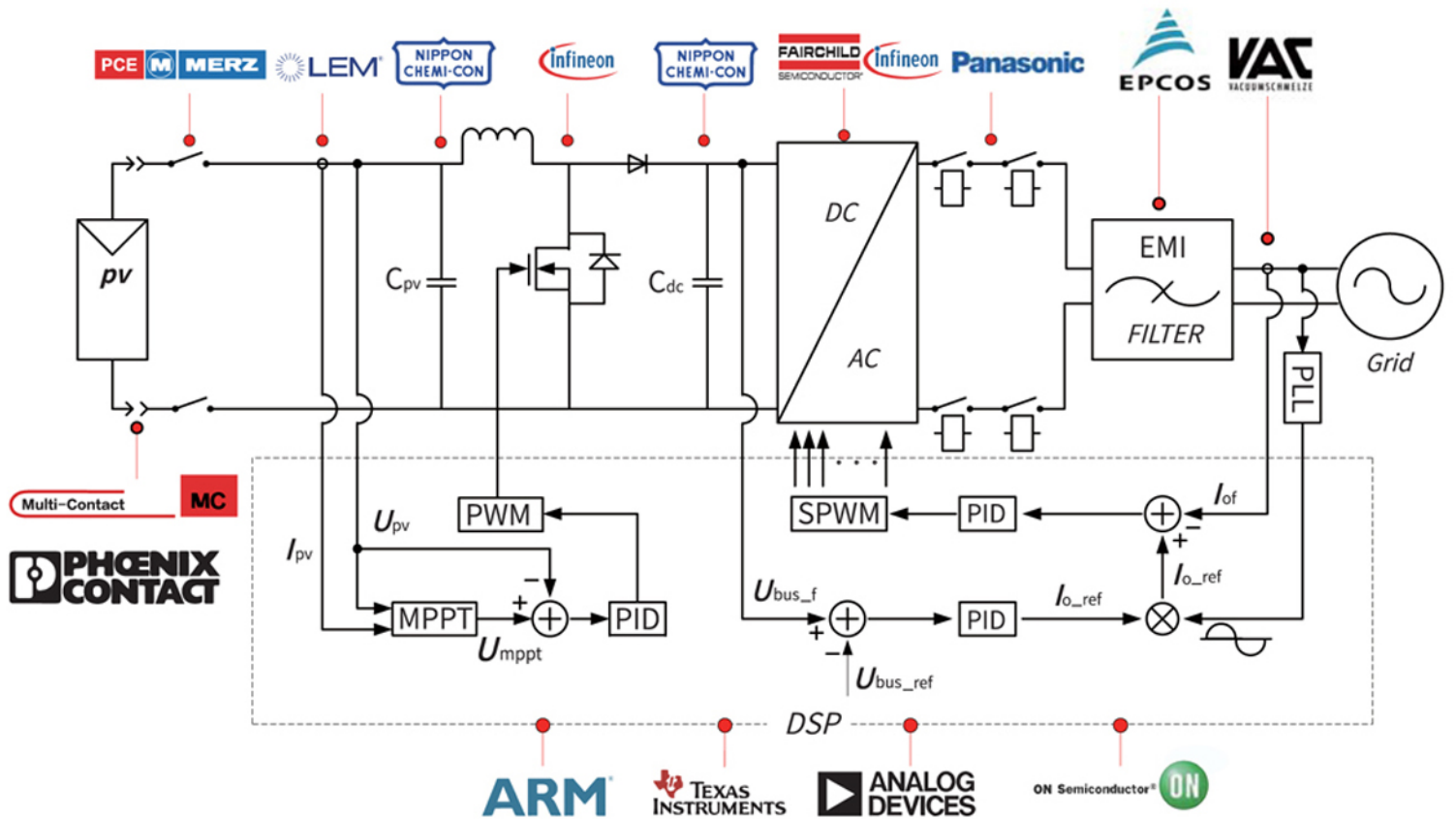
Refinement inside



Meticulously design

Circumspective arrangement

World famous component



Technical parameters

Parameters	CHSP1 3K	CHSP1 3.6K	CHSP1 4.2K	CHSP1 5K	CHSP2 3K	CHSP2 3.6K	CHSP2 4.2K	CHSP2 5K	CHSP2 6K	CHSP2 8K
DC input										
Max dc input power	3150W	3800W	4650W	5500W	3150W	3800W	4650W	5500W	6300W	8600W
Max input voltage	600V	600V	600V	600V	600V	600V	600V	600V	600V	600V
MPPT input voltage range	80-550V	80-550V	80-550V	80-550V	80-550V	80-550V	80-550V	80-550V	80-550V	80-550V
Start up voltage	120V	120V	120V	120V	120V	120V	120V	120V	120V	120V
Max input current /MPPT	11A	11A	11A	11A	11A	11A	11A	11A	13A	15A
MPPT amount	1	1	1	1	2	2	2	2	2	2
Input group string /MPPT	1	1	2	2	1	1	1	1	1	1
AC output										
Rated active power	3000W	3600W	4200W	5000W	3000W	3600W	4200W	5000W	6000W	8000W
Max apparent power	3000VA	3600VA	4200VA	5000VA	3000VA	3600VA	4200VA	5000VA	6000VA	8000VA
Rated grid voltage /range	220V 180V-270V				220V 180V-270V					
Ac grid frequency range	50/60 ±5Hz				50/60 ±5Hz					
Max output current	15A	18A	20A	23A	15A	18A	20A	23A	28A	38A
Power factor range	0.8 lead~0.8 delay				0.8 lead~0.8 delay					
Max THD	<3%				<3%					
Efficiency										
Max efficiency	98.1%	98.1%	98.1%	98.1%	98.1%	98.1%	98.1%	98.1%	98.1%	98.1%
EU efficiency	>95.7%	>95.7%	>95.7%	>95.7%	>95.7%	>95.7%	>95.7%	>95.7%	>95.7%	>95.7%
MPPT efficiency	99.9%	99.9%	99.9%	99.9%	99.9%	99.9%	99.9%	99.9%	99.9%	99.9%
Protection & safety										
Island protection	●	●	●	●	●	●	●	●	●	●
DC reverse connection / AC short protection	●	●	●	●	●	●	●	●	●	●
Leakage protection	●	●	●	●	●	●	●	●	●	●
Overvoltage protection	●	●	●	●	●	●	●	●	●	●
DC switch	○	○	○	○	○	○	○	○	○	○
DC fuse	○	○	○	○	○	○	○	○	○	○
Normal parameter										
Communication interface RS485/GPRS/WIFI	○	○	○	○	○	○	○	○	○	○
Installation mode	Hanging				Hanging					
Net weight	~12kgs				~13kgs					~19.5kgs
Cooling mode	Natural convection				Natural convection					
DC terminal	Phoenix/ Amphenol/MC4				Phoenix/ Amphenol/MC4					
AC terminal	Phoenix / Exceedconn/Wieland				Phoenix / Exceedconn/Wieland					
Protection level (Ref IEC60529)	IP65				IP65					
Relative humidity	0-95% no condensation				0-95% no condensation					
Max altitude	4000m (>3000m load reduction)				4000m (>3000m load reduction)					
Size										
L x W x H (mm)	460×342×170				460×342×170					

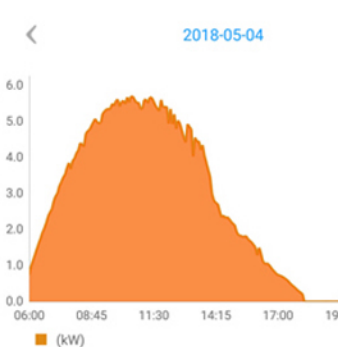
- Standard
- Optional

Technical parameter in constant correction

We Power You Everyday!



CCTV is giving an interview to CHINHV



025-6215-0736

13851720101

www.chinhv.com

13851720101

www.chinhv.com



CHINHV Electronics

No.9 West Tianxing Road

Dongshan Str Jiangning

Nanjing Jiangsu

China

Cel.+0086-0139-14701606

Fax.+0086-25-52150275

E-mail.chinhv_solar@163.com

Internet: www.chinhv.com

A letter to all solar men

As a new comer of solar products,we believe in that we should try our best to protect our earth and constant reduce carbon emission for our future.

In the past 100 years we made huge progress in industry while also caused serious environment problems.

Solar technology provide us a good choice to solve the energy supply.

Through we still face many difficulty when make use of solar radiation we keep changing our idea and never Stop innovating.

As a professional electronics manufacturer, we try our best to provide best products and service to all our partners.

In CHINHV's past 10 years,we developed CH80 series smart power meters,active filter, VR gamer, electrical fire monitor system, middle and small industrial control system. In 2016, we made up our mind to develop solar inverter and want to be Chinese best one. We analysed almost all inverter manufacturer's products in China and compared with SMA's , our development becomes more and more clear.

World famous components be wildly used in CHINHV inverter, we believe in 'Best design,Best components,Best service make the Best products'.

Now we are looking for cooperation all over the world who interested in the green products. We will be glad to hear from you.



CHINHV Electronics

Dr Hu

General manager & general engineer of CHINHV

Mr Tommy

Export manager of CHINHV

June 12,2018