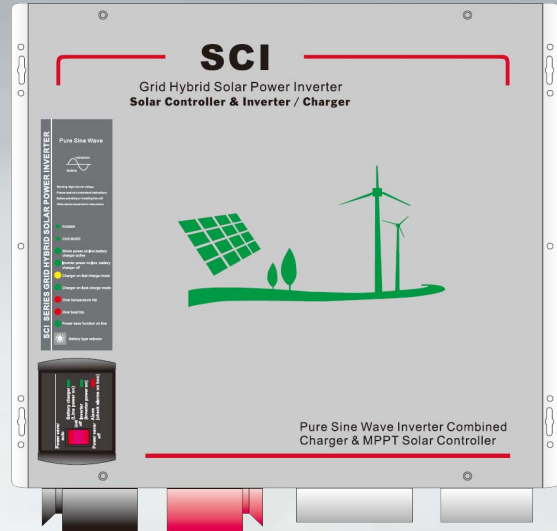


OFF-GRID HYBRID INVERTER SCI Series

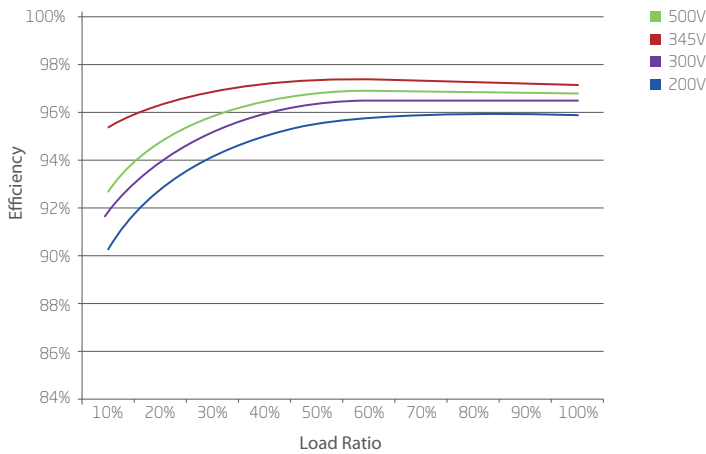


Features:

- ◆ MPPT Controller Inside
- ◆ Pure Sine Wave
- ◆ RS232 / RJ11
- ◆ With transformer

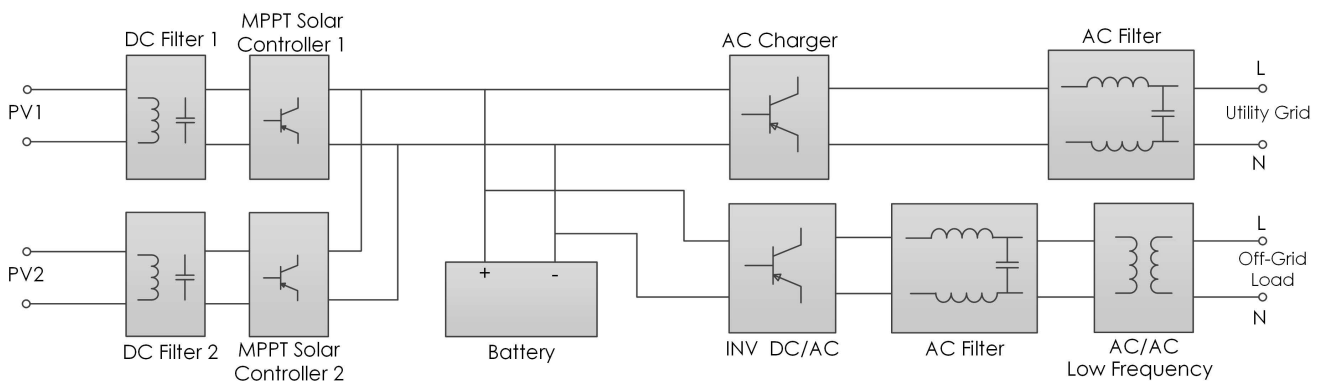


Efficiency Chart



www.lantrun.com

Electrical Diagram



SPECIFICATION

Specifications	Model	500W	1000W	1500W	2000W	3000W	4000W	5000W	6000W
General Specification									
Input wave form	Pure Sine Wave (Utility Grid or Generator)								
Nominal voltage	120Vac / 230Vac								
Low voltage trip	85Vac / 184Vac \pm 4%								
Low voltage re-engage	95Vac / 194Vac \pm 4%								
High voltage trip	135Vac / 276Vac \pm 4%								
High voltage re-engage	127Vac / 256Vac \pm 4%								
Max. input AC voltage	150Vac / 280Vac								
Nominal AC frequency	50/60Hz (Auto Detect)								
Low freq trip	47Hz for 50Hz; 57Hz for 60Hz								
High freq trip	55Hz for 50Hz; 65Hz for 60Hz								
Output wave form	Same as input (Bypass mode)								
Overload protection	Circuit Breaker								
Short circuit protection	Circuit Breaker								
Transfer switch rating	30A or 40A								
Efficiency on line transfer mode	> 95%								
Line transfer time	10ms (Typical)								
Bypass without battery connected	Yes								
Max. bypass current	30A or 40A								
Bypass overload current	35A or 45A: Alarm								
Inverter Specification (Output)									
Output wave form	Pure Sine Wave								
Output continuous power	500W	1000W	1500W	2000W	3000W	4000W	5000W	6000W	
Output apparent power	500VA	1000VA	1500VA	2000VA	3000VA	4000VA	5000VA	6000VA	
Surge ratings	1500VA	3000VA	4500VA	6000VA	9000VA	12000VA	15000VA	18000VA	
Power factor	0.9 - 1.0								
Nominal output voltage	120Vac / 230Vac								
Output voltage regulation	\pm 10%								
Output frequency	50 / 60Hz \pm 0.3Hz								
Nominal efficiency	> 88%								
Short circuit protection	Yes, fault after 10s								
Inverter Specification (Input)									
Nominal input voltage	12Vdc		24Vdc			48Vdc			
Min. start voltage	10Vdc		20Vdc			40Vdc			
Low battery alarm	11Vdc		22Vdc			44Vdc			
Low battery trip	10Vdc		20Vdc			40Vdc			
High voltage alarm	16Vdc		32Vdc			64Vdc			
Power saver	Below 25W when enabled. Same switched on/off remotely								
Charger Mode Specification									
Input voltage range	95-127Vac / 194-256Vac								
Output voltage	Dependent on battery type								
AC/DC charging current	15A to 45A								
Battery initial voltage for start up	12V: 0-15.7V / 24V: 0-31.4V / 48V: 0-62.8V								
Over charge protection shutdown	12V: 15.7V / 24V: 31.4V / 48V: 62.8V								
General Data									
Dimensions (W / H / D)	486.4 x 400 x 181.2 mm					486.4 x 432 x 181.2 mm			
Weight	16kg	19kg	20kg	24kg	28kg	39kg	49kg	49kg	
Features									
Interfaces: RS232/RJ11	Yes / Optional								
Warranty	1 year								