

Single Phase 1.6-6kW (New Version)



New Design

- Ultra light in weight
- Small in size
- IP65 for outdoor
- Natural cooling

New Features

- Patented topology
- Improved MPPT algorithm
- Touch-tone LCD control

New Monitoring System

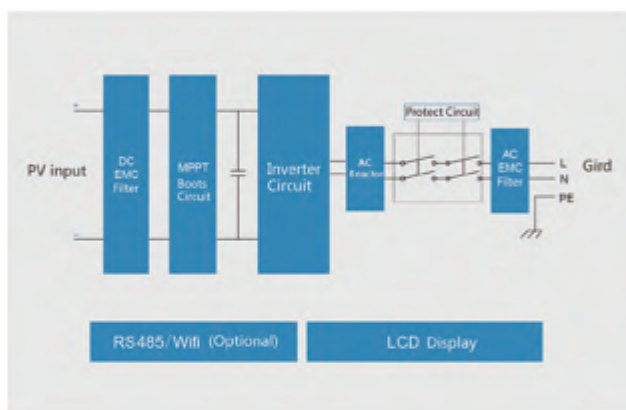
- Specialized WiFi&GPRS module, easy to install
- New monitoring platform, new experience

New Performance

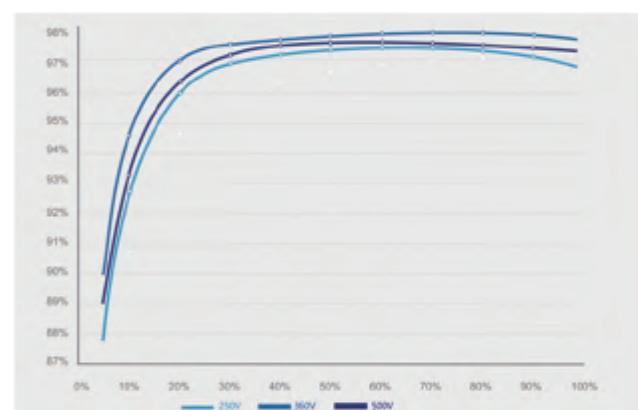
- Lower start PV voltage
- Wider MPPT voltage range
- Wider grid voltage range
- More stable operation
- Higher efficiency



DIAGRAM



EFFICIENCY




Technical Date

Inverter model	SF1.6KTN	SF2.2KTN	SF3KTN	SF3.6KTN	SF4.2KTN	SF4.6KTN	SF5KTN	SF5.5KTN	SF6KTN
Input (DC)									
Max DC power	1.92kW	2.64kW	3.6kW	4.32kW	5.04kW	5.52kW	6kW	6.6kW	7.2kW
Max DC voltage	550V								
Start up voltage	80V								
MPPT voltage range/Rated voltage	100~500V/360V								
Full load MPPT voltage range	200~450V	250~450V	300~450V	200~450V	250~450V	250~450V	300~450V	300~450V	300~450V
Max input current per MPPT	13A	15A	15A	15A+15A					
MPPT tracker/ String per tracker	1/1			2/(1+1)					
Output(AC)									
AC nominal power	1.6kW	2.2kW	3kW	3.6kW	4.2kW	4.6kW	5kW	5.5kW	6kW
Overload capacity	110%								
Nominal AC voltage/frequency	L/N/PE, 220V/230V/240V, 50/60Hz/±5Hz								
Max output current	8A	11A	15A	18A	21A	23A	25A	27.5A	30A
Power factor(Adjustable)	>0.99 / 0.8 leading~0.8 lagging								
Harmonics(THD)	<2%								
DC injection	<0.5%								
System performance									
Max efficiency	97.70%	97.80%		98.00%			98.10%	98.10%	98.00%
Euro efficiency	97.00%	97.20%		97.40%			97.60%	97.60%	97.50%
MPPT efficiency	99.90%								
Internal consumption(night)	<0.1W								
Electric protection	AC output over-current protection, DC input reverse polarity protection, AC output short circuit protection, AC output over-current protection, Insulation impedance monitoring, Leakage current monitoring, AC and DC surge protection, Anti-islanding protection, Over temperature protection,Over/under voltage & frequency protection.								
Topology structure	Transformerless								
General data									
Net dimension (W*H*D)	340*330*120mm				340*398*120mm				
Gross dimension (W*H*D)	410*400*190mm				478*400*190mm				
Net weight/Gross weight	8kg/10.5kg				11kg/13kg				
Degree of protection	IP65								
Cooling method	Natural Convection								
Noise(Typical)	<30dBA								
Operation temperature	-25°C~60°C (>45°C Derating) /0~100%(Non-condensing)/4000m (<3000m no derating)								
DC connector/AC connector	MC4 or other same kind of plug and play connectors/Waterproof PG connector+OT terminal								
Communication(RS485/WiFi)	Yes/Opt.								
Certificate	SAA, INMETRO								
Warranty (6/10/15 years)	Standard/Opt./Opt.								