

SOLAR INVERTER

OFF-GRID SYSTEM

8KW~20KW HYBRID SOLAR INVERTER

3-Phase String Inverter



Features:

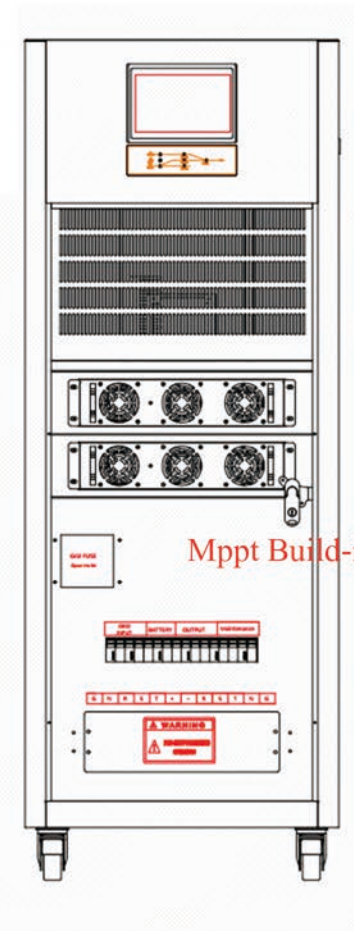
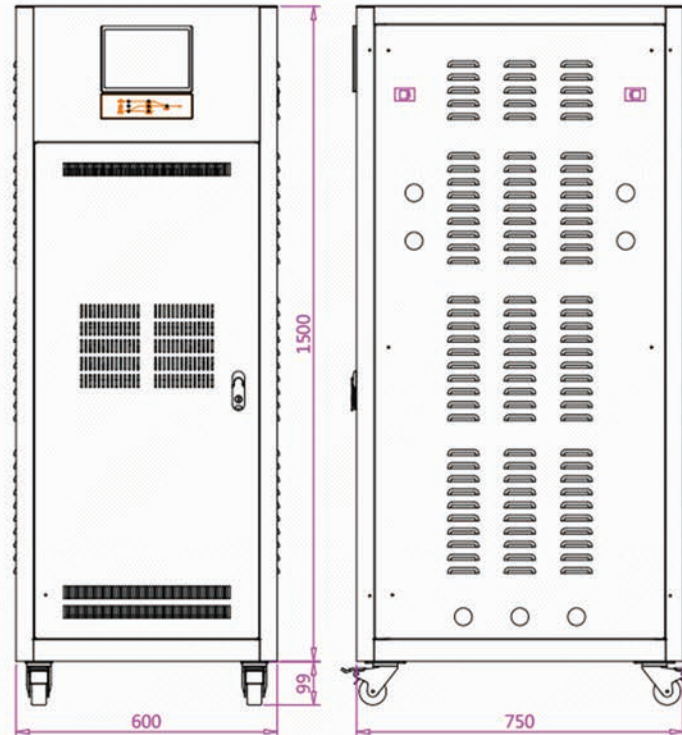
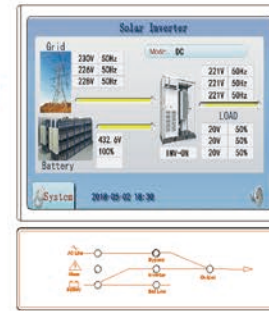
- ◆ Excellent performance for double MCU intelligent control technology;
- ◆ Applies to different types of loads because of its pure sine wave output;
- ◆ Mains supply preferred mode, saving mode and battery preferred mode are all settable, thus making it easy to meet the different application needs of users;
- ◆ A wide range, high accuracy, and full automatic voltage stabilization;
- ◆ Intelligent optimization SOC control and independent three-stage photovoltaic charge management for battery to improve charge efficiency
- ◆ LCD touch screen for visualization of operation
- ◆ Overall protection functions (battery overcharge protection, battery under voltage protection, overload protection, short circuit protection and over temperature protection).

Off-grid, Three phase, Solar Inverter

8KW ~ 20KW



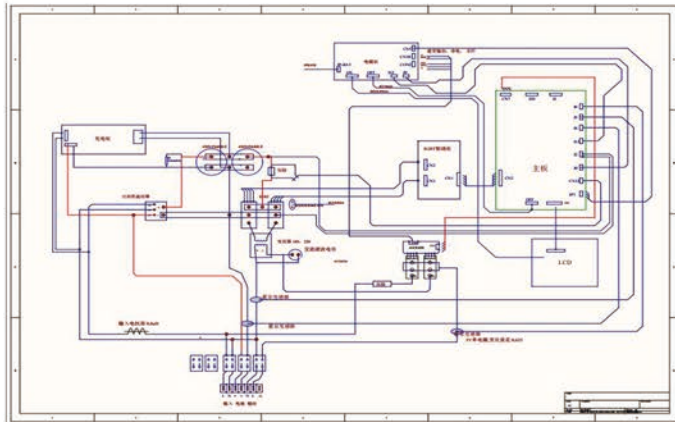
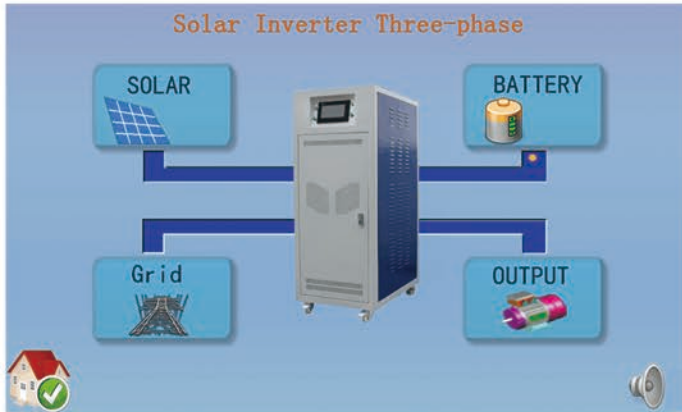
Touch LCD Screen Control Panel



Mppt Build-in

Off-grid, Three phase, Solar Inverter

8KW ~ 20KW



IGBT driver module



DSP processor



Touch screen display



Transformer

Technical Parameters:

Model		LXINV080	LXINV100	LXINV150	LXINV200
Rated power		8000W	10000W	15000W	20000W
Battery	Rated voltage	192V/220V			
	Charge current	Max 10A~30A			
Input	Voltage	180-275VAC			
	Frequency	50Hz; 60Hz			
Output	Voltage	Inverter: 220V			
	Frequency	50/60Hz			
	Output Waveform	Pure sine wave			
	Conversion time	<10ms			
	Efficiency	>90%			
	Overload	110-120%/30; >120%/3s			
	Protection function	Battery overvoltage protection, battery undervoltage protection, overload protection, short circuit protection, overtemperature protection, etc.			
Display		Touch LCD Screen			
Cooling method		Air-cooled			
Operation Temperature		0-40%			
Dimensions:DxWxH (mm)		750 x 600 x 1500			
Weight (kg)		85	95	130	145
With Mppt Controller:					
Solar input	Input voltage	250-400VDC			
	Maximum current	50A / 60A / 80A / 100A (Optional)			
	Number of DC input channels	1		2	
	Power	10000W / 20000W			