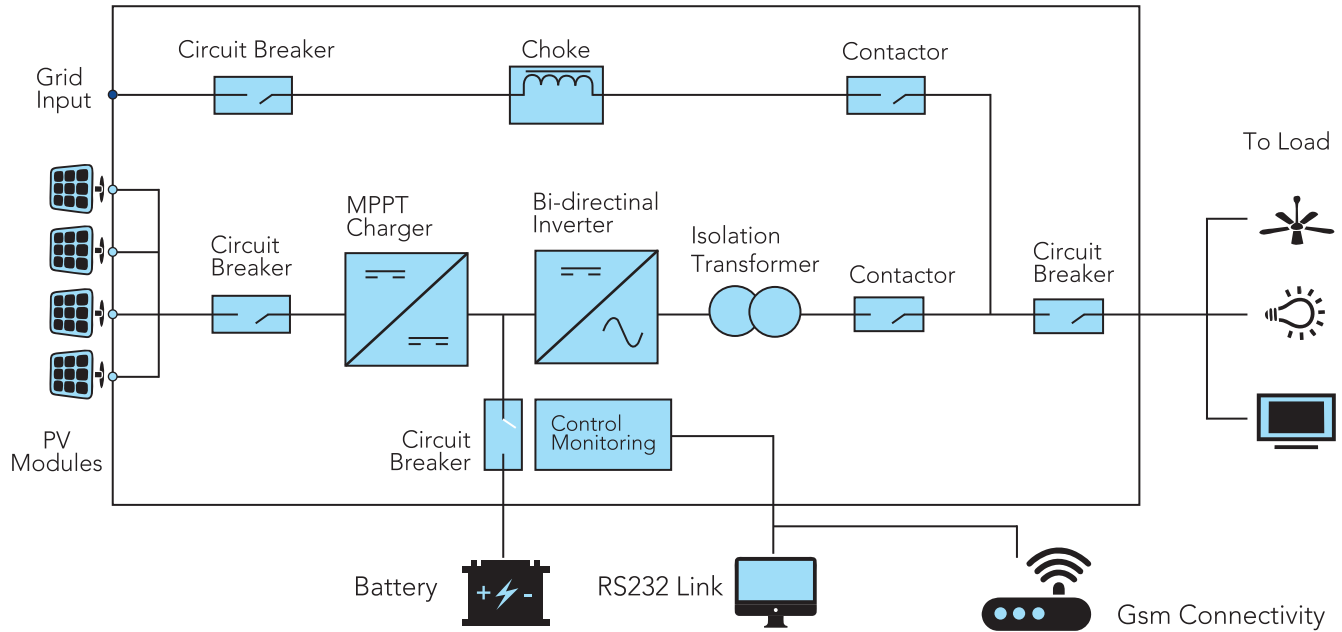


SUNMAGIC⁺ Series - 10KVA TO 150KVA

POWER CONDITIONING UNIT



Features

- DSP Controller System
- Bidirectional Inverter
- MPPT Charger with 2 algorithms
- Genset Compatible
- Higher MPPT Capacity available
- Selectable battery charging through grid upto 100%
- Priority modes user selectable SBG/SGB/GFM/Batteryless/INV
- Inbuilt Galvanic Isolation
- Buffer Backup Selection (25/50/75)
- Grid Export Mode
- I/P PF Near to Unity
- Analysis via Metering
- Battery less Operation (SUNMAGIC⁺ Model)





Specifications - 3 Phase

SUNMAGIC⁺ (10 KVA TO 150 KVA)

INVERTER	10KVA - 15KVA	20 25 30 40 50 60 80 KVA	100 120 150 KVA
DC Voltage	120 V	240 V	360 V
Output Voltage (Inverter Mode)	415 V AC \pm 2%		
Output Frequency (Free Running)	50Hz \pm 0.5%		
Output Waveform	Pure Sine Wave		
Peak Inverter Efficiency (Full Load)	>90%		
Full Load THD (Inverter Mode)	<=3%		
Overload	125% for 60 sec, 150% for 5 Sec		
Changeover Time (At Full Load)	<= 15 ms		
Bypass Facility	Manual Service		
DC to AC Isolation	Transformer		
BATTERY			
Nominal Battery Voltage	As per DC Voltage mentioned above		
Grid Charging Current	Selectable / Off		
Input Power Factor (Grid Charging)	Near to Unity		
Battery Charging Voltage	Selectable		
INPUT			
Input Voltage Range	330 to 450 \pm 5V		
DG Compatibility	Yes		
Input Frequency Range	50 Hz \pm 6%		
SOLAR			
Charger Type	MPPT		
Max PV Voltage (VOC)	300V	500V	700V
MPPT Voltage Range	165 - 250V	290 - 400V	450 - 600V
MPPT Modes Available	4 (selectable)		
Solar Charger Current Rating	KVA = KW		
Panel Reverse Protection	Yes		
Solar Charger Efficiency	>95%		
CONFIGURATION			
Modes Available	Hybrid, Grid Export, Standalone		
Battery Buffer Setting	Selectable from 25%, 50%, 75%		
GRID Feed Mode	Enable/Disable Option Available		
RESET			
Manual Fault Reset / Buzzer Reset	Yes		
Auto Reset	Battery Low, Overload, Short Circuit		
DISPLAY			
Input	Voltage, Current and Frequency, KW, kWh		
Output	Voltage, Current and Frequency, KW, kWh		
Battery	Voltage and Status, Charging I, Discharging I		
Solar	Voltage, Current, KW, kWh		
Other	Current Status, Configuration, Fault Log		
INDICATIONS			
LED	Grid On, PV on, Grid Charger On, Inverter On, Load on Mains		
LCD	Output Under / Over, Battery Low/Over, Overload, Short - Circuit, Stand by Mode		
ALARM	Available for Fault and Warnings		
ENCLOSURE			
Degree of Protection	Indoor		
Cooling	Force Air Cool		
Noise	<50dB		
Color	Slate Grey		
ENVIRONMENTAL			
Temperature Range (Operating)	0°C to 40° C		
Temperature Range (Storage)	-10°C to 60° C		
Altitude (Max)	1000m		

* Specification are subject to change without notice