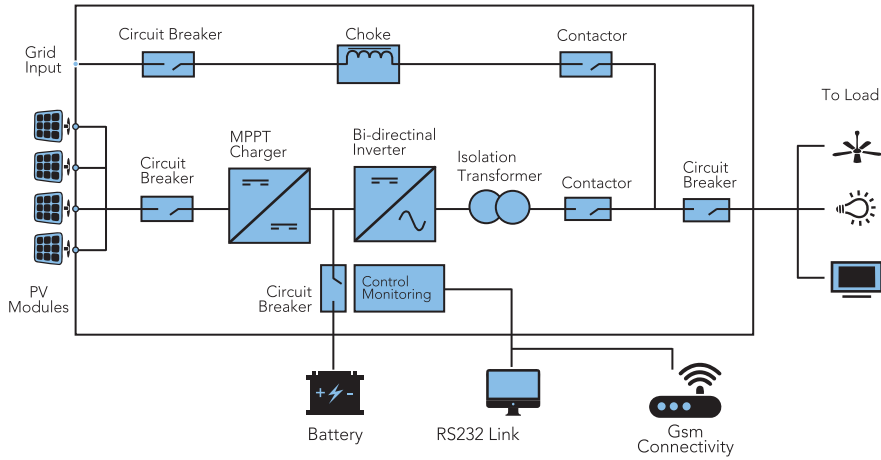


SUNMAGIC Series - 1KVA TO 15KVA

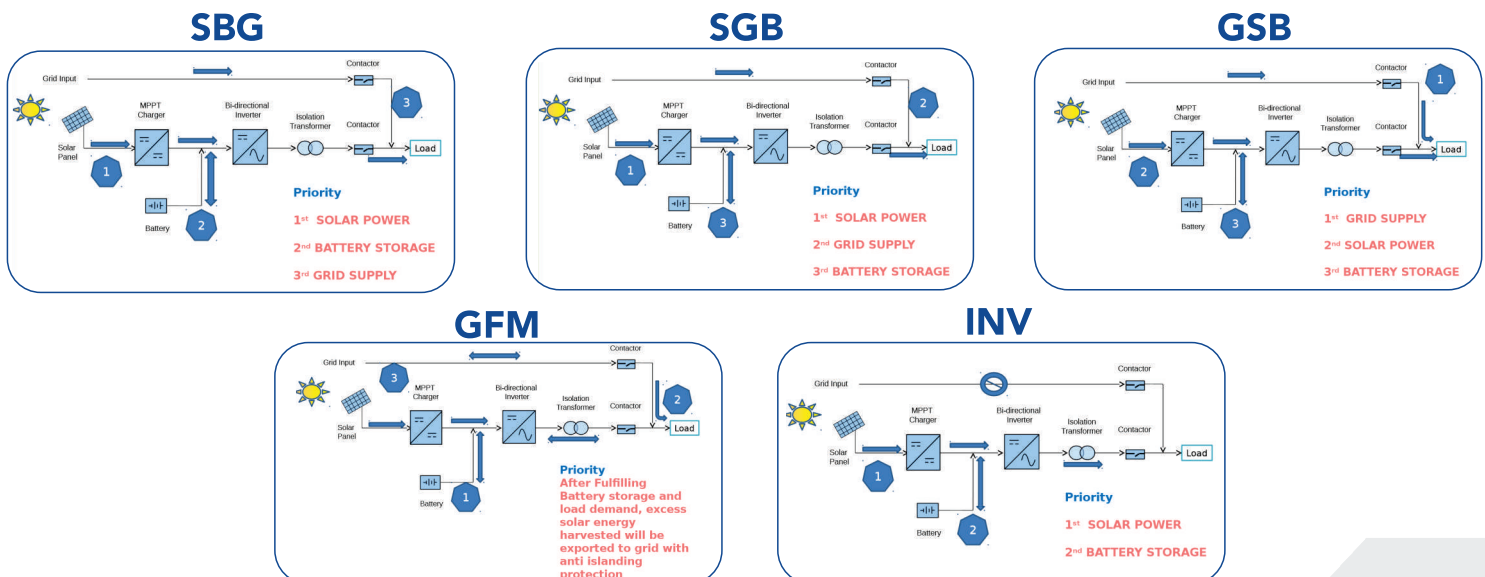
POWER CONDITIONING UNIT



Features

- | | |
|---------------------------------|-----------------------------|
| Smooth Change over | Selectable priority SBG/SGB |
| Galvanic Isolation | In-depth Metering |
| Priority Selection | Optional Touch screen |
| Customizable as per requirement | Optional wind input |
| Suitable for all type of loads | |

Modes Of Operation





Specifications - 1 Phase

SUNMAGIC (1KVA TO 15 KVA)

INVERTER	1KVA - 3KVA	3KVA - 6KVA	8KVA - 15KVA
DC Voltage	48 V	96 V	120 V
Output Voltage (Inverter Mode)	230V AC \pm 2%, 1 Phase		
Output Frequency (Free Running)	50Hz \pm 0.5%		
Output Waveform	Pure Sine Wave		
Peak Inverter Efficiency (Full Load)	>90%		
Full Load THD (Inverter Mode)	<=3%		
Overload	125% for 60 sec, 150% for 5 Sec		
Changeover Time (At Full Load)	<= 15 ms		
Bypass Facility	Manual for Service		
DC to AC Isolation	Transformer		
BATTERY			
Nominal Battery Voltage	As per DC Voltage mentioned above		
Grid Charging Current	Selectable / Off		
Input Power Factor (Grid Charging)	Near to Unity		
Battery Charging Voltage	Selectable		
INPUT			
Input Voltage Range	170V to 260V (\pm 5V) 1 Phase		
DG Compatibility	Yes		
Input Frequency Range	50 Hz \pm 6%		
SOLAR			
Charger Type	MPPT		
Max PV Voltage (VOC)	150V	250V	300V
MPPT Voltage Range	65 - 130V	130 - 200V	165 - 250V
MPPT Modes Available	2 (selectable)		
Solar Charger Current Rating	KVA = KW		
Panel Reverse Protection	Yes		
Solar Charger Efficiency	>95%		
CONFIGURATION			
Modes Available	Hybrid, Grid Export, Standalone		
Battery Buffer Setting	Selectable from 25%, 50%, 75%		
GRID Feed Mode	Enable/Disable Option Available		
RESET			
Manual Fault Reset / Buzzer Reset	Yes		
Auto Reset	Battery Low, Overload, Short Circuit		
DISPLAY			
Input	Voltage, Current and Frequency. KW, KWh		
Output	Voltage, Current and Frequency, KW, KWh		
Battery	Voltage and Status, Charging I, Discharging I		
Solar	Voltage, Current, KW, KWh		
Other	Current Status, Configuration, Fault Log		
INDICATIONS			
LED	Grid On, PV on, Grid Charger On, Inverter On, Load on Mains		
LCD	Output Under / Over, Battery Low/Over, Overload, Short - Circuit, Stand by Mode		
ALARM	Available for Fault and Warnings		
ENCLOSURE			
Degree of Protection	Indoor		
Cooling	Force Air Cool		
Noise	<50dB		
Color	Slate Grey		
ENVIRONMENTAL			
Temperature Range (Operating)	0°C to 40° C		
Temperature Range (Storage)	-10°C to 60° C		
Altitude (Max)	1000m		

* Specification are subject to change without notice