

## Energy Storage Off-grid Inverter



### High efficiency

- Multiple charging voltage grades to adapt to more battery topology, to maximize battery performance.
- Multiple working mode are optional for different working priority (Grid / battery / energy saving mode).
- Electricity bypass quick charging function.
- Solar panel MPPT Charging technology.

### Intelligence

- User-friendly multiple communication module (RS485, RS232, CAN, GPRS, WIFI) are optional to be compatible with more monitoring device: mobile, computer, Internet/remote operation.

### Reliable

- Over-load and short-circuit protection.
- Capable of providing the continuous power to linear load or not-linear load of lamp, computer, fridge, air-conditioner, fans, and household appliances and industrial power.

### Application Scenario



Communication base station

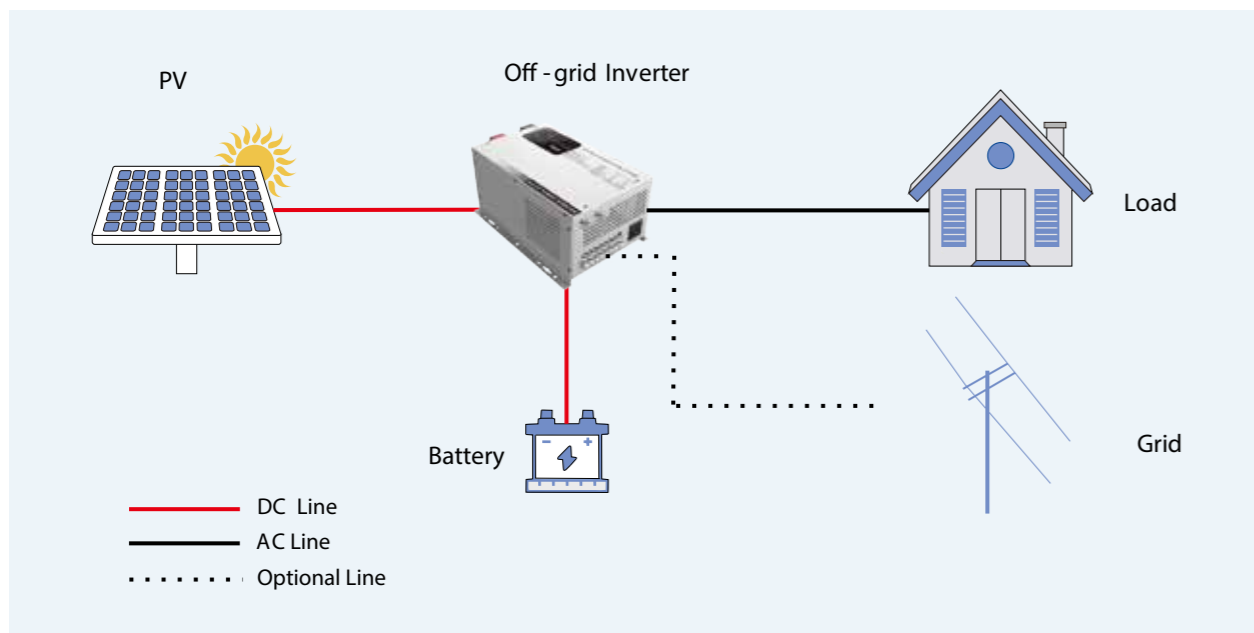


Nomadic area



Farm

### Product Topology



Model	RBN1012C	RBN1024C	RBN1512C	RBN1524C	RBN2012C	RBN2024C	RBN3012C	RBN3024C	RBN4048C	RBN5048C	RBN6048C	
<b>Line mode</b>												
AC input voltage	220/230/240Vac											
AC input voltage range	155~272Vac (±2%)											
Rated frequency	50Hz/ 60Hz ( auto detection)											
Frequency range	47±0.3Hz ~ 55±0.3Hz for 50Hz; ( 57±0.3Hz ~ 65±0.3Hz for 60Hz)											
Over-load/short-circuit protection	circuit breaker											
Efficiency	>95%											
Transfer time	(AC to DC or DC to AC): 10ms ( typical )											
Bypass relay current	30A						40A					
<b>Invert mode</b>												
Output voltage waveform	Sine wave											
Rated output power	1000VA/1000W	1500VA/1500W	2000VA/2000W	3000VA/3000W	4000VA/4000W	5000VA/5000W	6000VA/6000W					
Power factor	1											
Rated output voltage	220/230/240 ( ±10% ) Vac											
Rated output frequency	50Hz ±0.3Hz/60Hz ± 0.3Hz											
Efficiency	>88%											
Over-load protection	(110%< Load<125%) ±10%: fault( shutdown output )after 15 min ; (125%<Load <150%) ±10%: fault( shutdown output )after 60 S ; Load >150% ±10%: fault( shutdown output ) after 20S											
Peak power (10s)	3000VA	4500VA	6000VA	11000VA	12000VA	15000VA	18000VA					
Capable of starting electric motor	1HP			2HP			3HP	4HP	5HP			
Output short-circuit protection	current limit( fault after 10s )											
Output breaker current	10A			30A			40A					
DC input voltage / Min.dc start voltage	12VDC mode : 12/11Vdc ; 24VDC mode: 24/22Vdc											
DC input voltage range	10.0 ~ 16.0, ±0.6Vdc; 12VDC mode (*2 is 24VDC input mode ,*4 is 48VDC input mode ) ( 12VDC mode : low alarm: 10.5V; shutdown: 10V; high fault: 16V; high recovery: 15.5V )											
Main operating mode	0-6 level : electricity first; 7-9 level battery first											
<b>Charge(line)</b>												
Charge current	35A	20A	45A	25A	65A	35A	75A	50A	35A	40A	50A	
Charge current regulation	± 5A											
Battery voltage range	12VDC mode : 10-15.7Vdc ; 24VDC mode : 20-31.4Vdc						40-62.8Vdc					
Charge short-circuit protection	circuit breaker											
Breaker current	10A			30A			40A					
Over charge protection	battery voltage ≥ 15.7V 为 12VDC mode (*2 为 24VDC input mode ,*4 为 48VDC input mode ); every 1S&fault after 60S											
<b>Charge(solar)</b>												
MPPT voltage range	12VDC mode: 15-55Vdc ; 24VDC mode: 18-78Vdc						50-145Vdc					
Max. PV input voltage	12VDC mode : 70Vdc ; 24VDC mode: 100Vdc						200Vdc					
Max. PV open circuit voltage	12VDC mode : 56Vdc ; 24VDC mode: 80Vdc						145Vdc					
Rate charge current	45A						60A					
Max. Full load charging efficiency	98%											
Battery short-circuit protection	Fuse											
Solar panel wiring protection	Anti reverse connecting protection											
<b>Others</b>												
Dimension (LXWXD)	410X264X180mm						510X264X180mm		555X264X180mm			
Weight	15.7kg	16kg	19.9kg	19kg	21.9kg	22kg	26.3kg	26kg	29.2kg	34.5kg	37.3kg	
Degree of protection	IP20 ( force air , variable speed fan )											
Operation temperature range	-15~ 40°C (-25°C ~ 60°C for storage )											
Relative humidity	5%~95%											
Communication interface	RS-485/GPRS/WIFI											
Safe certificate/ emc certificates	CE(EN62040-1, EN62040-2 ) / C2											
Factory warranty	1 years											