

EP-2500-AI-OD/10~35

Central inverter integrated with MV transformer



More power generation

Inverter Max. efficiency 99%, Euro efficiency 98.7%
1.1Pn overload capacity at 45 °C
Full power operation without derating at 50 °C



Low system cost

IP54 container solution Integrated with MV transformer
Auxiliary power supply and communication integrated
Integrated reactive power compensation
High DC/AC ratio up to 1.5



High reliability

Key components online monitoring
Redundancy design for cooling fans and control power supply
Industry oriented design for harsh environment

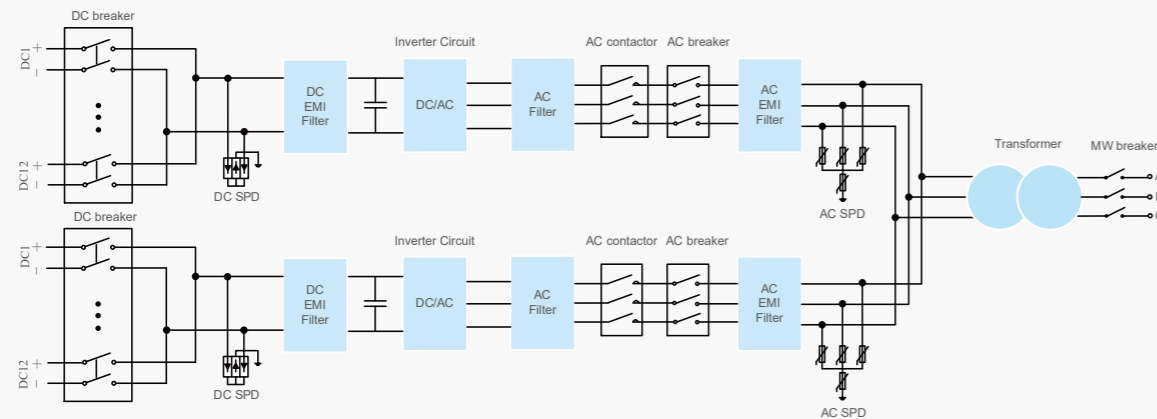


Grid friendly

LVRT and HVRT function
Low harmonics and fast response for grid regulation



Circuit



Input (DC)	EP-2500-AI-OD/10~35
Max. PV input voltage	1000V
Max. input current	4844
MPP voltage range for nominal power	600-850V
Number of MPPT trackers	2
Number of DC inputs	16~24
Output (AC)	EP-2500-AI-OD/10~35
Rated output power	2500kW
Max. output power	2750kW
Rated grid voltage	10~35kV
Max. inverter output current	45.4A
Rated grid frequency / range	50 Hz/45~55Hz, 60Hz/55~65 Hz
Output current harmonic(at nominal power)	<3%
Power factor at nominal power / range	>0.99/0.8 lagging to 0.8 leading
Protection	EP-2500-AI-OD/10~35
DC input protection	Load break switch+fuse/Circuit breaker
AC output protection	Circuit breaker
AC MV output protection	Circuit breaker/Load break switch+fuse
Overvoltage protection	DC Type II/AC Type II
Leakege current monitoring	Yes
Ground fault monitoring	Yes
Insulation monitoring	Yes
Overheat protection	Yes
Reactive power compensation	Optional
Anti-PID function	Optional
Smoke detecting	Yes
Efficiency	EP-2500-AI-OD/10~35
Inverter Max. efficiency	99%
Inverter EU efficiency	98.70%
General data	EP-2500-AI-OD/10~35
Dimensions (WxHxD)	6058x2890x2438mm
Weight	14t
Protection level	IP54
Temperature	-30 °C~+60 °C (>50 °C derating)
Transformer	Oil-immersed transformer
Cooling mode	Temperature controlled forced air cooling
Max.operating altitude	2000m (standard) / > 2000 m (optional)
Display	LCD
Communication port	RS485/Ethernet