

# EP-1250-HA

EP Series 1500V Central Solar Inverter



## More power generation

Max. efficiency 99%, Euro efficiency 98.7%.  
1.1 Pn overload capacity at 45°C  
Full power operation without derating at 50°C



## Low system cost

Integrated DC power distribution function  
Integrated reactive power compensation  
High DC/AC ratio up to 1.5



## High reliability

Key components on line monitoring  
Redundancy design for cooling fans and power supply  
Industry oriented design for harsh environment

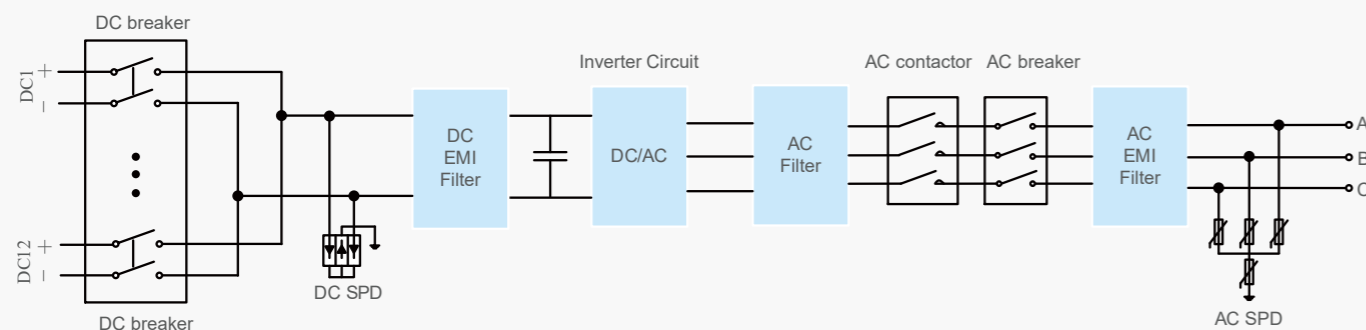


## Grid friendly

LVRT and HVRT function  
Low harmonics and fast response for grid regulation



## Circuit



Input (DC)	EP-1250-HA
Max. PV input voltage	1500V
Max. input current	1754A
MPP voltage range for nominal power	800V~1300V
Number of MPPT trackers	1
Max.Number of DC inputs	8
Output (AC)	EP-1250-HA
Rated output power	1250kW
Max. output power	1375kW
Rated grid voltage	550V
Grid voltage range	468V~605V
Max. output current	1443A
Rated grid frequency / range	50 Hz/45~55Hz, 60Hz/55~65Hz
Output current harmonic(at nominal power)	< 3%
Power factor at nominal power / range	>0.99/0.8 lagging to 0.8 leading
Protection	EP-1250-HA
DC input protection	Load break switch+fuse/Circuit breaker
AC output protection	Circuit breaker
Overvoltage protection	DC Type II/AC Type II
Leakege current monitoring	Yes
Ground fault monitoring	Yes
Insulation monitoring	Yes
Overheat protection	Yes
Reactive power compensation	Optional
Anti-PID function	Optional
Efficiency	EP-1250-HA
Max. efficiency	99%
EU efficiency	98.70%
General date	EP-1250-HA
Self-consuming at runtime	<1220W
Self-consuming in standby	<40W
Protection level	IP20
Temperature	-30°C~+60°C (>50°C derating)
Allowed humidity(non condensing)	0~95%
Cooling mode	Temperature controlled forced air cooling
Max.operating altitude	4000m(>3000m derating)
Display	Touch screen
Communication port	RS485/Ethernet
Certificates and approvals (more available on request)	IEC 62109, IEC 61727, IEC 61683, IEC 62116, IEC 60068, IEC61000
Dimensions (W×H×D)	2226×2050×725mm
Weight	1250kg