

SP-70K

SP Series String Solar Inverter



More power generation

Max. efficiency 99%, Euro efficiency 98.60%
3 MPPTs for tracking maximum PV power



Low system cost

Up to 12 PV strings
High DC/AC ratio for lower LCOE



High reliability

Cooling fan with IP68 protection level
String monitoring function, easy for quick trouble shooting

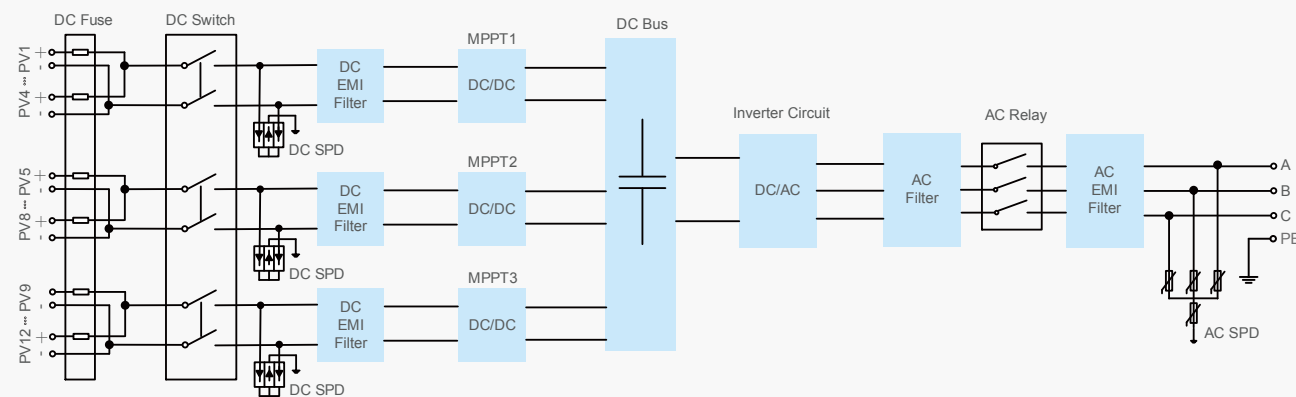


Grid friendly

Active power derating and reactive power adjustable
Low harmonics and fast response for grid regulation



Circuit



Input (DC)

	SP-70K
Max. PV input voltage	1100V
Max. input current	44A*3
Rated input voltage	760V
MPP voltage range	200~1000V
MPP voltage range for nominal power	625~850V
Number of MPPT trackers	3
Max. number of PV strings per MPPT	4

Output (AC)

Rated output power	70kW
Max. output power	77kW
Rated grid voltage	500V
Grid voltage range	425~550V
Max. output current	89A
Rated grid frequency / range	50Hz/45~55Hz, 60Hz/55~65Hz
Output current harmonic(at nominal power)	<3%
Power factor at nominal power / range	>0.99/0.8leading to 0.8lagging

Protection

DC reverse connection protection	Yes
Overvoltage protection	DC Type II/AC Type II
Leakage current protection	Yes
Grid monitoring	Yes
Insulation monitoring	Yes
Anti-island protection	Yes

Efficiency

Max. efficiency	99.00%
EU efficiency	98.60%

General Data

Isolation method	Transformerless
Self-consuming in night	<5W
Protection level	IP65
Noise	<60dB
Temperature	-30℃~+60℃
Allowed humidity(non condensing)	0-100%
Cooling mode	Temperature controlled forced air cooling
Max.operating altitude	4000m (>3000m derating)
Communication port	Standard:RS485, Optional:PLC
Dimensions (WxHxD)	585x853x295mm
Weight	72kg