

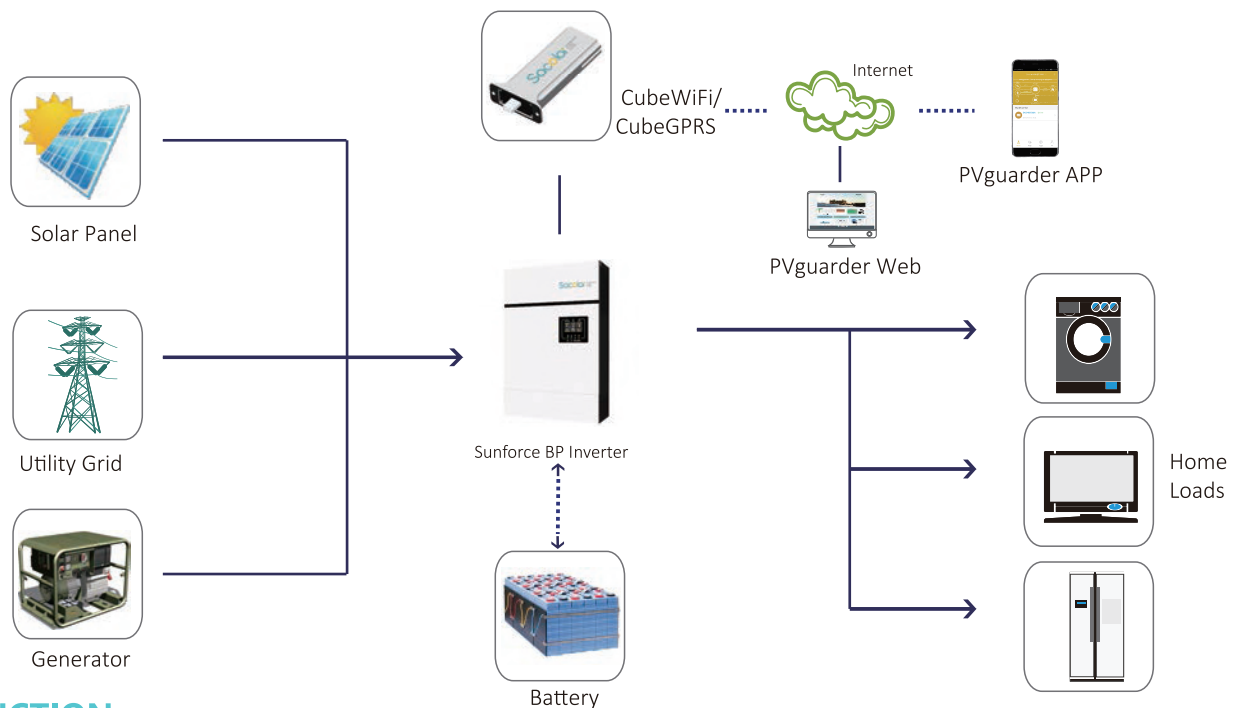
Sunforce BP Series

High Frequency Off-Grid Solar Inverter



MAIN FEATURES:

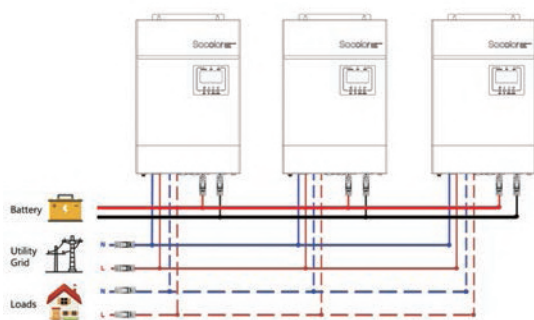
- Rated power 5KW, power factor 1
- Built-in MPPT, MPPT voltage range 120V~430Vdc
- Pure sine wave AC output
- Solar and utility joint to power the loads
- With the ability to work with or without battery
- Parallel operation up to 6 units
- WIFI/ GPRS remote monitoring
- CAN/ RS485 communication for BMS



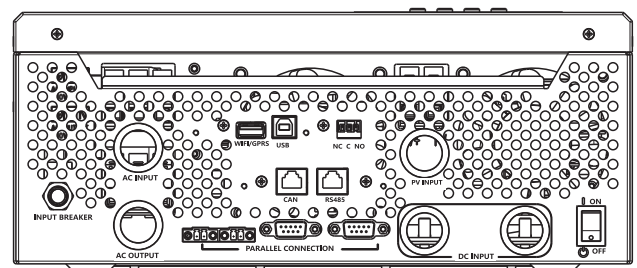
INTRODUCTION:

Sunforce BP series off grid solar inverter is integrated with a MPPT solar charge controller, a high frequency pure sine wave inverter and a UPS function module in one machine. This inverter can work with or without batteries.

Sunforce BP 5KW can be wired in parallel to increase the output capacity. With Sacolar monitoring accessory, the whole system status can be monitored anytime anywhere.



PARALLEL CONNECTION



BOTTOM VIEW

High Frequency Solar Inverter

SPECIFICATION

Model

Sunforce-BP 5000

Rated Power	5000VA/5000W
System DC voltage	48VDC
Parallel Option	Yes, up to 6 units
Monitoring Option	WiFi or GPRS

Inverter Output

AC Voltage	220V-230V-240VAC
Surge Power	10000VA
Peak Efficiency	93%
Transfer Time	10ms (For Personal Computers); 20ms (For Home Appliances)
Waveform	Pure Sine Wave

Solar Charger & AC Charger

Max. PV Array Open Circuit Voltage	450Vdc
Max. PV Array Power	6000W
Operating Voltage MPPT Range	120~430Vdc
Battery Overcharge Protection	60Vdc
Max. Solar Charge Current	100A
Max. AC Charge Current	80A
Max. Charge Current	100A

Physical

Dimension	470x320x135mm
Net Weight	12Kg
Communication Interface	USB/CAN/RS485

Environment

Humidity	5% to 95% Relative Humidity (Non-condensing)
Operating Temperature	0°C~50°C
Storage	-15°C~60°C

