

TSOL-M300/M600



Maximized Efficiency

- Individual optimization, separate dedicated MPPT for each panel.
- New topology design, max. efficiency up to 96.7%.

Flexibility

- Plug & play installation. Easy to install.
- Easily Expandable. Separate AC cable. Flexible system design.
- Optional PLC monitor device. Real-time data accessible.

Safety

- Max. DC voltage 50V. No threat for high DC voltage.
- Integrated LoM protection function. Ensure the safety of power grid.

Reliability

- Die casting design and glue filling technology. Better thermal dissipation.
- Standard 12 years warranty, Quality guaranteed.

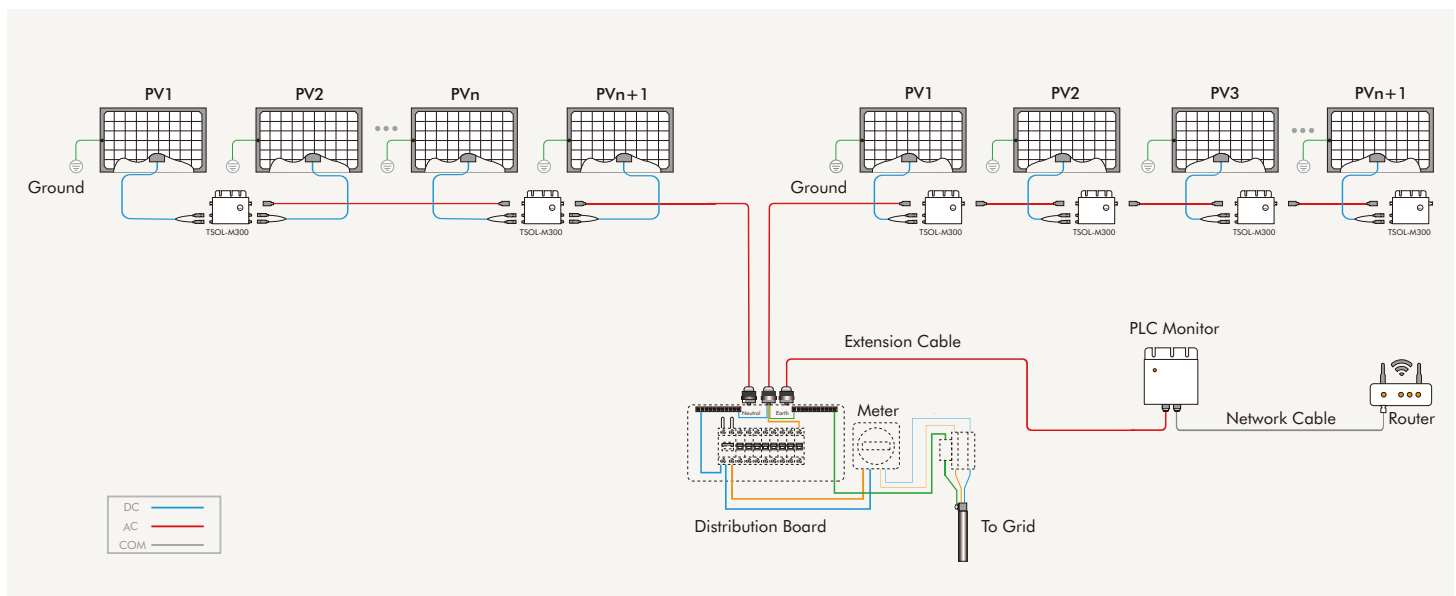
CE VDE 0126 VDE 4105 EN 50438 IEC 62116 IEC 61727 IEC 61683

Technical Data

Model	TSOL-M300	TSOL-M600
Input(DC)		
Recommended Input Power [W]	200~320	2 * 200~320
MPPT Voltage Range [V]	24~45	24~45
Operating Voltage Range [V]	18~50	18~50
Max. Input Voltage [V]	50	50
Max. Input Current [A]	9.5	9.5
Max. Input Short Circuit Current[A]	15	15
Output [AC]		
Max. Continuous Output Power [W]	270	550
Nominal Output Current [A]	1.17	2.39
Max. Output Current [A]	1.17	2.39
Nominal Output Voltage [V] *		220/230/240
Nominal Frequency [Hz] *		50/60
Power Factor		>0.99
Output Current Harmonic Distortion		<3%
Max. Units Per 20A Branch	14	7
Efficiency		
Peak Inverter Efficiency	95.4%	95.4%
CEC Weighted Efficiency	95.0%	95.0%
Nominal MPPT Efficiency	99.8%	99.8%
Night Time Power Consumption [mW]	<120	<120
Mechanical Data		
Dimensions (WxHxD) [mm]	168×162×34.5	218×174×34.5
Weight [kg]	1.89	2.35
Type of Enclosure		IP67
Cooling		Natural Convection
Environmental Data		
Operating Ambient Temperature Range [°C]		-40°C to 65°C
Operating Internal Temperature Range [°C]		-40°C to 85°C
Relative Humidity		0-100 % condensing
Max. Operating Altitude Without Derating [M]		2000
Monitor	PLCC	PLCC

※ The AC voltage and frequency range may vary depending on specific country grid.

Diagram



For more information, visit/contact us at www.tsun-ess.com

©2019 TSUNESS. All rights reserved. All specifications are subject to change without prior notice.