

Centralized Inverter & Step-up Container Solution

SPI1000K-T/SPI1250K-T/SPI2000K-T/SPI2500K-T



Product Features

Highly integrated - turnkey solution

- Integrated with efficient tri-level centralized PV inverter
- Equipped with transformer (10kV/35kV, Oil/Dry optional), medium voltage distribution
- Integrated multi-function transformer measurement and control device, one-stop solar farm communication solution

Efficient and stable - reliable

- Container standardization production, good consistency
- Unified and one-stop after-sale service
- Optimized inverter and step up unit, higher system efficiency
- 45°C 1.1 times long-term overload, 50°C full load operation

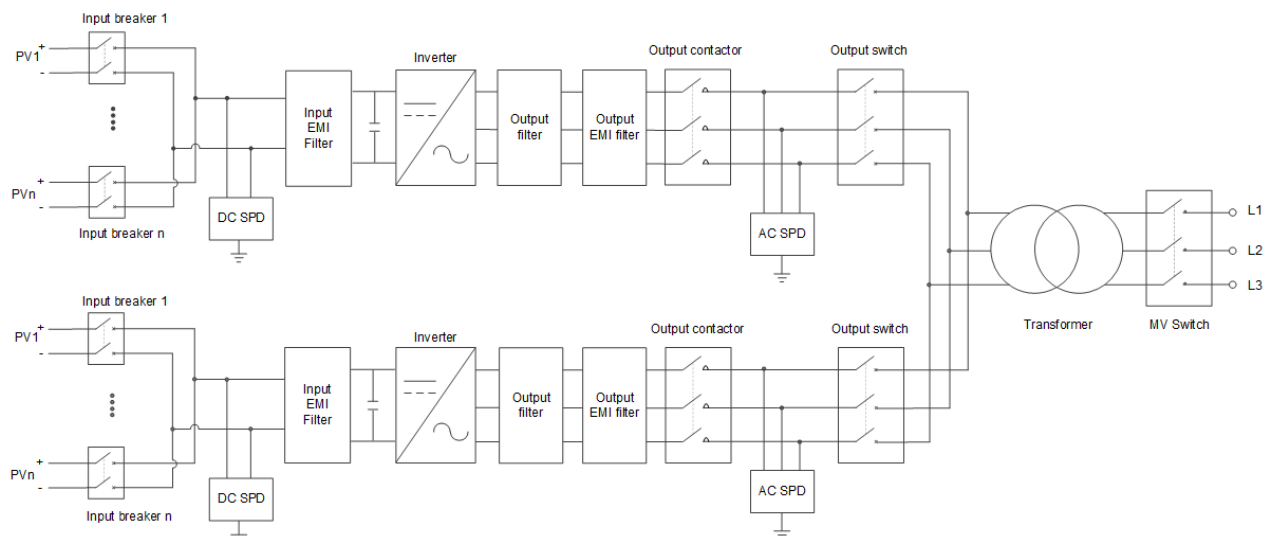
Lean intelligence - full monitoring collection

- Integrated multi - function transformer measurement and control device, intelligent operation management
- Collect the combiner box, inverter and transformer information, quickly and accurately locate the fault
- Unified external communication interface, integrated lean management, rapid deployment and debugging

Lower investment, higher income

- Copper bar connection between inverter and transformer, line loss reduced by 0.1%~0.3%
- Optimize low-voltage distribution, cable connection and installation, and total cost reduce 7%-10%
- Turnkey product, shorten construction period, reduce construction cost

Function Diagram



Technical Specification

Items	SPI1000K-T	SPI1250K-T	SPI2000K-T	SPI2500K-T
DC input				
Max. input power	2x560kW	2x710kW	4x560kW	4x710kW
Max. input voltage	1000Vdc			
Max. input current	2x1200A	2x1350A	4x1200A	4x1350A
No.of PV input strings	2x6	2x8	4x6	4x8
No.of MPPTs	2		4	
MPPT voltage range	460Vdc~850Vdc	520Vdc~850Vdc	460Vdc~850Vdc	520Vdc~850Vdc
Start-up voltage	480Vdc	540Vdc	480Vdc	540Vdc
MPPT efficiency	99.90%			
AC output				
Rated AC output power	1000kW	1250kW	2000kW	2500kW
Max. output power	1100kW	1375kW	2200kW	2750kW
Max. output current	63.51A	79.39A	127.02A	158.78A
Rated AC output voltage	10kV/35kV			
Rated frequency	50Hz/60Hz			
Power factor	>0.99			
Adjustable power factor	0.9 (leading)~0.9 (lagging)			
THDi	<3% (nominal power)			
Inverter efficiency				
Max. efficiency	99.00%			
European efficiency	98.70%			
Efficiency				
LVRT function	Yes			
AC side parallel technology	Yes			
Anti-PID function	Optional			
Fault wave record diagnosis	Yes			
Online upgrade	Yes			
Transformer measurement and control device	Yes			
System data				
Isolation mode	4000x2990x2438mm		5500x2990x2600mm	
IP grade	8000kg	8500kg	10800kg	11500kg
Operation temperature	IP54			
Relative humidity	Oil type/Dry type			
Cooling type	ANAF/ONAN			
Dimensions (WxHxD)	Intelligent forced air cooling			
Weight	2000m (>2000m optional)			
Altitude	-35°C~60°C			
Display	0~100%			
Communication protocol	LCD			
Communication interface	RS485, Ethernet, FDDI (optional)			

■ Specifications are subject to change without prior notice.