

# Three-phase On-grid String Inverter

SPI5K-B/SPI6K-B /SPI8K-B/SPI10K-B/SPI12K-B



## Features

### Efficient and Flexible

- 2 independent MPPT, more generation
- Advanced control algorithms and high adaptation ability to the grid, improving the stability of power generation system

### Safe and Reliable

- IP65 for outdoor application
- Integrated AC/DC full lightning protection
- All industrial grade electronic device, ensure 25 years full life circle running

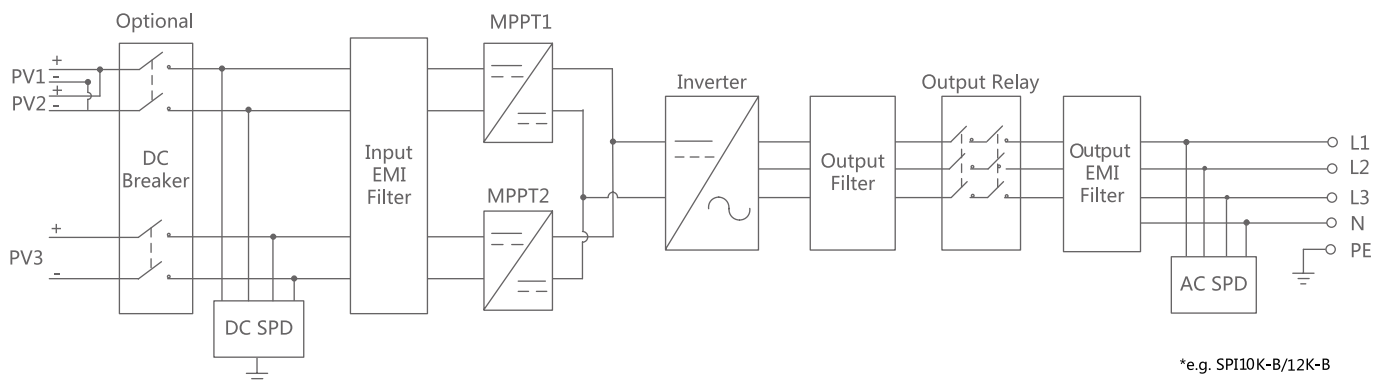
### Intelligent Management

- I&V Intelligent diagnosis, accurate identification and positioning of abnormal PV panels
- Support RS485, Wifi, GPRS communication
- Remote online upgrade, convenient and efficient

### Grid Friendly

- Grid-connected current harmonics <3%, green adapts to grid
- Ultra wide grid voltage range, with LVRT function

## Function Diagram



## Technical Specification

Items	SPI5K-B	SPI6K-B	SPI8K-B	SPI10K-B	SPI12K-B
<b>DC Input</b>					
Max. PV input voltage	1000Vdc				
Rated PV voltage	600Vdc				
Max. PV input current	22A (2x11A)	22A (2x11A)	33A (3x11A)	33A (3x11A)	22A (2x11A)
No. of MPPTs	2	2	2	2	2
No. of PV strings per MPPT	1/1	1/1	2/1	2/1	1/1
MPPT voltage range	200Vdc~950Vdc				
Starting voltage	200Vdc				
<b>AC Input</b>					
Rated AC output power	5kW	6kW	8kW	10kW	12kW
Max. output power	5.5kW	6.6kW	8.8kW	11kW	13.2kW
Rated AC output voltage	380/400/415Vac				
Rated output current	7.3A	8.7A	11.6A	14.5A	17.4A
Max. output current	8.0A	9.6A	12.8A	15.9A	19.1A
Rated grid frequency	50Hz/60Hz				
Grid frequency range	45~55Hz/55~65Hz				
Power factor	>0.99 (full load)				
Adjustable power factor	0.8 (leading)~0.8 (lagging)				
THDi	<3% (rated power)				
<b>Efficiency</b>					
Max. efficiency	98.50%				
European efficiency	98.00%				
<b>Protection</b>					
Anti-islanding	Yes				
DC reversed connection	Yes				
AC short circuit protection	Yes				
Temperature protection	Yes				
Surge protection	Yes				
PV fault detect	Yes				
DC switch	Optional				
<b>General</b>					
Dimensions (WxHxD)	480x420x180mm				
Weight	23kg				
IP grade	IP65				
Noise level	<30dB				
Self-consumption at night	<1W				
Cooling type	Natural cooling				
Altitude	4000m (>3000m derating)				
Operating temperature	-25°C~+60°C				
Relative humidity	0~95% (Non-condensation)				
Display	LCD+LED				
Communication	RS485/WiFi/GPRS/DRM(Australia)				
DC terminal	MC4 Terminal				
AC terminal	OT Terminal				
Installation method	Wall-mounted				
Standard	EN62109-1, EN62109-2 NB/T32004, AS3100, AS4777, EN 61000-6-2, EN 61000-6-3, IEC 62116:2014, IEC 61727:2004, IEC 60068-2-1:2007, IEC 60068-2-2:2007, IEC 60068-2-14:2009, IEC 60068-2-30:2005				

\*Specifications are subject to change without prior notice.