

Three-phase On-grid String Inverter

SPI12K-BL/SPI15K-B/SPI17K-B/SPI20K-B



Features

Efficient and Flexible

- 2 independent MPPT, more generation
- Advanced control algorithms and high adaptation ability to the grid, improving the stability of power generation system

Safe and Reliable

- IP65 for outdoor application
- Integrated AC/DC full lightning protection
- All industrial grade electronic device, ensure 25 years full life circle running

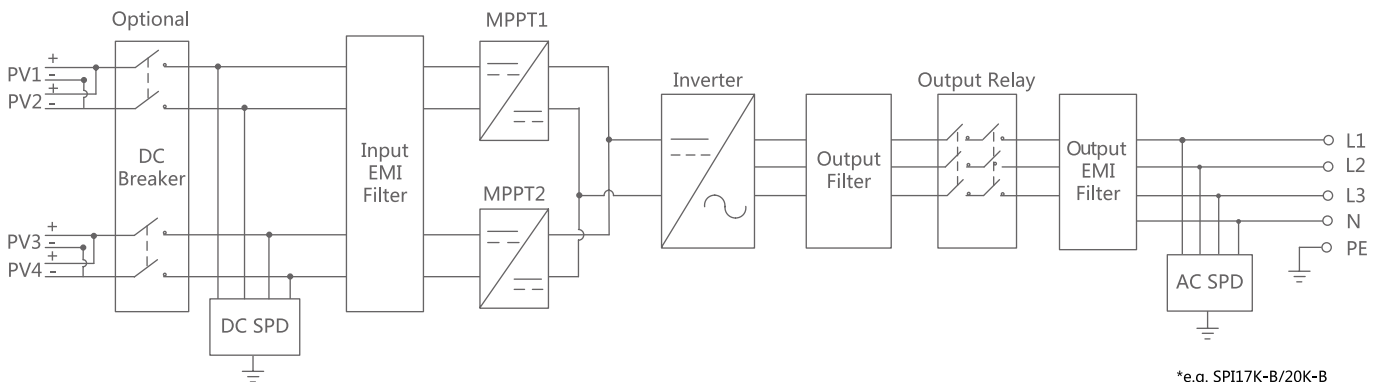
Intelligent Management

- I&V Intelligent diagnosis, accurate identification and positioning of abnormal PV panels
- Support RS485, Wifi, GPRS communication
- Remote online upgrade, convenient and efficient

Grid Friendly

- Grid-connected current harmonics <3%, green adapts to grid
- Ultra wide grid voltage range, with LVRT function

Function Diagram



Technical Specification

Items	SPI12K-BL	SPI15K-B	SPI17K-B	SPI20K-B
DC Input				
Max. PV input voltage	1000Vdc			
Rated PV voltage	600Vdc			
Max. PV input current	44A(2x22A)	44A(2x22A)	44A(2x22A)	44A(2x22A)
No. of MPPTs	2	2	2	2
No. of PV strings per MPPT	2/2	2/2	2/2	2/2
MPPT voltage range	200Vdc~950Vdc			
Starting voltage	200Vdc			
AC Output				
Rated AC output power	12kW	15kW	17kW	20kW
Max. output power	13.2kW	16.5kW	18.7kW	22kW
Rated AC output voltage	380/400/415Vac			
Rated output current	17.4A	21.7A	24.6A	29.0A
Max. output current	19.1A	23.9A	27.1A	31.9A
Rated grid frequency	50Hz/60Hz			
Grid frequency range	45~55Hz/55~65Hz			
Power factor	>0.99 (full load)			
Adjustable power factor	0.8 (leading)~0.8 (lagging)			
THDi	<3% (rated power)			
Efficiency				
Max. efficiency	98.50%		98.60%	
European efficiency	98.00%		98.30%	
Protection				
Anti-islanding	Yes			
DC reversed connection	Yes			
AC short circuit protection	Yes			
Temperature protection	Yes			
Surge protection	Yes			
PV fault detect	Yes			
DC switch	Optional			
General				
Dimensions (WxHxD)	480x420x180mm			
Weight	25kg			
IP grade	IP65			
Noise level	<50dB			
Self-consumption at night	<1W			
Cooling type	Intelligent forced air cooling			
Altitude	4000m (>3000m derating)			
Operating temperature	-25°C~+60°C(>45°C derating)			
Relative humidity	0~95% (Non-condensation)			
Display	LCD+LED			
Communication	RS485/WiFi/GPRS/DRM (Australia)			
DC terminal	MC4 Terminal			
AC terminal	OT Terminal			
Installation method	Wall-mounted			
Standard	EN62109-1, EN62109-2 NB/T32004, AS3100, AS4777, EN 61000-6-2, EN 61000-6-3, IEC 62116 IEC 61727, IEC 60068-2-1, IEC 60068-2-2, IEC 60068-2-14, IEC 60068-2-30			

*Specifications are subject to change without prior notice.