

Datasheet



ATESS
HPS5000TLS
HPS7500TLS
HPS10000TLS

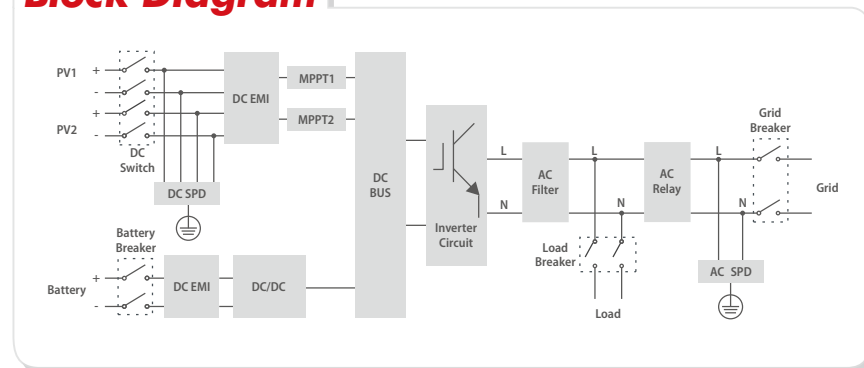
Overview

5-10kW single phase all-in-one hybrid inverter for home, school or villa application

Features

- All in one hybrid inverter
- Seamless on/off grid transfer
- Compact design
- Support remote control of DG
- Touchscreen LCD
- Programmable working mode

Block Diagram



ATESS HPS5000TLS ATESS HPS7500TLS ATESS HPS10000TLS

AC (Grid-connected)

Apparent power	6.25kVA	9.4kVA	12.5kVA
Rated power	5kW	7.5kW	10kW
Rated voltage	230V	230V	230V
Rated current	21.5A	32.6A	43.4A
Voltage range	210V - 250V	210V - 250V	210V - 250V
Rated frequency	50/60Hz	50/60Hz	50/60Hz
Frequency range	47~51.5/57~61.5Hz	47~51.5/57~61.5Hz	47~51.5/57~61.5Hz
THDI	<3%	<3%	<3%
PF	0.8lagging~0.8leading	0.8lagging~0.8leading	0.8lagging~0.8leading
AC connection	L/N/PE	L/N/PE	L/N/PE

AC (Off-grid)

Apparent power	6.25kVA	9.4kVA	12.5kVA
Rated power	5kW	7.5kW	10kW
Rated voltage	230V	230V	230V
Rated current	21.5A	32.6A	43.4A
THDU	≤2%linear	≤2%linear	≤2%linear
Rated frequency	50/60Hz	50/60Hz	50/60Hz
Overload capability	110%-10 mins 120%-1 min	110%-10 mins 120%-1 min	110%-10 mins 120%-1 min

DC (Battery and PV)

Max. PV Open-circuit voltage	600V	900V	900V
Recommended PV power	6kWp	9kWp	12kWp
PV MPPT voltage range	125V-550V	370V-720V	370V-720V
Number of MPPT	2	2	2
Recommended rated battery voltage	300V	350V	450V
Battery voltage range	85-500V	280-700V	280-700V
Full load battery voltage range	250-500V	300-700V	400-700V
Max. charge/discharge power	5kW	7.5kW	10kW
Max. charge/discharge current	25A	25A	25A

General Information

Protection devices	PV DC switch, battery breaker and fuse, PV fuse, grid breaker, load breaker		
Protection degree	IP65	IP65	IP65
Noise emission	<65dB(A)@1m	<65dB(A)@1m	<65dB(A)@1m
Operating temperature	-25 °C~+55 °C	-25 °C~+55 °C	-25 °C~+55 °C
Cooling	Forced-air	Forced-air	Forced-air
Relative humidity	0-95% non-condensing	0-95% non-condensing	0-95% non-condensing
Maximum altitude	6000m (derate over 3000m)	6000m (derate over 3000m)	6000m (derate over 3000m)
Dimension (W/H/D)	600/700/250mm	600/700/250mm	600/700/250mm
Weight	50kg	50kg	50kg
Topology	Transformerless	Transformerless	Transformerless
Lighting protection	Type II	Type II	Type II
Transfer between on/off grid	Automatic≤20ms	Automatic≤20ms	Automatic≤20ms
Standby consumption	<20W	<20W	<20W

Communication

Display	Touch screen	Touch screen	Touch screen
Communication	RS485/CAN	RS485/CAN	RS485/CAN