

Three Phase On-grid Inverter 40-60 kW

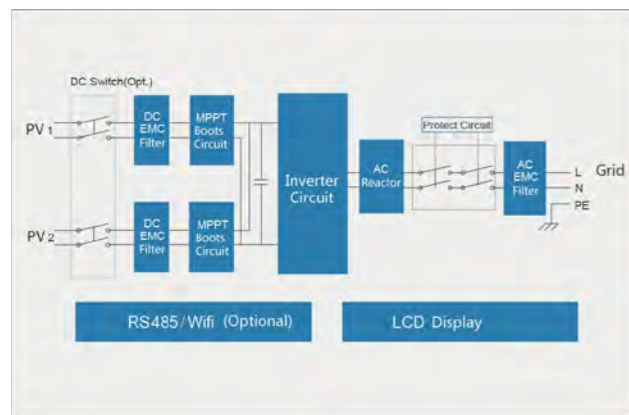


Feature

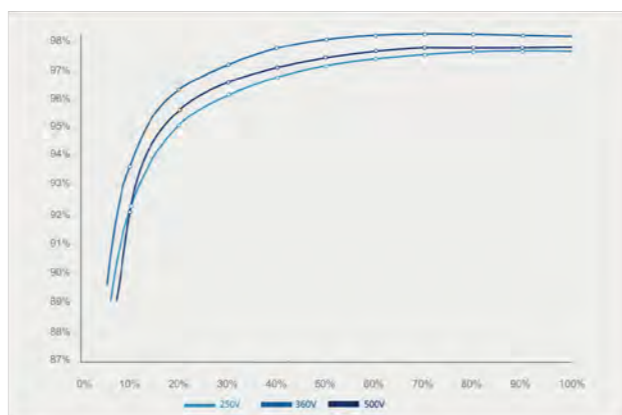
- Intelligent control, 20% more DC input, 10% AC over-load ability
- Intelligent real-time monitoring of DC connectors, much safer
- Up to 300V AC output voltage, suitable for unstable grid. Maximum 1100V DC input voltage

ST40/50/60KTL-M

DIAGRAM



EFFICIENCY



Inverter Model	ST40KTL-M	ST50KTL-M	ST60KTL-M
Input(DC)			
Max DC power	48000 W	60000 W	72000 W
Max DC voltage	1100 V		
Start voltage	160 V		
MPPT voltage range	200-950 V		
Rated input voltage	650 V		
Number of MPPTs	3		
Max number of strings	4+4+4		
Max input current per MPPT	44A		
Max short-circuit current per MPPT	50A		
Output(AC)			
Rated output power	40KW	50KW	60KW
Rated output voltage	3/N/PE~230V/400V		
AC voltage range	340~480 V(Conform to local standards)		
Rated AC grid frequency	50Hz/60Hz		
Max output current	58A	73A	87A
Adjustable power factor	0.8leading-0.8lagging		
Max total harmonic distortion(THD)	<3%		
Efficiency			
Max efficiency	98.40%	98.60%	98.80%
Euro efficiency	98.20%	98.30%	98.50%
MPPT efficiency	>99.9%		
Protection			
DC Switch	Yes		
DC reverse polarity protection	Yes		
DC surge protection	Yes		
Insulation monitoring	Yes		
AC overcurrent protection	Yes		
AC surge protection	Yes		
Anti-islanding protection	Yes		
Residual current monitoring	Yes		
General data			
Operating temperature range	-25℃ ~ +60℃		
Relative operating humidity	0% RH ~ 100% RH		
Operating altitude	0~4,000 m (Derating above 2000 m)		
Cooling	Fans		
Display	LED + LCD		
Communication	RS485/WiFi(opt.)/GPRS(opt.)		
Dimension(W*H*D)	620/795/225 mm		
Weight(incl. mounting bracket)	75 kg		
Degree of protection	IP65		
Warranty	5 years/10 years(opt.)/15 years(opt.)		
Standards(more available upon request)			
Certificates	TUV/CE: EN 62109; EMC: EN 61000、IEC 62116; CQC: NB/T 32004		
Grid connection standards	VDE 4105、VDE 0126、VDE 0124、VDE 4110、VDE 4120、EN50549		