

UB Ground Mounting System



Introduction

UB Ground Mounting System is applicable for photovoltaic array systems to be installed on open fields. This racking system is specially designed with features of high stability and safety, complied with Computational Structure Mechanics and architectural design. It is available to be modified to suit for different types of foundations, such as cement block with pre-buried screw, directly buried, and ground screw. All materials used, such as hot-dip galvanized steel, stainless steel 304 and anodized aluminum alloy, are highly resistant to corrosion thus are suitable for outdoor plants.

Component parts are pre-cut and pre-assembled before delivery, so it greatly helps customers to save onsite mounting time and cost.

Product Advantages

*Easy Installation

Pre-assembled component parts help to save onsite mounting time.

*Wide Application

With consideration of different installation conditions, it's designed with flexible adjustability.

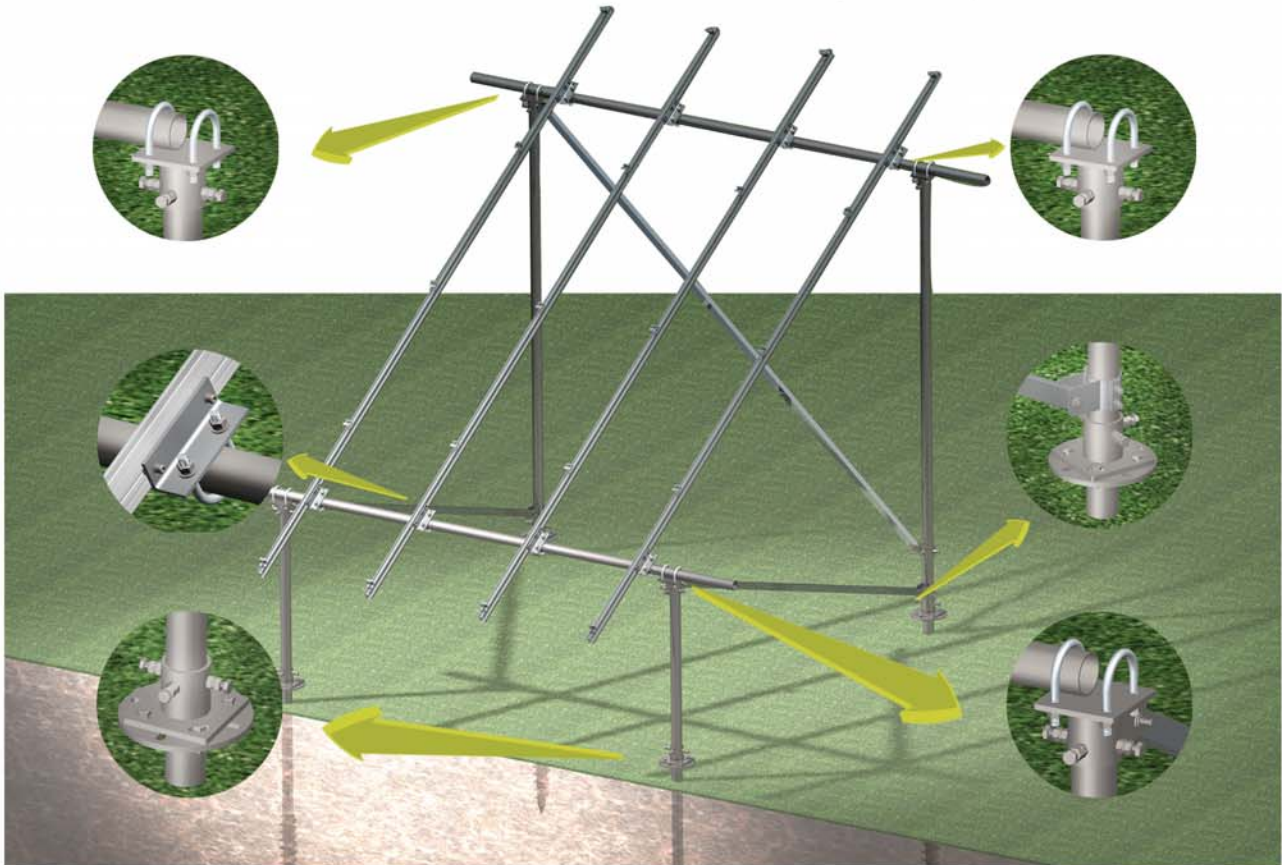
*Safety and Reliability

Safety-first and Quality-oriented is our production philosophy. This system is designed in accordance with standards TUV, AS/NZS1170 and JISC8955 2008, and is accredited with ISO Quality Management System Certification, so quality is highly ensured.



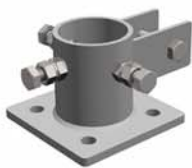
Spec.	Descriptions
Installation Site	Open Field
Tilt Angle	0° ~ 45°
Ground Clearance	<3m
Wind Load	46m/s(JIS)
Snow Load	1.5KN/m ²
Standard	JIS C8955:2008
Materials	Aluminum alloy
Other Components	Galvanized Steel, SUS304
Anticorrosive	Anodized aluminum and Galvanized

UB Ground Mounting System



Specifications

Main Materials	Stainless Steel
Surface Treatment	Galvanized, Dacromet



GM-TCK-01
Cap#1



GM-TCK-02
Cap#2



GM-PS
Sleeve



GM-LC-01
L-Shape Connector
with U Bolt

20
years
duration

12
years
warranty



GM-TCP
Cross Beam



GM-76-1600-T3
Ground Screw



GM-R-05
Rail



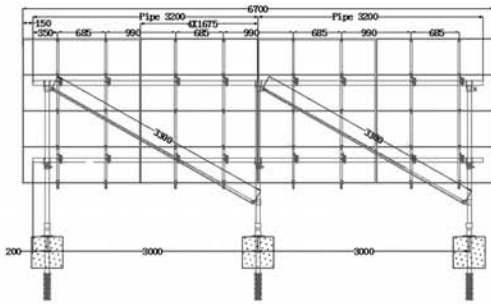
GM-CPC-01
Connector

UB Ground Mounting System

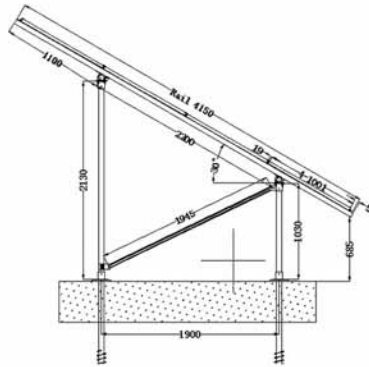
Concrete Case Demo.

Ground Screw

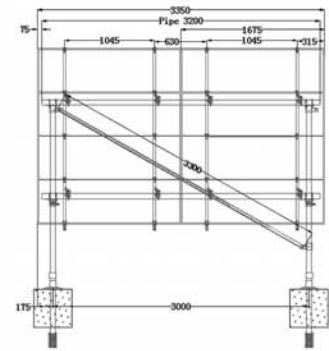
Module Size	1675*1001*45mm	Ground Clearance	500mm
Tilt Angle	30°	Wind Load	38m/s (JIS)
Foundation	Concrete Foundation		
Module Array	4*2PCS/SET, 4*4PCS/SET		
Installation Site	Open Field		



Array: 4*2 PCS/SET



Array: 4*4 PCS/SET



Back View

20
years
duration

12
years
warranty

Item No.	Description	Size	Qty	
			4*2	4*4
GM-R-05	Rails	4150mm	4pcs	8pcs
GM-MC-40	Mid Clamp	40mm	12pcs	24pcs
GM-EC-40	End Clamp	40mm	8pcs	16pcs
GM-UB-76	U Bolt	M12x76	16pcs	28pcs
GM-TCP-1030	Front Leg	1030mm	2pcs	3pcs
GM-TCP-2130	Rear Leg	2130mm	2pcs	3pcs
GM-TEP-1945	Front and Rear Legs Strengthening Pipe	1945mm	2pcs	3pcs
GM-TEP-2760	Rear Legs Back Strengthening Bar	3300mm	1pcs	2pcs
GM-TCP-3000	Cross Beam	3200mm	2pcs	4pcs
GM-LC-01	L-Shaped Connector	50x50x150mm	8pcs	16pcs
GM-TAC-01	Cap1#	120x120x88mm	5pcs	7pcs
GM-TAC-02	Cap2#	120x120x88mm	3pcs	5pcs