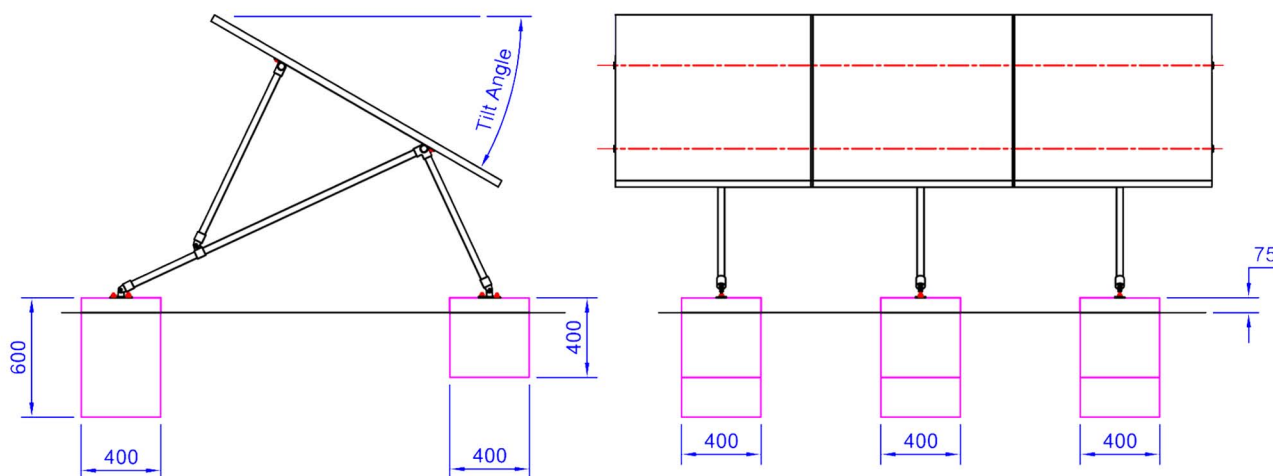


# Low Level Ground Mounts

## T-Type

One of the most versatile solutions for ground mounting solar modules, these kits are supplied with all fasteners required for mounting up to 5 modules, including M10 ground anchor bolts or ground poles for a non-foundation solution. The structure is manufactured from galvanised steel tubes that allow for a range of flexibility including un-even or sloped mounting surfaces.



Leg lengths can be easily shortened as required by cutting the poles on site. The whole structure can be assembled with the modules face down making it easier to assemble and pre-wire without the risk of high voltages being present. Even the tilt angle can be preset, so the structure can be turned over and bolted down. The tilt angle can easily be adjusted with the use of the provided hex key.

### Product Information

- Material: Pre-galvanised steel
- Fasteners: A4 stainless steel and galvanised steel
- Tilt Angles: 10° - 60°
- Suitable for: All modules over 50W