

## Aluminium Ground Mounting System--Portrait



### Technical Information

Install Site:	Open Field
Module Arrangement:	Portrait
Tilt Angle:	10-60° fixed angles
Material:	Anodized Aluminum & Stainless Steel 304
Max Wind Speed:	60m/s
Snow Load:	<1.4KN/m2
Foundation:	Concrete or Ground Screw
Standard:	AS/NZS 1170, Euro Code 8, DIN 1055, JIS C8955/C8956-2011, IBC2006
Warranty:	Ten year warranty and twenty years service life

The components of this system are made of high-quality aluminum and pre-assembled with stainless steel fastener. It highlights quick installation, delivered by preassembled parts, which highly minimized the installation processes.

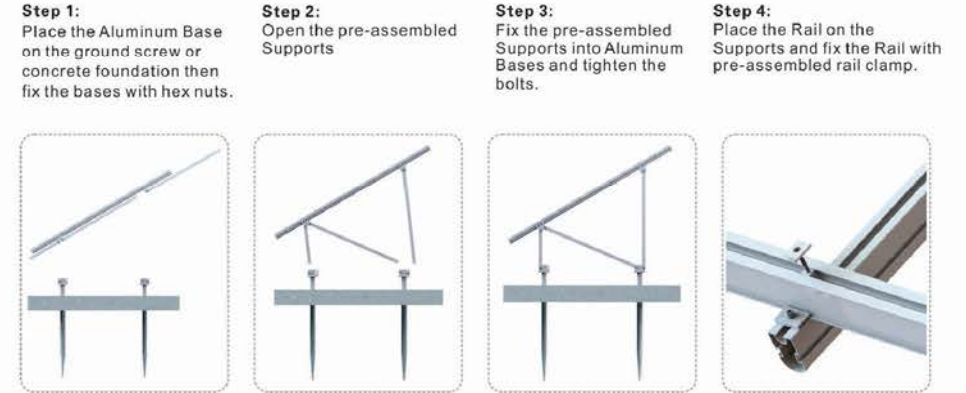


### Main Components



### Fast Installation

Just unfold the pre-assembled Triangle and fix with ground screw or concrete foundation, it just takes 4 steps to get the installation completed.



### Foundation Option



Ground Screw Foundation

Concrete Foundation



## Aluminium Ground Mounting System--Landscape



### Technical Information

Install Site:	Open Field
Module Arrangement:	Landscape
Tilt Angle:	10-60° fixed angles
Material:	Anodized Aluminum & Stainless Steel 304
Max Wind Speed:	60m/s
Snow Load:	<1.4KN/m2
Foundation:	Concrete or Ground Screw
Standard:	AS/NZS 1170, Euro Code 8, DIN 1055, JIS C8955/C8956-2011, IBC2006
Warranty:	Ten year warranty and twenty years service life

The components of this system are made of high-quality aluminum and pre-assembled with stainless steel fastener. It highlights quick installation, delivered by preassembled parts, which highly minimized the installation processes.

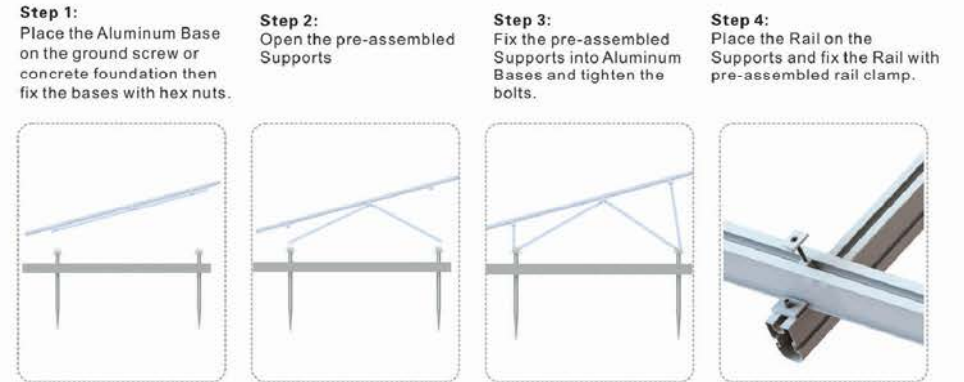


### Main Components



## Fast Installation

Just unfold the pre-assembled Triangle and fix with ground screw or concrete foundation, it just takes 4 steps to get the installation completed.



## Foundation Option

